

Boiler Feed Valves Pressure Reducing Valves, Dual Controls

Taco Boiler Feed Valves have set the standards for dependable service. Each valve is adjustable from 10 to 25 psi, has a built-in check to prevent the emptying of the system if incoming pressure fails, and the easy to use fast fill lever is lockable. The Dual Control combines the Boiler Feed with an in-line Pressure Relief Valve.



HYDRONIC COMPONENTS & SYSTEMS

Do it once.
Do it right. 

Submittal Data Information Pressure Reducing Valves, Dual Controls

Features

- Fast Fill Rate on All Models.
- Exclusive Fast Fill Lever Lock.
- Built-In Check to Prevent Emptying the System if Incoming Pressure Fails.
- Adjustable Set Pressure of 10 to 25 psi.
- Pressure Setting Adjustment Separated from Fast Fill Lever for Easy, Fast Adjustment.

Performance Data

Pressure Reducing Valves

- Maximum Fluid Temperature: 212°F (100°C)
- Maximum Supply Side Pressure: 100 psi (689kpa)
- Set Pressure Range: 10 - 25 psi (69 - 172kpa)
- Factory Setting of System Side: 12 psi (83kpa)

Performance Data

Dual Controls

- Maximum Fluid Temperature: 212°F (100°C)
- Maximum Supply Side Pressure: 100 psi (689kpa)
- Relief Valve Set to Release at: 30 psi (207kpa)

Connection Sizes

- Model 329: 1/2" Sweat Union Inlet, 1/2" NPT Outlet
- Model 329-T: 1/2" NPT Union Inlet, 1/2" NPT Outlet
- Model 335: 3/4" NPT Union Inlet, 3/4" NPT Outlet
- Model 334: 1/2" Sweat Union Inlet, 1/2" NPT Outlet
- Model 334-T: 1/2" NPT Union Inlet, 1/2" NPT Outlet

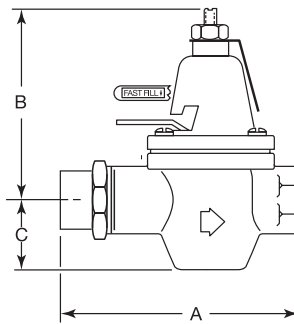
Purpose

To automatically feed water to a system whenever pressure in the system drops below the pressure setting of the valve. The Dual Control combines the Boiler Feed Valve with an in-line Pressure Relief Valve connected at the outlet end.

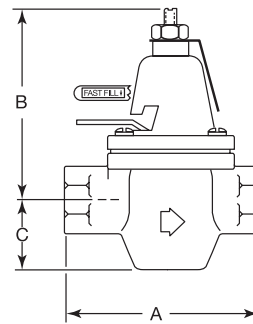
Pressure Reducing Valves Dimensions & Weights

Model	Material	A		B		C		Ship Wt.		Ship Wt. Ctn. 6	
		in.	mm	in.	mm	in.	mm	lbs.	Kg	lbs.	Kg
329	Cast Iron	4-1/4	108	3-3/4	95	1-3/8	35	2.4	1.4	30	14
329-T	Cast Iron	4-3/8	111	3-3/4	95	1-3/8	35	2.4	1.4	30	14
335	Bronze	3-3/4	95	3-3/4	95	1-3/8	35	2.4	1.4	30	14

Models 329 & 329-T



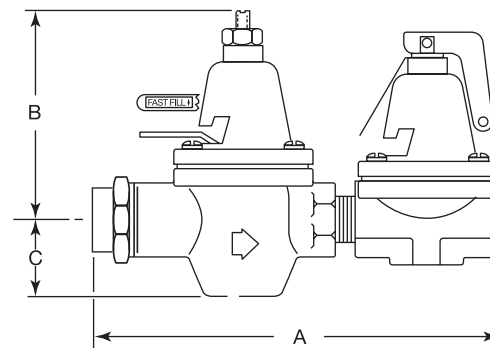
Model 335



Dual Controls Dimensions & Weights

Model	Material	A		B		C		Ship Wt.		Ship Wt. Ctn. 6	
		in.	mm	in.	mm	in.	mm	lbs.	Kg	lbs.	Kg
334	Cast Iron	7-1/4	184	3-3/4	95	1-3/8	35	3.9	1.8	24	11
334-T	Cast Iron	7-3/8	187	3-3/4	95	1-3/8	35	3.9	1.8	24	11

Models 334 & 334-T



HYDRONIC COMPONENTS & SYSTEMS

