



Submittal Data Information

101-060

5000 Series Mixing Valve

Effective: March 1, 2006

Supersedes: April 15, 2004

Job: _____ Engineer: _____ Contractor: _____ Rep: _____

ITEM NO.	MODEL NO.	

Features

- Fail-Safe on Hot or Cold Supply Failure
- Delivers Stable Mixed Water Temperature
- ASSE 1017 Certified
- High Flow
- Low Headloss
- Dual Purpose Mixing or Diverting Valve
- Extended Mix Temperature Range of 85°-150°F
- Ideal for Domestic Water and Radiant Applications
- Tamper-Proof Cap
- Available 1/2", 3/4", 1"

Performance

CV*:	1/2"	3.3
	3/4"	3.5
	1"	3.8
Max. Flow:	1/2"	18 gpm
	3/4"	20 gpm
	1"	24 gpm
Max. Inlet Temperature:	210°F (100°C)	
Max. Inlet Pressure:	200 psi (13.8 bar)	
Min. Working Pressure:	1.5 psi (0.1 bar)	
Max. Differential Pressure Between Hot & Cold:	5:1	
Min. Temperature Differential Between Hot Supply and Outlet:	20°F (6.7°C)	
Controlled Outlet Temp.:	85°-150°F (29°-66°C)	
Factory Temp. Setting:	130°F	
Maintains Constant Outlet Temperature to:	±5°F (±3°C)	

* (Flow curves available from factory upon request)

Materials

- Body: Cast Gunmetal, Nickel Plated
- Internal Components: DZR Brass
- Seals: Viton
- Spring: Stainless Steel
- Piston: Polysulfone Polymer
- Fittings: DZR Brass, Copper (1")
- Gaskets: EPDM

Approvals

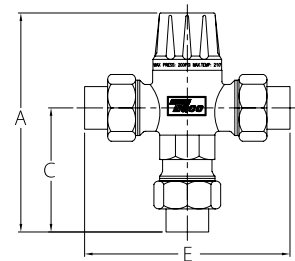
- ASSE 1017
- BS1415 Part 2
- cUPC Listed - CSAB125.3
- ISO 9001 Manufacturing Facility

Application

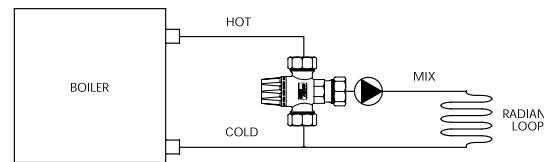
The 5000 Series Mixing Valve is a dual purpose mixing or diverting valve. It is ASSE 1017 approved, providing shut-off reliability on either a hot or cold water supply failure. The high flow and low headloss characteristics make the 5000 Series ideal for domestic water, radiant applications, installations with large variations in flow rate and supply conditions, and installations requiring tightly controlled water temperature. The valve's unique design and advanced thermostatic element ensures a stable mixed water temperature throughout the extended 85°-150°F range. The 5000 Series provides fail-safe security and the ultimate performance in a mixing valve.

5000 Series Mixing Valve Dimensions

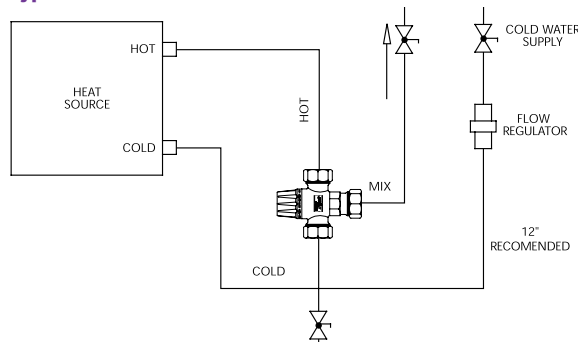
Product Number	Valve Size	A		C		E	
		IN.	MM	IN.	MM	IN.	MM
5002-C2	1/2" 15mm	5.00"	126.5mm	2.60"	66.0mm	4.45"	113.0mm
5003-C2	3/4" 20mm	5.15"	131.0mm	3.00"	76.0mm	4.80"	122.0mm
5004-C2	1" 25mm	6.25"	159.0mm	4.10"	104.0mm	7.10"	180.0mm



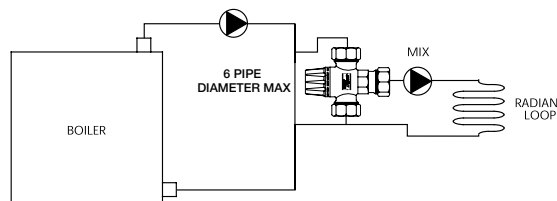
Low Temperature or Radiant Installation



Typical Domestic Water Installation



Primary/Secondary Installation



Do it Once. Do it Right.®

Taco, Inc., 1160 Cranston Street, Cranston, RI 02920 Telephone: (401) 942-8000 Fax: (401) 942-2360
 Taco (Canada), Ltd., 6180 Ordan Drive, Mississauga, Ontario L5T 2B3 Telephone: (905) 564-9422 Fax: (905) 564-9436

Printed in USA
 Copyright 2006
 TACO, Inc.