

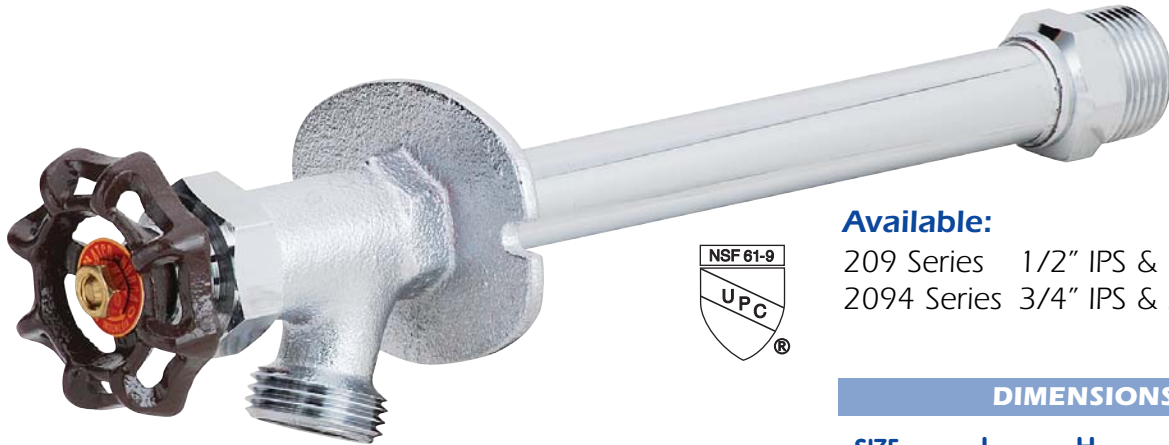
# 209 FROST FREE SILLCOCK



- ❖ Chrome Plated Brass Body & Tube
- ❖ 1/2" & 3/4" Sizes
- ❖ For Wall Thickness 4" - 14"

**150 PSI CWP**

ISO 9001:2000

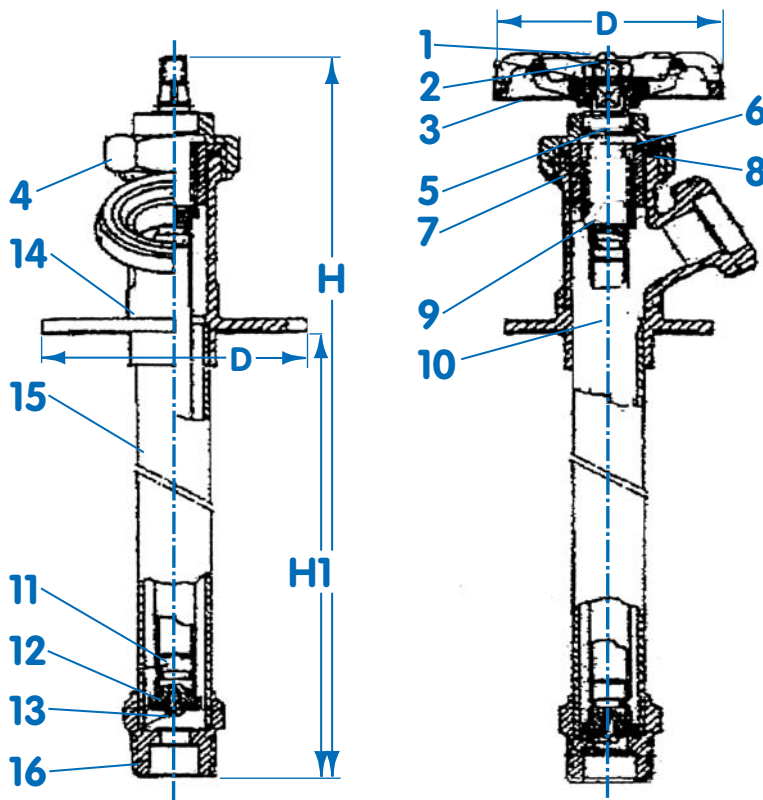


**Available:**

209 Series 1/2" IPS & 1/2" Sweat  
 2094 Series 3/4" IPS & 3/4" Sweat

**DIMENSIONS**

SIZE	L	H	H1	D
4"	2.60	8.27	3.78	2.11
6"	2.60	10.24	5.87	2.11
8"	2.60	12.21	7.88	2.11
10"	2.60	14.18	9.85	2.11
12"	2.60	16.15	11.82	2.11
14"	2.60	18.12	13.91	2.11



**MATERIAL SPECIFICATIONS**

NO.	Part	Material
1	Nut	Iron
2	Name Plate	Aluminum
3	Handle	Cast Iron
4	Bonnet	Brass
5	O Ring	Rubber
6	Stem	Brass
7	Packing	PVC
8	Gland Packing	Rubber
9	Hole Stem	Brass
10	Pipe Stem	Brass
11	House Seat	Brass
12	Seat Packing	Rubber
13	Seat Pack, Screw	Brass
14	Body	Brass
15	Drain Pipe	Brass
16	Drain Bolt	Brass

Product Spec Sheet



**Brewster, NY**  
 TEL: 800-431-2082  
 FAX: 800-640-2252

**Houston, TX**  
 TEL: 800-935-5456  
 FAX: 800-683-4247

**La Palma, CA**  
 TEL: 866-532-8306  
 FAX: 866-532-8307

**Americus, GA**  
 TEL: 800-433-7526  
 FAX: 800-533-5134