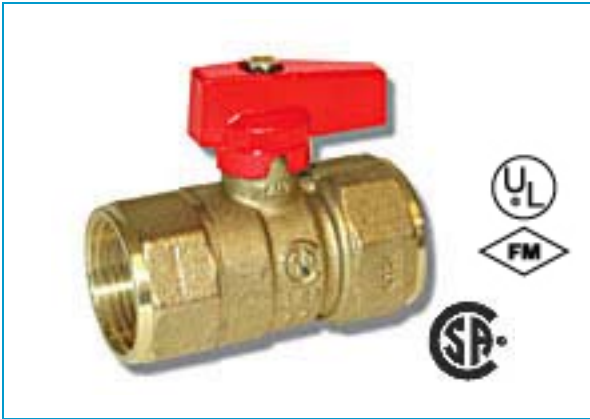


58LGAN Gas Valve • Spec Sheet

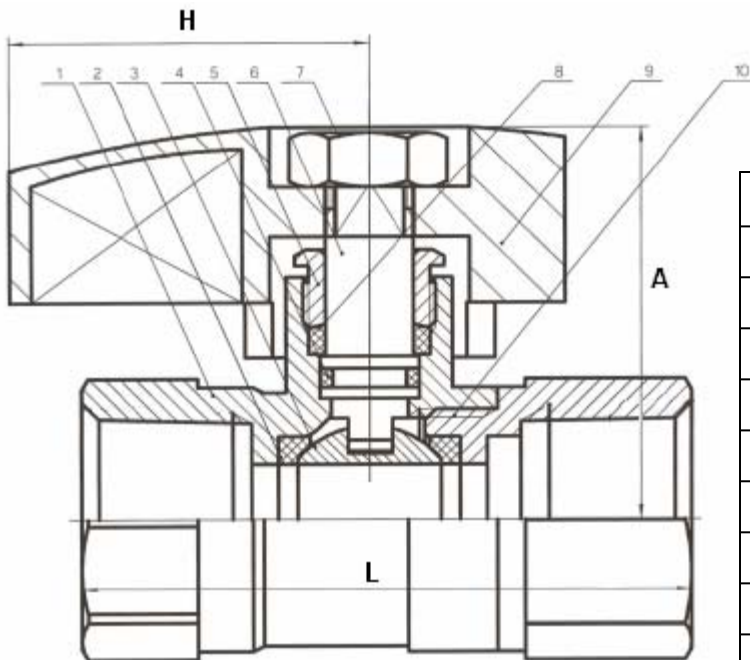


FEATURES & BENEFITS

- Economy Valve
- ISO 9002
- Gas Ball Valve
- 1/2 PSIG and 5 G
- CSA Approved
- UL/FM Approved
- Available in Lever-Tee Head or Flat
- Sizes - FIP x FIP 3/8" - 1"

DIMENSIONS

Part #	Size	L	H	A
58LGA3N	1/2"	2.17	1.28	1.42
58LGA4N	3/4"	2.34	1.28	1.54
58LGA5N	1"	2.88	1.28	1.69



MATERIAL SPECIFICATIONS

No.	Part	Material
1	Body	Brass C37700
2	Sealing Washer	PTFE
3	Chrome Plated Ball	Brass C3700
4	O-Ring*	NBR
5	Packing Nut	Brass C3700
6	Stem	Brass C3700
7	Handle Nut	Chrome Plated Steel
8	Ball Packing	PTFE
9	Handle	Aluminum Alloy
10	Cap	Brass C3700

*58LGA5N Does Not Contain This Part

 **MATCO-NORCA**
Global sourcing. National compliance. Local service.

NEW YORK PO Box 27, Rt. 22, Brewster NY 10509 • Toll Free: 800-431-2082 • Fax: 845-278-9056
TEXAS 1150 Silber Rd., Houston TX 77055 • Toll Free: 800-935-5456 • Fax: 713-680-2999
CALIFORNIA 5593 Fresca Dr., La Palma CA 90623 • Toll Free: 866-532-8306 • Fax: 866-532-8307
 WEB: www.matco-norca.com EMAIL: mail@matco-norca.com