

**For Residential and Commercial Applications**

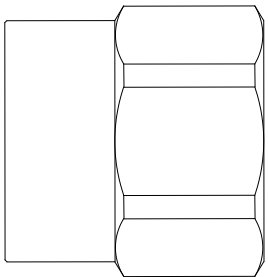
Job Name		Engineer / Architect	
Job Location		Wholesaler	
Submittal Date		Contractor	

## HU11 Series Female Iron Pipe x Female Hose Thread Swivel Adapter

**Use:** For use with residential and commercial grade garden hose. All female hose thread connections require a rubber washer (included) inserted prior to installation

**Operating Specifications:**

**Temperature:** -35° to 100° F  
**Working Pressure:** 75 PSI maximum, intermittent to 150 PSI

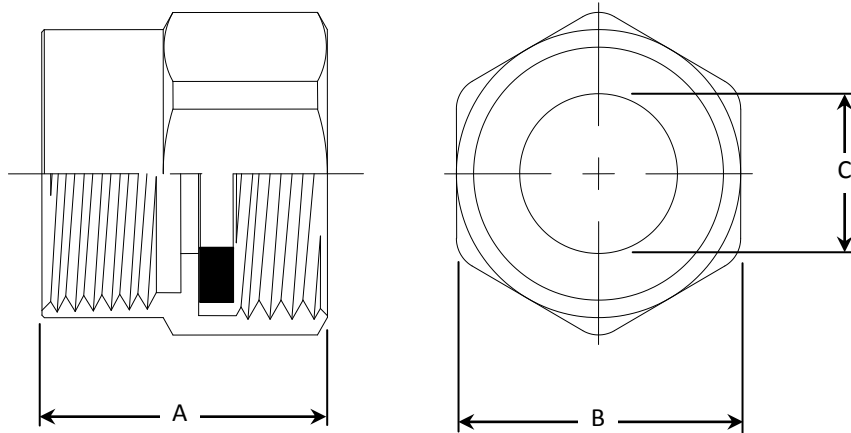


<b>MATERIAL SPECIFICATIONS</b>	
<b>Fitting Body</b>	C36000 brass
<b>Rubber Washer</b>	EPDM

<b>PART DIMENSIONS (Inches)</b>				
<b>Model</b>	<b>Hose Thread</b>	<b>DIM. A</b>	<b>HEX. B</b>	<b>DIA. C</b>
HU11-8-12	3/4-11-1/2	1.13	1-1/8	.739
HU11-12-12	3/4-11-1/2	1.12	1-1/8	.922

**Part Listing:**

- HU11-8-12      1/2" F.I.P. x 3/4" Female Hose Thread
- HU11-8-12 B      1/2" F.I.P. x 3/4" Female Hose Thread, bulk
- HU11-12-12      3/4" F.I.P. x 3/4" Female Hose Thread
- HU11-12-12 B      3/4" F.I.P. x 3/4" Female Hose Thread, bulk



*This specification and all information contained herein is the confidential and exclusive property of BrassCraft Manufacturing, and shall not be disclosed to others without the written consent of BrassCraft. This specification must be returned to BrassCraft if requested.*

