

**For Residential and Commercial Applications**

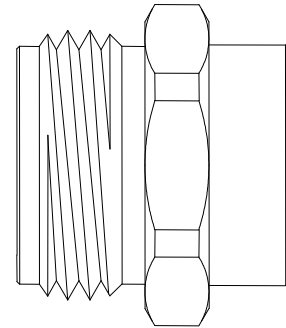
Job Name		Engineer / Architect	
Job Location		Wholesaler	
Submittal Date		Contractor	

## HU12 Series Female Iron Pipe x Male Hose Thread Adaptor

**Use:** For use with residential and commercial grade garden hose. All female hose thread connections require a rubber washer (sold separately) inserted prior to installation.

**Operating Specifications:**

- Temperature:** -35° to +180° F  
**Working Pressure:** 125 psi maximum

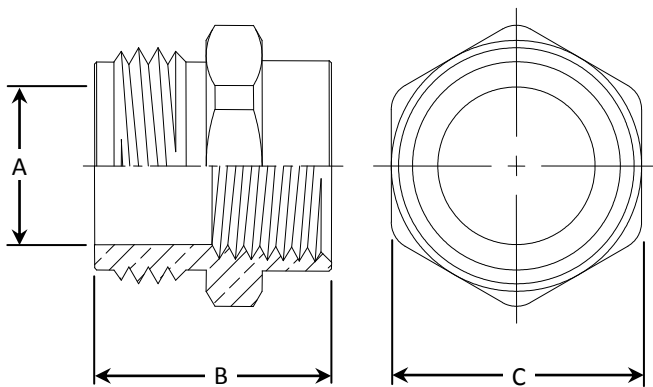


MATERIAL SPECIFICATIONS	
<b>Fitting</b>	<b>C36000 brass</b>

PART DIMENSIONS (Inches)			
Model	DIA. A	DIM. B	HEX. C
HU12-8-12	.703	1.06	1-1/8
HU12-12-12	.780	1.16	1-1/8

**Part Listing:**

- HU12-8-12      1/2" F.I.P. x 3/4" Male Hose Thread (3/4-11-1/2 Thread)
- HU12-8-12 B    1/2" F.I.P. x 3/4" Male Hose Thread (3/4-11-1/2 Thread), bulk
- HU12-8-12 CB    1/2" F.I.P. x 3/4" Male Hose Thread (3/4-11-1/2 Thread), chrome plated, bulk
- HU12-12-12     3/4" F.I.P. x 3/4" Male Hose Thread (3/4-11-1/2 Thread)
- HU12-12-12 B    3/4" F.I.P. x 3/4" Male Hose Thread (3/4-11-1/2 Thread), bulk



*This specification and all information contained herein is the confidential and exclusive property of BrassCraft Manufacturing, and shall not be disclosed to others without the written consent of BrassCraft. This specification must be returned to BrassCraft if requested.*

