

For Residential and Commercial Applications

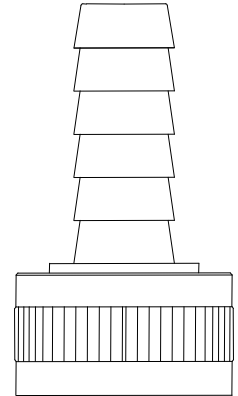
Job Name		Engineer / Architect	
Job Location		Wholesaler	
Submittal Date		Contractor	

HU126 Series Hose Barb to Female Swivel Hose Thread Adaptor

Use: Use hose barb to connect plastic or rubber tubing; installation requires a hose clamp. Use male hose threads to connect to residential and commercial grade garden hoses. Female hose thread connector end should have a rubber washer (PS2338) inserted prior to installation

Operating Specifications:

Temperature: -35° to 100°F
Working Pressure: 75 PSI maximum, intermittent to 150 PSI

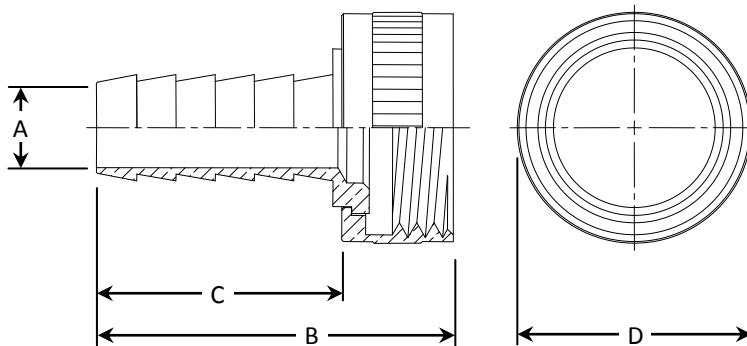


MATERIAL SPECIFICATIONS	
Nut	C36000 brass
Barbed Fitting	C36000 brass

PART DIMENSIONS (Inches)					
Model	Hose Thread	DIA. A	DIM. B	DIM. C	DIA. D
HU126-8-12	3/4-11-1/2	.406	1.80	1.24	1.19
HU126-10-12	3/4-11-1/2	.531	1.80	1.24	1.19
HU126-12-12	3/4-11-1/2	.625	1.80	1.24	1.19

Part Listing:

- HU126-8-12 1/2" I.D. Hose Barb x 3/4" Female Hose Thread
- HU126-10-12 5/8" I.D. Hose Barb x 3/4" Female Hose Thread
- HU126-12-12 3/4" I.D. Hose Barb x 3/4" Female Hose Thread



This specification and all information contained herein is the confidential and exclusive property of BrassCraft Manufacturing, and shall not be disclosed to others without the written consent of BrassCraft. This specification must be returned to BrassCraft if requested.

