



REPLACEMENT PARTS LIST
Residential Gas Atmospheric Vent
Damper Models



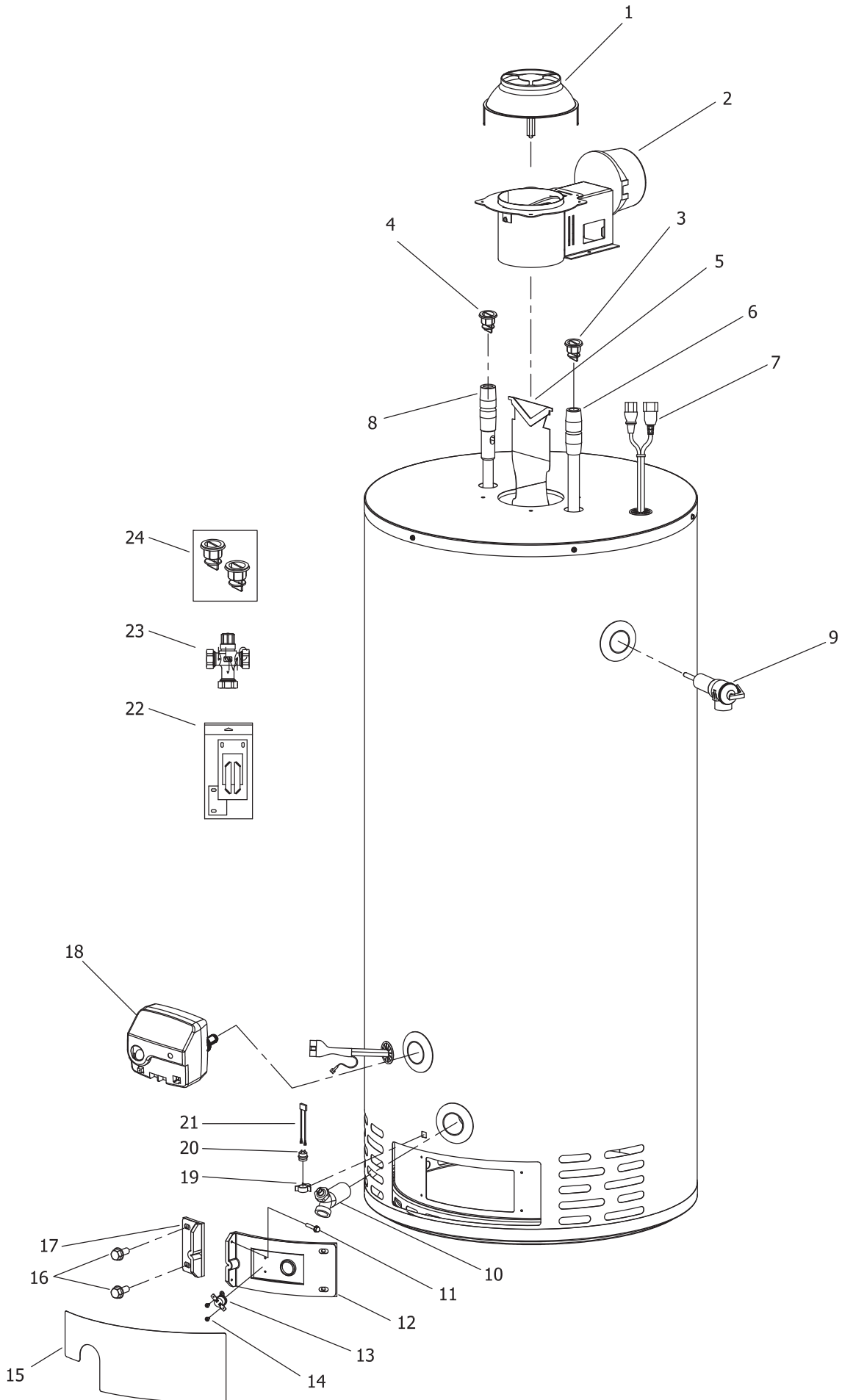
DEFENDER
SAFETY SYSTEM[®]

Includes Hydrojet[®]
Total Performance System

Effective: April, 2015
ECO 7950

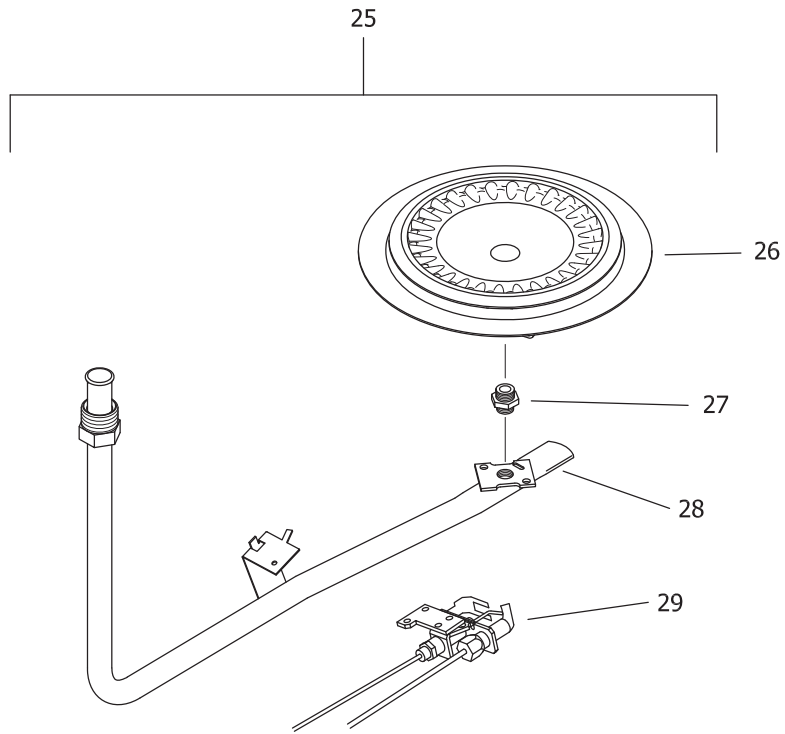
**NOTE: BOTH MODEL AND SERIAL
NUMBERS ARE REQUIRED FOR
ORDERING REPLACEMENT PARTS**

Dimensions and specifications
subject to change without notice.

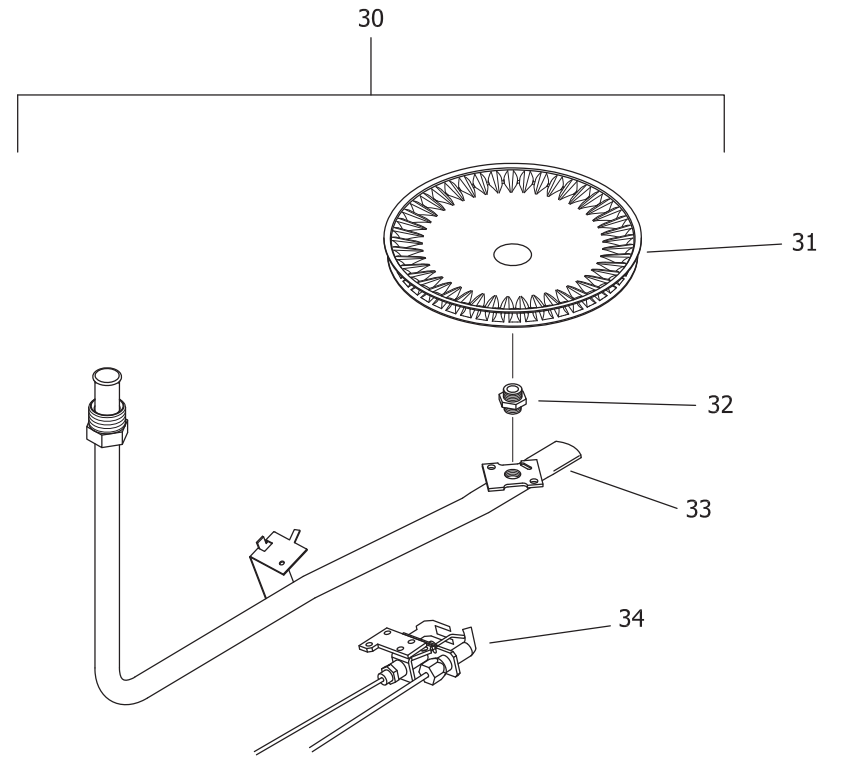


Item	Description	Model	Model	Model	Model
		RG1D30T*(N,X)	RG1D40S*(N,X)	RG1D40T*(N,X)	RG1D50T*(N,X)
1	Draft Hood	243-45787-00	243-45787-00	243-45787-00	243-45787-00
2	Flue Damper	265-50659-00	265-50660-00	265-50659-00	265-50659-00
3	Heat Trap Insert (Inlet)	239-51556-00	239-51556-00	239-51556-00	239-51556-00
4	Heat Trap Insert (Outlet)	239-45167-00	239-45167-00	239-45167-00	239-45167-00
5	Flue Baffle	243-44639-00	243-51285-00	243-50065-03	243-44705-00
6	Cold Water Inlet Dip Tube (PEX)▲▲	229-51230-19	229-51230-24	229-51230-21	229-51230-18
7	Safety Circuit Wire Harness	239-45617-02	239-45617-03	239-45617-02	239-45617-02
8	Hot Water Outlet Anode (Magnesium)▲#	224-47776-19	224-47776-19	224-47776-19	224-47776-19
	Hot Water Outlet (Aluminum)▲#	224-32999-42	224-32999-42	224-32999-42	224-32999-42
	Hot Water Outlet (A420 Aluminum)▲#	224-49560-08	224-49560-08	224-49560-08	224-49560-08
9	T&P Relief Valve	230-40594-02	230-40594-02	230-40594-02	230-40594-02
10	Brass Drain Valve	265-42351-02	265-42351-02	265-42351-02	265-42351-02
11	Screw-#8-18 x 3/4 HWH	239-44195-00	239-44195-00	239-44195-00	239-44195-00
12	Nat. Gas Right Side Inner Door Complete	239-43963-02	239-43963-07	239-43963-05	239-43963-07
	LP Gas Right Side Inner Door Complete	239-43963-02	239-43963-07	239-43963-05	239-43963-07
13	Nat. Gas Resettable Thermal Switch	239-43676-03	239-43676-02	239-43676-03	239-43676-02
	LP Gas Resettable Thermal Switch	239-43676-03	239-43676-02	239-43676-03	239-43676-02
14	Screw-#6-20 X 3/8	239-43967-00	239-43967-00	239-43967-00	239-43967-00
15	Outer Door	243-43962-00	243-43962-00	243-43962-00	243-43962-00
16	Screw-#10-12 x 3/4 HWH	239-44113-00	239-44113-00	239-44113-00	239-44113-00
17	Left Side Inner Door Complete	239-43968-14	239-43968-18	239-43968-16	239-43968-18
18	Gas Valve (Natural Gas)	239-48795-01	239-48795-01	239-48795-01	239-48795-01
	Gas Valve (LP Gas)	239-48796-01	239-48796-01	239-48796-01	239-48796-01
19	Flammable Vapor Sensor Clip	239-45648-00	239-45648-00	239-45648-00	239-45648-00
20	Flammable Vapor Sensor	239-45560-00	239-45560-00	239-45560-00	239-45560-00
21	Flammable Vapor Sensor Harness	243-50192-00	243-50192-00	243-50192-00	243-50192-00
22	Inner Door Gasket Kit	239-44078-00	239-44078-00	239-44078-00	239-44078-00
23	ASSE Approved Mixing Valve (Optional)	239-43740-01	239-43740-01	239-43740-01	239-43740-01
24	Heat Trap Insert kit	265-51572-00	265-51572-00	265-51572-00	265-51572-00

▲ Order with item 4.
▲▲ Order with item 3.
#Anodes may need to be cut to length.



NATURAL GAS (BN) BURNER ASSEMBLY



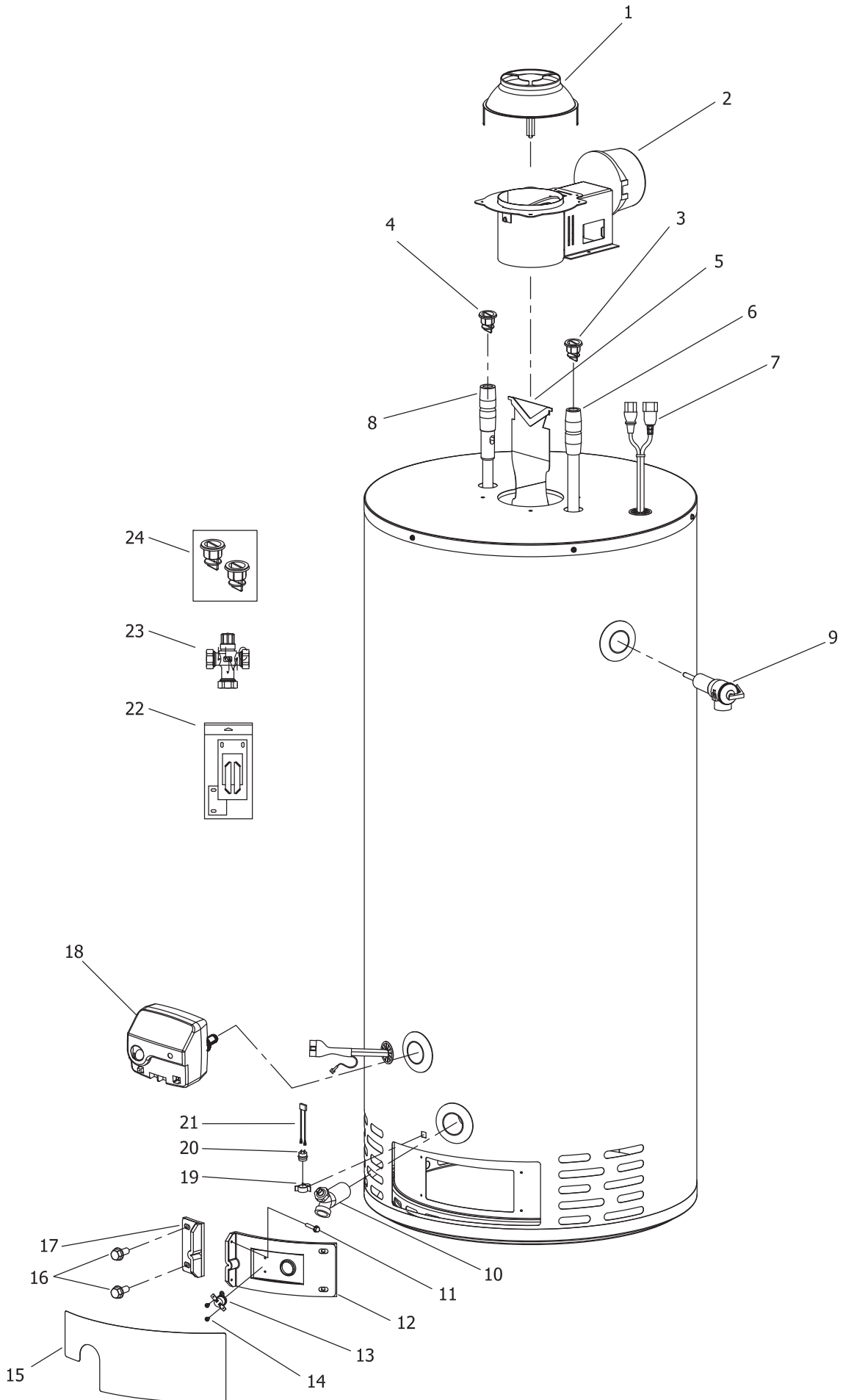
LP GAS (SX) BURNER ASSEMBLY

Item	Description	Model RG1D30T*(N,X)	Model RG1D40S*(N,X)	Model RG1D40T*(N,X)	Model RG1D50T*(N,X)
Natural Gas (BN) Burner Assembly					
25	Nat Gas Burner Assembly Complete***	265-47439-17-36	265-47439-06-32	265-47439-18-32	265-47439-06-32
26	Nat. Gas (N) Burner**	228-42506-00	228-42506-00	228-42506-00	228-42506-00
27	Nat. Gas (N) Main Burner Orifice 0 Ft. to 2,000 Ft. **	234-41034-36	234-41034-32	234-41034-32	234-41034-32
	Nat. Gas (N) High Altitude Orifice 0 Ft. to 7,000 Ft. (-475 model suffixes) **	234-41034-41	234-41034-36	234-41034-36	234-41034-36
	Nat. Gas (N) High Altitude Orifice Kit 7,001 Ft. to 10,000 Ft.	265-51311-02-43	265-51311-02-40	265-51311-02-40	265-51311-02-40
28	Feedline (N)	233-45615-07	233-45615-01	233-45615-06	233-45615-01
29	Nat. Gas Pilot Assembly**	233-45653-05	233-45653-05	233-45653-05	233-45653-05
LP Gas (SX) Titanium Stabilized Stainless Steel Burner Assembly					
30	LP Gas Burner Assembly Complete***	265-47440-26-60	265-47440-09-50	265-47440-27-52	265-47440-09-51
31	LP Gas (X) Burner**	228-46964-00	228-46964-00	228-46964-00	228-46964-00
32	LP Gas (X) Main Burner Orifice 0 Ft. to 2,000 Ft. **	234-47064-60	234-47064-50	234-47064-52	234-47064-51
	LP Gas (X) High Altitude Orifice 0 Ft. to 7,000 Ft. (-475 model suffixes) **	234-47064-54	234-47064-52	234-47064-53	234-47064-52
	LP Gas (X) High Altitude Orifice Kit 7,001 Ft. to 10,000 Ft.	265-51367-02-54	265-51367-02-53	265-51367-02-54	265-51367-02-54
33	Feedline (X)	233-47109-06	233-47109-01	233-47109-05	233-47109-01
34	LP Gas Pilot Assembly**	233-45653-04	233-45653-04	233-45653-04	233-45653-04
	LP to Nat. Gas Conversion Kit	265-46493-117	265-46493-02	265-46493-119	265-46493-02
	LP to Nat. Gas High Altitude Conversion Kit	265-46493-118	265-46493-96	265-46493-120	265-46493-96

*Applies to all warranties

**Inner door gasket kit recommended

***Ordering a complete burner assembly may increase delivery time. Please order the specific component required for the quickest delivery.

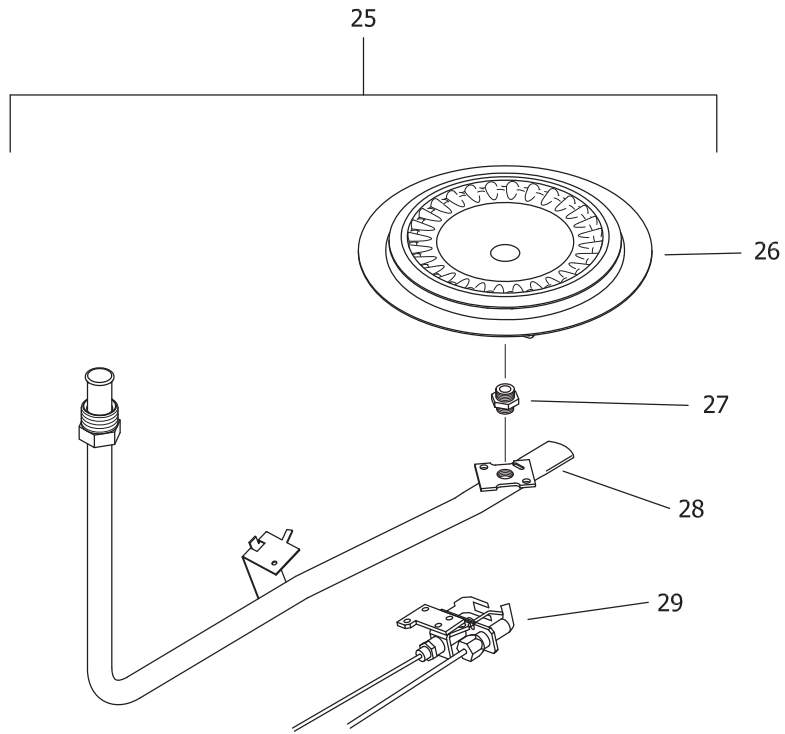


Item	Description	Model	Model
		RG2D40S*(N,X)	RG2D50S*(N,X)
1	Draft Hood	243-45787-00	243-45787-00
2	Flue Damper	265-50660-00	265-50660-00
3	Heat Trap Insert (Inlet)	239-51556-00	239-51556-00
4	Heat Trap Insert (Outlet)	239-45167-00	239-45167-00
5	Flue Baffle	243-47897-00	243-47898-00
6	Cold Water Inlet Dip Tube (PEX) ▲▲	229-51230-20	229-51230-19
7	Safety Circuit Wire Harness	239-45617-03	239-45617-03
8	Hot Water Outlet Anode (Magnesium) ▲#	224-47776-19	224-47776-19
	Hot Water Outlet (Aluminum) ▲#	224-32999-42	224-32999-42
	Hot Water Outlet (A420 Aluminum) ▲#	224-49560-08	224-49560-08
9	T&P Relief Valve	230-40594-02	230-40594-02
10	Brass Drain Valve	265-42351-02	265-42351-02
11	Screw-#8-18 x 3/4 HWH	239-44195-00	239-44195-00
12	Nat. Gas Right Side Inner Door Complete	239-43963-07	239-43963-07
	LP Gas Right Side Inner Door Complete	239-43963-07	239-43963-07
13	Nat. Gas Resettable Thermal Switch	239-43676-02	239-43676-02
	LP Gas Resettable Thermal Switch	239-43676-02	239-43676-02
14	Screw-#6-20 X 3/8	239-43967-00	239-43967-00
15	Outer Door	243-43962-00	243-43962-00
16	Screw-#10-12 x 3/4 HWH	239-44113-00	239-44113-00
17	Left Side Inner Door Complete	239-43968-18	239-43968-18
18	Gas Valve (Natural Gas)	239-48795-02	239-48795-02
	Gas Valve (LP Gas)	239-48796-02	239-48796-02
19	Flammable Vapor Sensor Clip	239-45648-00	239-45648-00
20	Flammable Vapor Sensor	239-45560-00	239-45560-00
21	Flammable Vapor Sensor Harness	243-50192-00	243-50192-00
22	Inner Door Gasket Kit	239-44078-00	239-44078-00
23	ASSE Approved Mixing Valve (Optional)	239-43740-01	239-43740-01
24	Heat Trap Insert kit	265-51572-00	265-51572-00

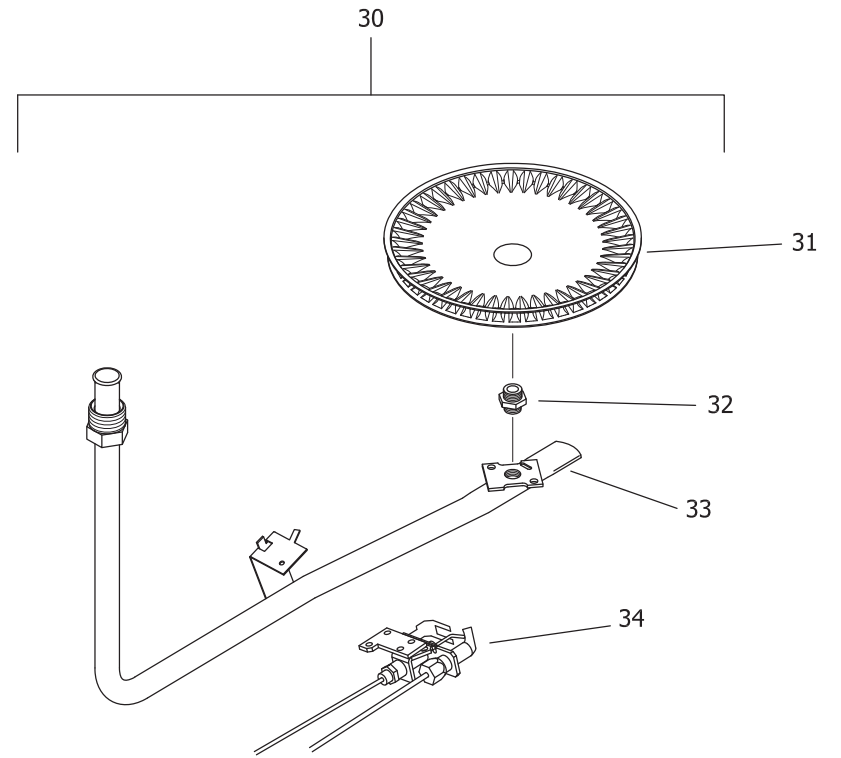
▲ Order with item 4.

▲▲ Order with item 3.

#Anodes may need to be cut to length.



NATURAL GAS (BN) BURNER ASSEMBLY



LP GAS (SX) BURNER ASSEMBLY

Item	Description	Model RG2D40S*(N,X)	Model RG2D50S*(N,X)
Natural Gas (BN) Burner Assembly			
25	Nat Gas Burner Assembly Complete***	265-45652-02-32	265-45652-02-32
26	Nat. Gas (N) Burner**	228-42506-00	228-42506-00
27	Nat. Gas (N) Main Burner Orifice 0 Ft. to 2,000 Ft. **	234-41034-32	234-41034-32
	Nat. Gas (N) High Altitude Orifice 0 Ft. to 7,000 Ft. (-475 model suffixes) **	234-41034-36	234-41034-36
	Nat. Gas (N) High Altitude Orifice Kit 7,001 Ft. to 10,000 Ft.	265-51311-02-40	265-51311-02-40
28	Feedline (N)	233-45615-02	233-45615-02
29	Nat. Gas Pilot Assembly**	233-45653-05	233-45653-05
LP Gas (SX) Titanium Stabilized Stainless Steel Burner Assembly			
30	LP Gas Burner Assembly Complete***	265-47440-09-50	265-47316-02-50
31	LP Gas (X) Burner**	228-46964-00	228-46964-00
32	LP Gas (X) Main Burner Orifice 0 Ft. to 2,000 Ft. **	234-47064-50	234-47064-50
	LP Gas (X) High Altitude Orifice 0 Ft. to 7,000 Ft. (-475 model suffixes) **	234-47064-52	234-47064-52
	LP Gas (X) High Altitude Orifice Kit 7,001 Ft. to 10,000 Ft.	265-51367-02-53	265-51367-02-53
33	Feedline (X)	233-47109-02	233-47109-02
34	LP Gas Pilot Assembly**	233-45653-04	233-45653-04
	LP to Nat. Gas Conversion Kit	265-46493-79	265-46493-108
	LP to Nat. Gas High Altitude Conversion Kit	265-46493-80	265-46493-109

*Applies to all warranties

**Inner door gasket kit recommended

***Ordering a complete burner assembly may increase delivery time. Please order the specific component required for the quickest delivery.



BRADFORD WHITE®

W A T E R H E A T E R S

Ambler, PA

For U.S. and Canada field service,
contact your professional installer or
local Bradford White sales representative.

Sales/800-523-2931
Fax/215-641-1670
Parts Fax/215-641-2180

Technical Support/800-334-3393
Fax/269-795-1089

Warranty/800-531-2111
Fax/269-795-1089

International:
Telephone/215-641-9400
Telefax/215-641-9750



BRADFORD WHITE-CANADA® INC.

Mississauga, ON

Sales/866-690-0961
905-238-0100

Fax/905-238-0105

Technical Support/800-334-3393

Email

parts@bradfordwhite.com
techserv@bradfordwhite.com

www.bradfordwhite.com