



**BRADFORD WHITE**<sup>®</sup>  
W A T E R   H E A T E R S

**RESIDENTIAL REPLACEMENT PARTS LIST**  
**PowerStor2™ Series<sup>®</sup>**  
**Double-Wall Indirect (DW) Models**

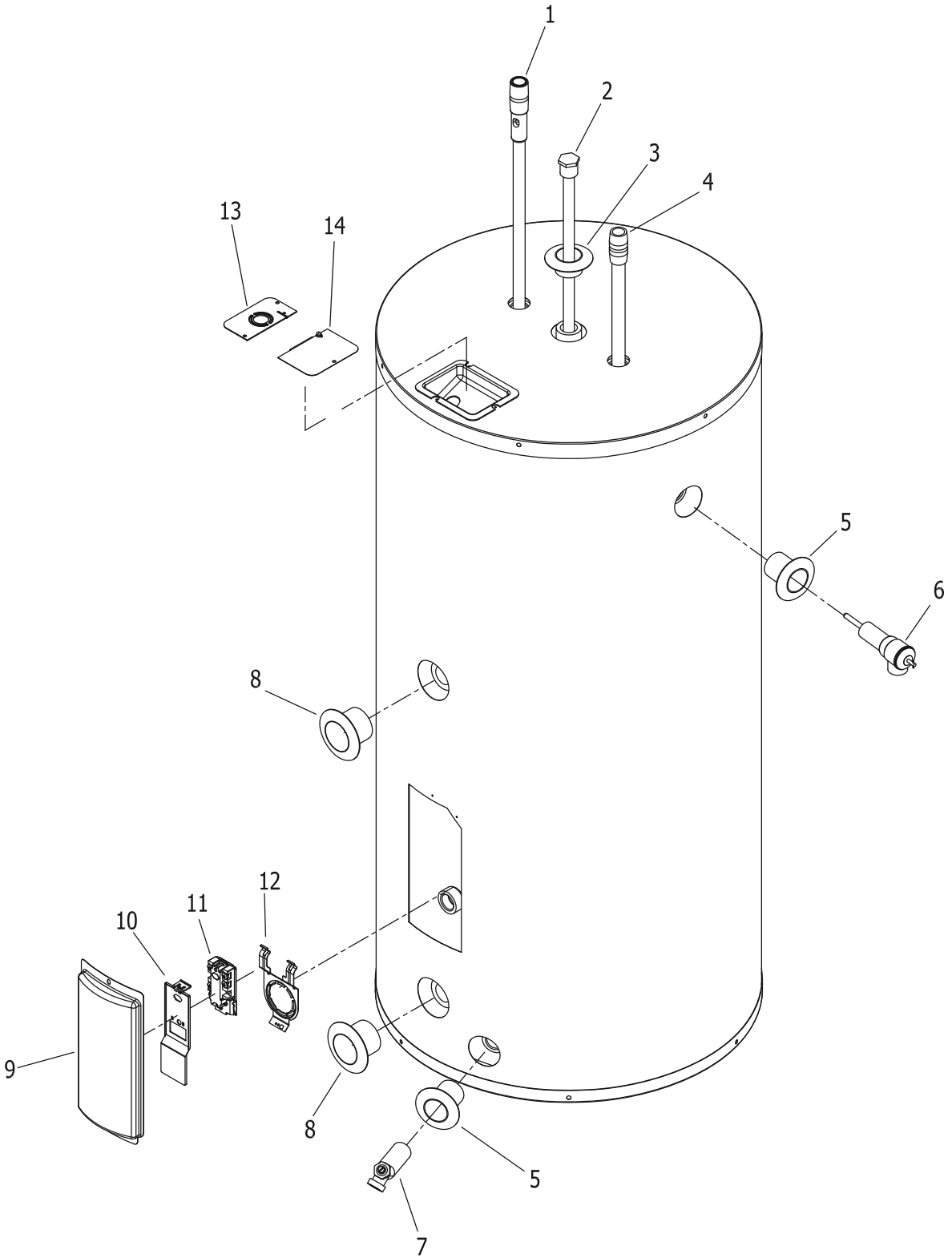


Includes Hydrojet<sup>®</sup>  
Total Performance System

***Effective: April, 2012***  
***ECO 7496***

**NOTE: BOTH MODEL AND SERIAL  
NUMBERS ARE REQUIRED FOR  
ORDERING REPLACEMENT PARTS**

Dimensions and specifications  
subject to change without notice.



Item	Description	Model DW240L	Model DW250L	Model DW265L	Model DW280L
1	Hot Water Outlet/Anode 3/4 NPT (Aluminum)	224-32999-22	224-32999-10	224-32999-13	224-32999-13
2	Anode (Aluminum) Hex Head	224-47783-03	224-47783-06	224-47783-06	224-47783-06
	Anode (A420 Aluminum) Hex Head#	224-49559-04	224-49559-04	224-49559-04	224-49559-04
3	Escutcheon (1")	239-41336-00	239-41336-00	239-41336-00	239-41336-00
4	Cold Water Inlet Dip Tube, Polysulfone	229-39628-19	229-39628-06	229-39628-16	229-39628-16
5	Escutcheon (1 1/2")	239-41337-00	239-41337-00	239-41337-00	239-41337-00
6	T & P Relief Valve	230-40594-02	230-40594-02	230-40594-02	230-40594-02
7	Brass Drain Valve	265-42351-02	265-42351-02	265-42351-02	265-42351-02
8	Escutcheon (Coil Fitting)	239-43303-00	239-43303-00	239-43303-00	239-43303-00
9	Access Cover	243-36618-02	243-36618-02	243-36618-02	243-36618-02
10	Thermostat Protector	243-40830-00	243-40830-00	243-40830-00	243-40830-00
11	Thermostat With High Limit	219-40694-00	219-40694-00	219-40694-00	219-40694-00
12	Thermostat Mounting Bracket	239-44478-00	239-44478-00	239-44478-00	239-44478-00
13	Cover Conduit/Ground	243-39451-00	243-39451-00	243-39451-00	243-39451-00
14	Cover Junction Box	243-39452-00	243-39452-00	243-39452-00	243-39452-00

# A420 Anode may need to be cut to length



# **BRADFORD WHITE®**

W A T E R H E A T E R S

Ambler, PA

For U.S. and Canada field service,  
contact your professional installer or  
local Bradford White sales representative.

**Sales/800-523-2931**  
**Fax/215-641-1670**  
**Parts Fax/215-641-2180**

**Technical Support/800-334-3393**  
**Fax/269-795-1089**

**Warranty/800-531-2111**  
**Fax/269-795-1089**

**International:**  
**Telephone/215-641-9400**  
**Telefax/215-641-9750**



# **BRADFORD WHITE-CANADA® INC.**

Mississauga, ON

**Sales/866-690-0961**  
**905-238-0100**

**Fax/905-238-0105**

**Technical Support/800-334-3393**

**Email**

**parts@bradfordwhite.com**  
**techserv@bradfordwhite.com**

**www.bradfordwhite.com**