

# Wastewater

## 16S Series



### Applications

- Little Giant 16 Series Sump/Effluent Pumps are rated for continuous duty in dewatering, water transfer, effluent and wastewater removal

### Features

- 1 hp permanent split capacitor motor with thermal overload protection on single phase units
- Oil-filled motor housing for lifetime lubrication and rapid heat dissipation
- Cast iron pump housing with protective epoxy coating for corrosion resistance
- 3" FNPT discharge
- Stainless steel screws, bolts and lifting ring
- Mechanical seals (stainless steel spring, nitrile parts, carbon and ceramic faces)
- Secondary exclusion seal to help protect mechanical seal
- Capacitor and power cord isolated from oil-filled motor housing for ease of field maintenance
- Two-vane non-clog epoxy coated cast iron impeller
- Handles liquids and solid waste materials up to 2" diameter



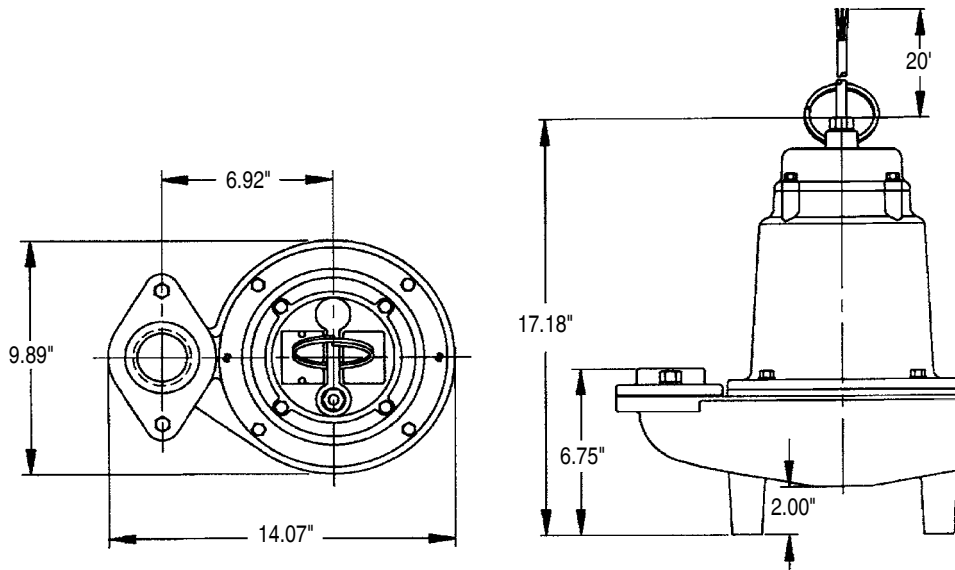
(514620, 514630, 514625,  
514720, 514730 and 514750)



(514740)

**LittleGIANT**

## Engineering Data



## Specifications

Item No.	Model No.	HP	Volts	Ph	Hz	RPM	Discharge	Solids Size (dia. in)	Running Amps	Watts	Performance (GPM @ Head)			Shut Off		Cord Length (ft)	Weight (lbs)	Dimensions H x L x W (in)
											10'	20'	30'	Feet	PSI			
514620	16S-CIM	1	230	1	60	1625	3" FNPT	2"	11.0	1900	160	100	40	35	15.1	20	94	17.1 x 14.0 x 9.9
514630	16S-CIM	1	230	1	60	1625	3" FNPT	2"	11.0	1900	160	100	40	35	15.1	40	95	17.1 x 14.0 x 9.9
514625	16S-CIM	1	200-208	1	60	1650	3" FNPT	2"	11.0	2000	160	100	40	35	15.1	20	88	17.1 x 14.0 x 9.9
514720	16S-CIM	1	230	3*	60	1725	3" FNPT	2"	6.3	1550	160	100	40	35	15.1	20	89	17.1 x 14.0 x 9.9
514730	16S-CIM	1	460/380	3*	60/50	1725	3" FNPT	2"	3	850	160	100	40	35	15.1	20	90	17.1 x 14.0 x 9.9
514740	16S-CIM	1	575	3*	60	1725	3" FNPT	2"	3	1550	160	100	40	35	15.1	20	88	17.1 x 14.0 x 9.9
514750	16S-CIM	1	200-208	3*	60	1725	3" FNPT	2"	6.8	1550	160	100	40	35	15.1	20	88	17.1 x 14.0 x 9.9

Continuous Duty Rated — Little Giant Wastewater pumps are rated continuous duty as long as they are run within the published ratings for these pumps.

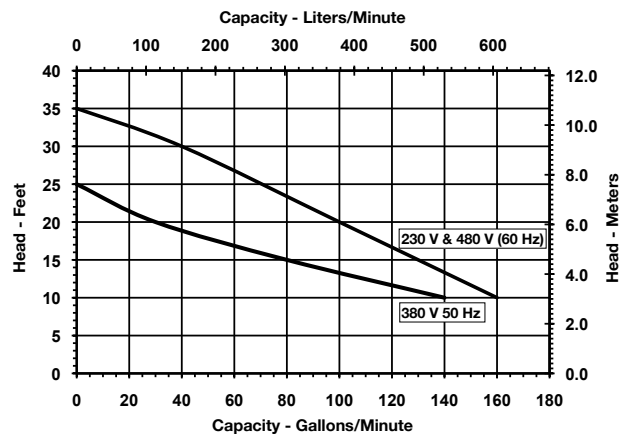
\*3 phase pumps require control panel to operate

\*\*Without plug

## Construction

Motor Housing	Epoxy coated cast iron
Impeller Material	Epoxy coated cast iron
Impeller Type	Two vane, non-clog
Volute	Epoxy coated cast iron
Power Cord	16/3 or 18/4, SOW or STW
Mechanical Shaft Seal	Nitrile with carbon and ceramic faces
Fasteners	Stainless steel
Shaft	Stainless steel
Bearings	Upper and lower ball bearing

## Performance Data



P.O. Box 12010  
Oklahoma City, OK 73157-2010  
Phone: 1.800.701.7894  
Fax: 1.800.678.7867  
www.franklinwater.com

