



Franklin Electric

End Suction Centrifugal Pump OWNER'S MANUAL

SAFETY WARNINGS



BEFORE OPERATING OR INSTALLING THIS PUMP, READ THIS MANUAL AND FOLLOW ALL SAFETY RULES AND OPERATING INSTRUCTIONS.



SAFETY CAREFULLY READ THESE SAFETY MESSAGES IN THIS MANUAL AND ON PUMP.

CAUTION

- **DO NOT OPERATE THIS PUMP DRY!**
- Review instructions before operating.

WARNING - ELECTRICAL PRECAUTIONS

All wiring, electrical connections, and system grounding must comply with the National Electrical Code (NEC) and with any local codes and ordinances. Employ a licensed electrician. For non-thermally protected motors use with approved motor control that matches motor input in full load amperes with overload element(s) selected or adjusted in accordance with control instructions.

Adhere to the guidelines of national, state and local plumbing codes when installing this product. Check with the appropriate agencies or water system professional for additional information.

WARNING - RISK OF ELECTRICAL SHOCK

- Have an electrician provide electrical power to motor.
- All wiring and electrical connections should comply with the National Electrical Code (NEC) and with local codes and ordinances.
- A ground fault interrupter (GFI) protected circuit is recommended for use with any electrical device operating near water.

APPLICATION

These pumps are suitable for installations where the vertical distance from the pump to the water level does not exceed 25 ft. (7.5m), including drawdown. In all installations friction losses in the piping must be taken into consideration.

PERFORMANCE

HP	Total Head in Feet										
	20	30	40	50	60	70	80	100	120	140	150
	Capacities in U.S. GPM										
1/2	46	40	37	30	22	12	-	-	-	-	-
3/4	56	52	47	42	36	29	19	-	-	-	-
1	61	57	54	49	44	39	32	12	-	-	-
1-1/2	69	67	63	59	54	49	43	24	-	-	-
2	90	89	87	83	79	72	63	42	11	-	-
3	140	140	132	124	116	107	98	78	38	-	-
5	152	152	152	152	152	150	141	120	96	67	40

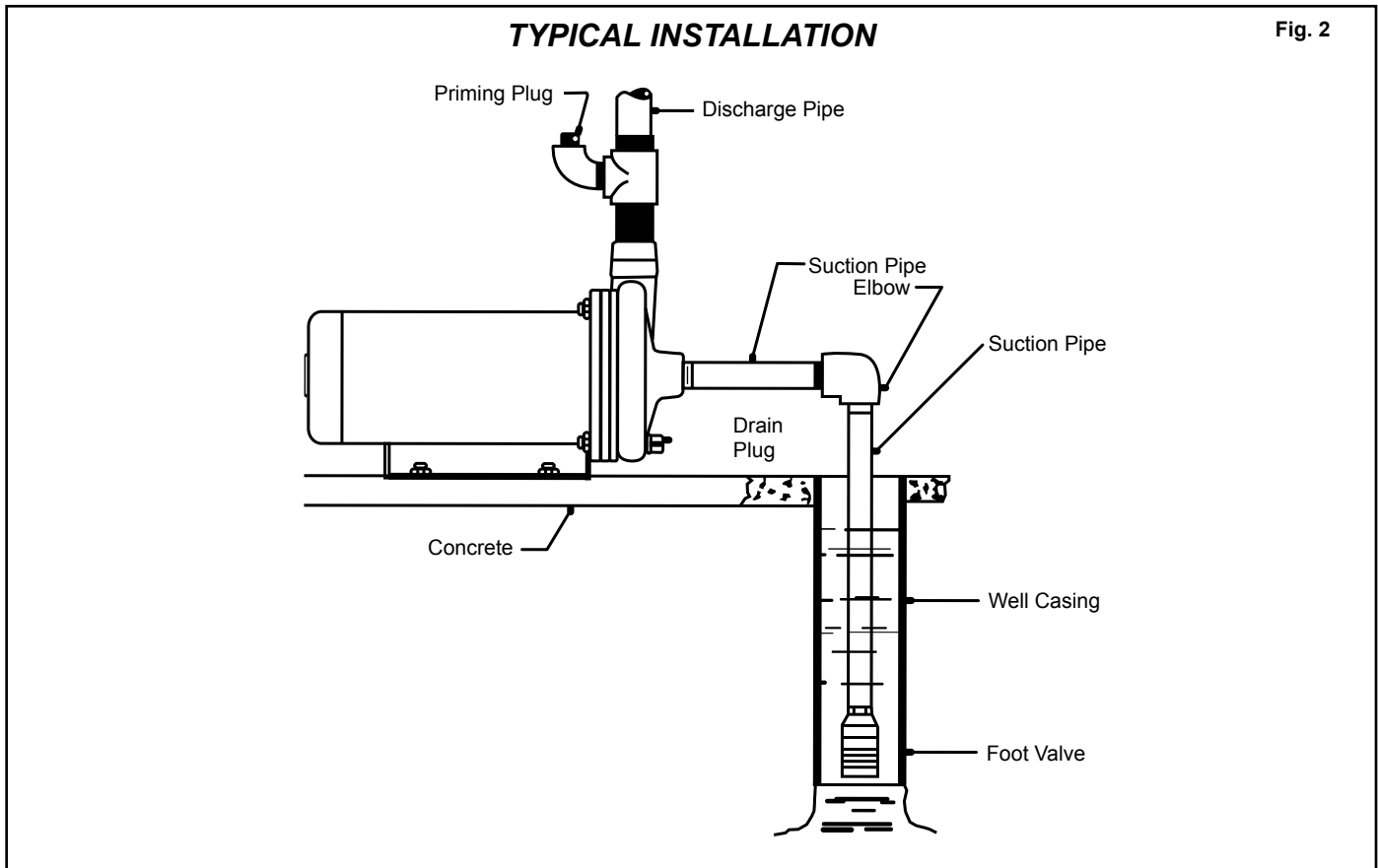
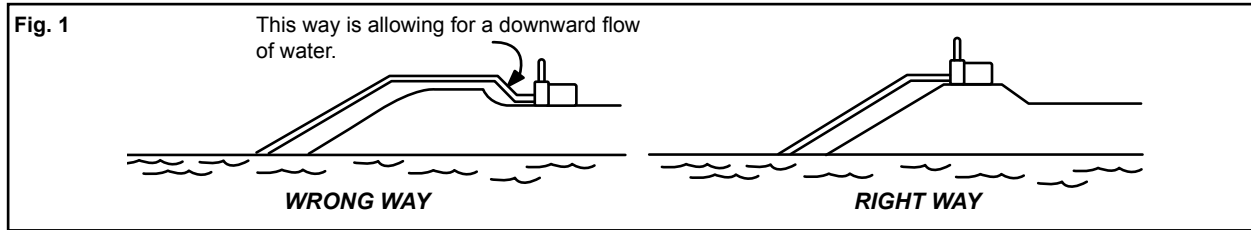
INSTALLATION

a) PUMP LOCATION: The pump should be installed in a clean, dry and ventilated location. Provisions should be accommodated for adequate drainage, room for servicing, and protection from freezing temperatures. The unit should be bolted down evenly on a good foundation, preferably concrete, to prevent the development of unnecessary stresses. Locating the pump as close as possible to the source of water supply reduces the friction losses in the suction pipe and provides maximum capacities.

b) SUCTION LINE: Before installing the suction line, check the pump rotation as outlined below. It is recommended that only new, clean pipe or suction hose be used and the size be the same as that of the pump suction tapping. If the pump is installed any appreciable distance away from the source of water supply, the suction pipe should be increased by one size. The suction pipe should never allow a downward water flow in its connections from water supply to the pump (see Fig. 1). A foot valve must be connected to the bottom of the suction line and should be clear of any possible obstructions.

These valves are available from your pump supplier. It must be ensured that the foot valve remains well submerged at all times. If large debris is present at the suction point, install a filtration device to prevent the debris from entering the pump. Thread compound should be used on all pipe joints. All connections should

be thoroughly tightened. A leak in the suction line may prevent a complete prime and will reduce pump operating performance. Figure 2 shows a typical pump installation.



c) **DISCHARGE LINE:** A priming plug should be installed as shown in Figure 2. Long hose or pipe lengths add resistance to water flow which therefore reduces pumping capacity. Use standard approved pipe or hose suitable for the pumping pressures which develop and use lengths only as necessary to reach the discharge point. Avoid using nozzles or reducing fittings on the discharge line if they are not required in your application. The discharge pipe or hose should be at least as large as the discharge thread opening on the pump casing. If long line lengths are required, increase pipe/hose size accordingly. Avoid unnecessary bends in lines. Proper installation will enable efficient service from your pump.

d) **WIRING:** All wiring, electrical connections, and system grounding must comply with the National Electrical Code (NEC) and with any local codes and ordinances. Employ a licensed electrician. It is recommended that a separate circuit be led from the distribution panel to the pump unit. A proper fused disconnect switch is to be installed in the line, making sure that the correct gauge of cable is used to carry the load. Very long leads will require a larger cable. For all 3-Phase motors a separate manual thermal overload switch or a magnetic starter having the proper size heater elements must be installed. An electrician should be employed to do the wiring. After wiring is complete check the impeller rotation by switching the motor on for one second only.

OPERATION - PRIMING THE PUMP

⚠ WARNING: DO NOT RUN THE PUMP BEFORE PRIMING IT, SINCE THE SEAL AND IMPELLER COULD BE PERMANENTLY DAMAGED.

- a) **PRIMING:** These pumps are not self-priming. For best priming, fill the pump casing and the suction line full with water.
To prime the casing – Remove the priming plug and the drain plug (See Figure 2). Pour clean water into the priming hole. Replace the drain plug. Fill the pump casing full. Rotate the motor shaft manually from the back of the motor to release internal air pockets inside the casing. Refill, if necessary at the priming hole. Replace the priming plug.
- b) **STARTUP:** Dry operation may damage the water lubricated seal inside the pump. If the pump does not deliver water within seconds after startup, stop the motor and repeat the priming operation. Several starting attempts may be necessary to expel all of the air from the pump and suction lines.
- c) **CONTINUOUS OPERATION:** Check the pump periodically for loose or rubbing parts. Service the pump immediately if any unusual noise, leaks or vibrations develop.
- d) **DRAINING:** Should the pump be subject to freezing temperatures, it will be necessary to completely drain the fluid from the pump and lines. To drain the pump casing, remove the drain plug and the priming plug. Disconnect the suction line at a connection close to the pump casing and allow the water to drain from the suction line. Operate the pump for a few seconds only to clear water from the impeller. Replace the suction line carefully cleaning the threads and applying fresh thread compound.
- e) **ROTATION:** The arrow on the front of the pump casing indicates the correct rotation of the impeller during operation. Wire the motor as described above. If it is not turning in the proper direction refer to the motor wiring instructions.

MAINTENANCE

⚠ WARNING - ELECTRICAL PRECAUTIONS

All wiring, electrical connections, and system grounding must comply with the National Electrical Code (NEC) and with any local codes and ordinances. Employ a licensed electrician.

⚠ WARNING - RISK OF ELECTRICAL SHOCK

Before servicing motor operated equipment, shut off the power at the main electrical panel and disconnect the power supply from the motor and the accessories. Use safe working practices during servicing of equipment.

- a) **LUBRICATION:** The pump itself does not need lubrication. Refer to instructions provided with the motor for motor lubrication and maintenance.
- b) **REPLACEMENT OF SEAL:** If available, refer to the repair parts list illustration showing the relative location and names of all components to assist you while following these instructions.

Disassembly:

- 1) Disconnect piping and wiring.
- 2) Remove the four nuts to dismount the pump casing from the motor housing.
- 3) Remove motor's end cover (if required).
- 4) Secure motor's shaft end with screwdriver and remove impeller by turning it counter-clockwise.
- 5) Remove the spring seal from the shaft and slide the seal plate off.
- 6) Remove the ceramic seat and its rubber housing from the seal plate.

Reassembly:

- 1) Clean all parts thoroughly. Inspect for damage or wear.
- 2) Liquid soap the rubber only of the stationary seal seat. Use clean thumbs only to press seat into seal plate. Make sure that seat is fully seated and wipe clean.
- 3) Slide the seal plate onto the shaft being careful not to damage the ceramic seat.
- 4) Lightly soap the internal rubber ring of the rotary spring seal assembly and slip in onto the motor shaft with the shiny side of the ring towards the ceramic seat.
- 5) Reassemble the impeller onto the shaft. Tighten "hand tight" only.
- 6) Place a new gasket onto the seal plate.
- 7) Place the casing into position and attach the motor using new spring washers and existing bolts. Use thread locking/sealing compound on casing to prevent leaks. Do not over-tighten the bolts.
- 8) Check that the impeller is not rubbing with the pump casing by rotating the motor shaft by hand.
- 9) Replace motor's end cover (if required).
- 10) Reconnect piping and wiring.
- 11) Reprime pump system.

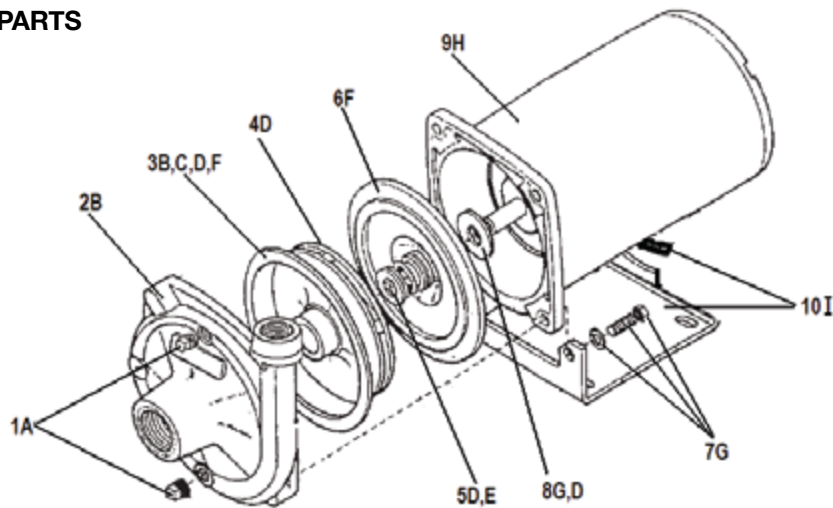
PRECAUTIONS

- a) Whenever reassembly of pump is involved, check to see that the impeller rotates freely within the casing.
- b) Never remove the water flinger from the motor shaft unless replacing a damaged flinger. Be sure the motor has a flinger installed at all times.

TROUBLESHOOTING GUIDE

- a) Pump fails to deliver water:**
- 1) Pump is not properly primed.
 - 2) Impeller does not rotate freely within the casing.
 - 3) Suction lift is too great.
 - 4) Foot valve is either not submerged, buried in mud, or is blocked.
 - 5) Suction line is completely choked.
- b) Pump delivers water but not at rated capacity:**
- 1) Leaks in suction or discharge line.
 - 2) Foot valve, suction line or impeller are partially plugged.
 - 3) Suction lift is greater than recommended.
 - 4) Improper impeller rotation.
- c) Pump loses prime:**
- 1) Air leaks in suction line or foot valve.
 - 2) Well drawdown too great.
 - 3) Faulty foot valve.
- d) Motor will not start:**
- 1) No power due to blown fuses, open switches or loose connections.

REPLACEMENT PARTS



Number	Description	Kit Grouping Identifier	Repair Part Order Codes by Model Number				
			1/2 hp	3/4 hp	1 hp	1-1/2 hp	2 hp
1	Plugs Kit	A	305446953				
2	Casing	B	305446922				305446923
3	Gasket	C	305446932				305446933
		F	305446929				305446930
		D	305446924	305446925	305446926	305446927	305446928
5	Mechanical seal	E	106196218				
6	Seal Plate	F	305446929				305446930
7	Fastener Kit*	G	305446931				
8	Flinger	D	305446924	305446925	305446926	305446927	305446928
9	Motor	H	305446955	305446956	305446957	305446958	305446959
10	Base Assembly	I	305446960				

†Items with like identifiers are sold/packaged together

*Fastener kits (7G) is a complete set of the hardware used to assemble the pump. As a convenience kit B, D & F contain the fasteners needed for the reassembly of its components.

LIMITED WARRANTY*

THIS WARRANTY SETS FORTH THE COMPANY'S SOLE OBLIGATION AND PURCHASER'S EXCLUSIVE REMEDY FOR DEFECTIVE PRODUCT.

Franklin Electric Company, Inc. and its subsidiaries (hereafter "the Company") warrants that the products accompanied by this warranty are free from defects in material or workmanship of the Company.

The Company has the right to inspect any product returned under warranty to confirm that the product contains a defect in material or workmanship. The Company shall have the sole right to choose whether to repair or replace defective equipment, parts, or components.

The buyer should return the product to the place of purchase for warranty consideration. Subject to the terms and conditions listed below, the Company will repair or replace to the buyer any portion of this product which proves defective due to materials or workmanship of the Company.

The Company will consider products for warranty for 12 months from the date of installation or for 24 months from the date of manufacture, whichever occurs first.

The Company shall IN NO EVENT be responsible or liable for the cost of field labor or other charges incurred by any customer in removing and/or affixing any product, part or component thereof.

The Company reserves the right to change or improve its products or any portions thereof without being obligated to provide such change or improvement to previously sold products.

THIS WARRANTY DOES NOT APPLY TO products damaged by acts of God, including lightning, normal wear and tear, normal maintenance services and the parts used in connection with such service, or any other conditions beyond the control of the Company.

THIS WARRANTY WILL IMMEDIATELY VOID if any of the following conditions are found:

1. Product is used for purposes other than those for which it was designed and manufactured;
2. Product was not installed in accordance with applicable codes, ordinances and good trade practices;
3. Product was not installed by a Franklin Certified Contractor; or
4. Product was damaged as a result of negligence, abuse, accident, misapplication, tampering, alteration, improper installation, operation, maintenance or storage, nor to an excess of recommended maximums as set forth in the product instructions.

NEITHER SELLER NOR THE COMPANY SHALL BE LIABLE FOR ANY INJURY, LOSS OR DAMAGE, DIRECT, INCIDENTAL OR CONSEQUENTIAL (INCLUDING, BUT NOT LIMITED TO, INCIDENTAL OR CONSEQUENTIAL DAMAGES FOR LOST PROFITS, LOST SALES, INJURY TO PERSON OR PROPERTY, OR ANY OTHER INCIDENTAL OR CONSEQUENTIAL LOSS), ARISING OUT OF THE USE OR THE INABILITY TO USE THE PRODUCT, AND THE BUYER AGREES THAT NO OTHER REMEDY SHALL BE AVAILABLE TO IT.

THE WARRANTY AND REMEDY DESCRIBED IN THIS LIMITED WARRANTY IS AN EXCLUSIVE WARRANTY AND REMEDY AND IS IN LIEU OF ANY OTHER WARRANTY OR REMEDY, EXPRESS OR IMPLIED, WHICH OTHER WARRANTIES AND REMEDIES ARE HEREBY EXPRESSLY EXCLUDED, INCLUDING BUT NOT LIMITED TO ANY IMPLIED WARRANTY OF MERCHANTABILITY OR FITNESS FOR A PARTICULAR PURPOSE, TO THE EXTENT EITHER APPLIES TO A PRODUCT SHALL BE LIMITED IN DURATION TO THE PERIODS OF THE EXPRESSED WARRANTIES GIVEN ABOVE.

DISCLAIMER: Any oral statements about the product made by the seller, the Company, the representatives or any other parties, do not constitute warranties, shall not be relied upon by the buyer, and are not part of the contract for sale. Seller's and the Company's only obligation, and buyer's only remedy, shall be the replacement and/or repair by the Company of the product as described above. Before using, the user shall determine the suitability of the product for his intended use, and user assumes all risk and liability whatsoever in connection therewith.

Some states and countries do not allow the exclusion or limitations on how long an implied warranty lasts or the exclusion or limitation of incidental or consequential damages, so the above exclusion or limitations may not apply to you. This warranty gives you specific legal rights, and you may also have other rights which vary from state to state and country to country.

*Contact Franklin Electric Co., Inc. Export Division for International Warranty.



Franklin Electric

400 E. Spring Street, Bluffton, IN 46714
Tel: 260-824-2900 Fax: 260-824-2909
www.franklin-electric.com



Franklin Electric

WCE - Pompe centrifuge à aspiration axiale

GUIDE D'UTILISATION

⚠️ CONSIGNES DE SÉCURITÉ



AVANT D'INSTALLER OU D'UTILISER CETTE POMPE, PRIÈRE DE LIRE LE PRÉSENT GUIDE ET SUIVRE TOUTES LES RÈGLES DE SÉCURITÉ ET INSTRUCTIONS D'UTILISATION.

⚠️ SÉCURITÉ

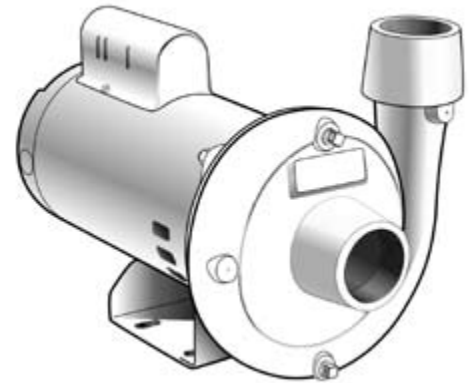
LIRE ATTENTIVEMENT LES AVIS DE SÉCURITÉ SE TROUVANT DANS LE PRÉSENT MANUEL ET SUR LA POMPE.

⚠️ CAUTION

- NE PAS FAIRE FONCTIONNER CETTE POMPE À SEC!
- Passez les instructions en revue avant d'utiliser la pompe.

⚠️ AVERTISSEMENT - PRÉCAUTIONS ÉLECTRIQUES

Tous câblage, connexions électriques et mise à la terre des systèmes doivent se conformer au Code National d'Electricité (NEC) et aux codes et ordonnances locaux. Employez un électricien autorisé. Pour les moteurs sans protection thermique, utiliser un démarreur approuvé convenant au courant à pleine charge du moteur et dont les éléments thermiques sont réglés ou choisis conformément aux instructions qui l'accompagnent.



⚠️ AVERTISSEMENT - RISQUE DE CHOC ÉLECTRIQUE

- Demandez à un électricien d'alimenter le moteur.
- Le câblage et les raccordements électriques devraient être conformes au Code national de l'électricité (NEC), ainsi qu'aux ordonnances et codes locaux.
- Un interrupteur à circuit de terre protégé (GFI) est recommandé pour l'utilisation de tout appareil électrique près de l'eau.

APPLICATION

Ces modèles peuvent être installés là où la distance verticale entre la pompe et le niveau de l'eau ne dépasse pas 25 pieds (7,5 mètres) y compris l'abaissement de ce niveau. Dans tous les cas, il faut tenir compte des pertes par frottement dans la tuyauterie.

RENDEMENT

CV	Hauteur d'aspiration totale en pieds										
	20	30	40	50	60	70	80	100	120	140	150
	Capacité en gallons américains par minute										
1/2	46	40	37	30	22	12	-	-	-	-	-
3/4	56	52	47	42	36	29	19	-	-	-	-
1	61	57	54	49	44	39	32	12	-	-	-
1-1/2	69	67	63	59	54	49	43	24	-	-	-
2	90	89	87	83	79	72	63	42	11	-	-
3	140	140	132	124	116	107	98	78	38	-	-
5	152	152	152	152	152	150	141	120	96	67	40

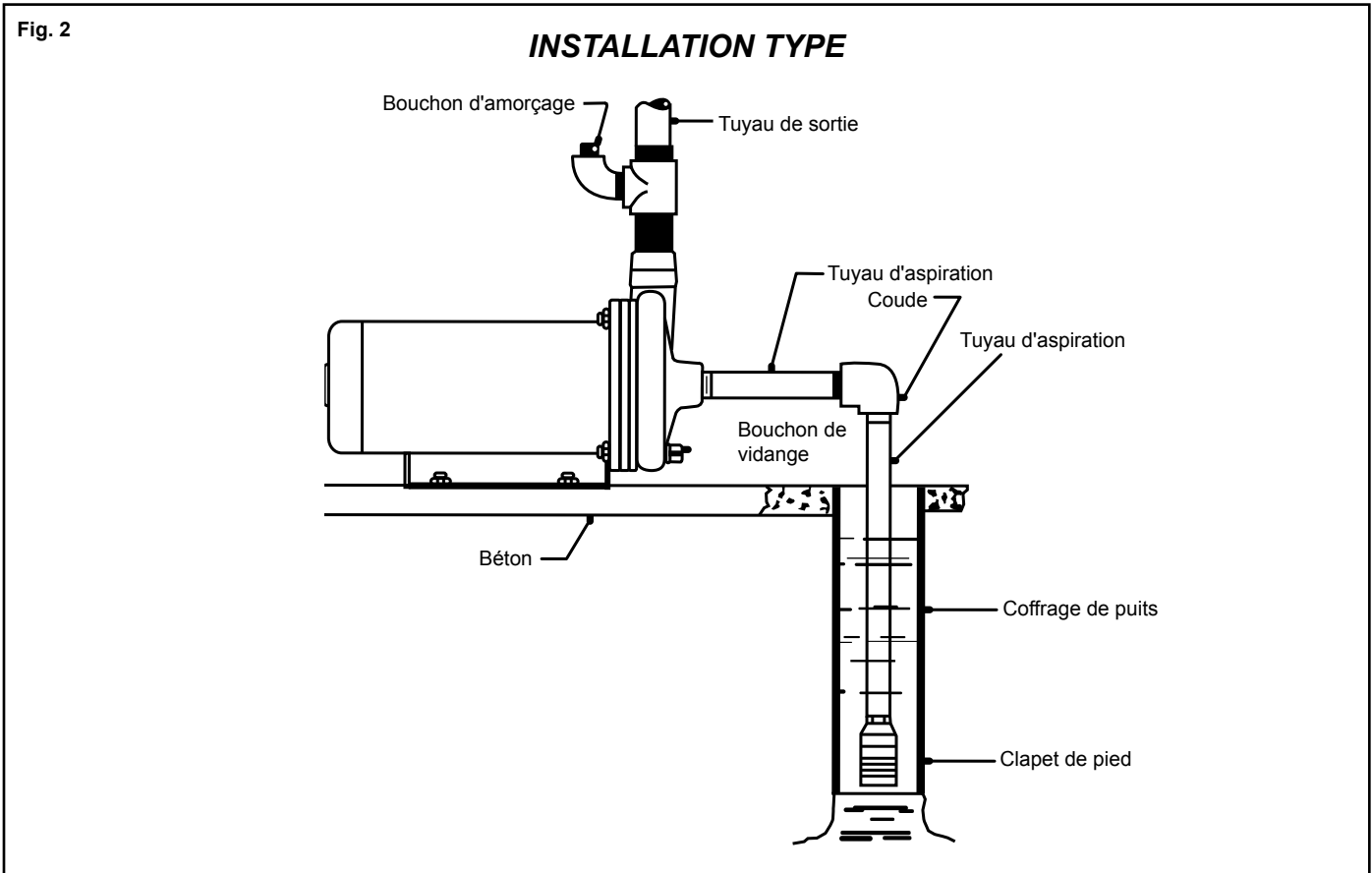
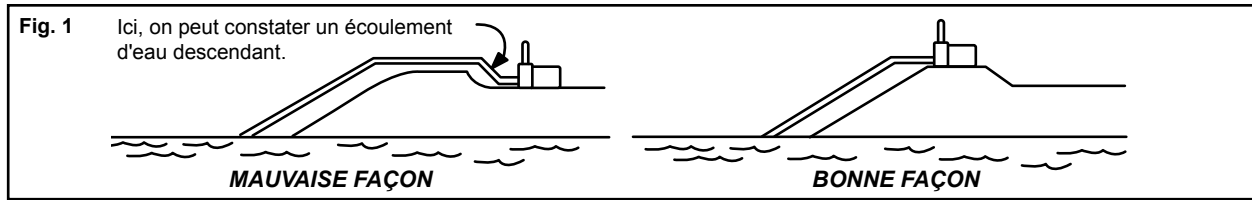
INSTALLATION

a) **EMPLACEMENT DE LA POMPE:** La pompe devrait être installée dans un endroit propre, sec et bien ventilé. On doit aussi prendre les précautions nécessaires pour l'entretien, l'égouttement et la protection contre le gel. Elle devrait être boulonnée uniformément sur une base solide, de préférence en béton, pour prévenir le développement de tensions inutiles. En plaçant la pompe aussi près que possible de la source d'eau, on réduit le frottement dans la conduite d'aspiration, pour ainsi profiter de sa capacité maximale.

b) **CONDUITE D'ASPIRATION:** Avant de poser la conduite d'aspiration, vérifiez la rotation de la pompe de la manière expliquée ci-dessous. On recommande l'emploi d'un boyau ou d'un tuyau propre et neuf dont le diamètre est identique à celui de l'orifice d'aspiration de la pompe. Par contre, si la pompe est installée à une bonne distance de la source d'eau, on vous conseille de choisir un tuyau d'aspiration d'un diamètre un peu plus grand que l'orifice d'aspiration. Dans le raccordement entre la source d'eau et la pompe, on

ne doit jamais permettre un écoulement d'eau descendant dans la conduite d'aspiration. Ce tuyau doit toujours aller en montant (Figure 1). Vous devez raccorder du clapet de pied au bas de la conduite d'aspiration. Ce clapet doit être à l'écart de toute obstruction possible. Vous pourrez vous procurer ce genre de clapet chez votre vendeur de pompes. N'oubliez pas que ce clapet de pied doit toujours être

submergé. S'il y a des débris au point d'aspiration, posez un dispositif de filtration pour les empêcher de pénétrer dans la pompe. On vous conseille aussi d'utiliser une pâte lubrifiante sur les filets de tous les joints et de serrer solidement les raccords. Une fuite dans la conduite d'aspiration pourrait prévenir un amorçage complet de la pompe et diminuera le rendement du système. La Figure 2 fait voir une installation de pompe typique.



c) **CONDUITE DE SORTIE:** Il faut poser un bouchon d'amorçage à l'endroit indiqué (Figure 2). Si le boyau ou le tuyau est trop long, la résistance y sera plus grande, ce qui aura pour effet de réduire la capacité de la pompe. Employez un boyau ou un tuyau standard approuvé qui convient aux pressions de pompage prévues et qui est juste assez long pour atteindre l'orifice de sortie. Évitez d'employer un gicleur ou un raccord réducteur sur la canalisation de sortie, à moins que cela ne soit absolument nécessaire dans votre situation. Le boyau ou tuyau de sortie devrait être au moins aussi gros que l'orifice fileté de sortie dans le corps de la pompe. Si vous devez poser une longue conduite, augmentez le diamètre du boyau ou du tuyau en conséquence. Évitez les coudes inutiles dans les conduites. Si vous réalisez une installation appropriée, vous bénéficierez de toute l'efficacité possible de votre pompe.

d) **CÂBLAGE:** Tous câblage, connexions électriques et mise à la terre des systèmes doivent se conformer au Code National d'Electricité (NEC) et aux codes et ordonnances locaux. Employez un électricien autorisé. On vous recommande d'utiliser un circuit distinct pour alimenter le moteur de la pompe à partir du panneau de distribution électrique. Il faut aussi que cette ligne soit munie d'un disjoncteur à fusible. Assurez-vous que le câble choisi est assez gros pour supporter la charge. Si la distance entre la source de courant et la pompe est très grande, il faudra employer un plus gros câble. Pour n'importe quel moteur triphasé, il faut installer un commutateur manuel contre les surcharges thermiques ou bien un démarreur magnétique à éléments chauffants de grosseur suffisante. Nous vous conseillons de confier à un électricien compétent tous les travaux de câblage. Dès que ces travaux sont achevés, vérifiez la rotation de la turbine en actionnant le moteur pour seulement une seconde.

FONCTIONNEMENT - AMORÇAGE DE LA POMPE

⚠ AVERTISSEMENT: DE NE PAS FAIRE FONCTIONNER LA POMPE À SEC AVANT L'AMORÇAGE, SINON LE JOINT D'ÉTANCHÉITÉ.

- a) **AMORÇAGE:** Ces pompes ne s'amorcent pas automatiquement. Pour profiter du meilleur amorçage possible, remplissez le corps de la pompe et le tuyau d'aspiration pleins d'eau.
Pour amorcer le corps de la pompe - Enlevez le bouchon d'amorçage et le bouchon de vidange (Figure 2). Versez de l'eau propre dans le trou d'amorçage. Remettez le bouchon de vidange en place. Remplissez complètement le corps de la pompe. Avec votre main, faites tourner l'arbre à partir de l'arrière du moteur afin de libérer les poches d'air qu'il pourrait y avoir dans le corps. Au besoin, remplissez encore une fois par le trou d'amorçage. Remettez le bouchon d'amorçage en place.
- b) **DÉMARRAGE:** La marche à sec pourrait endommager la garniture d'étanchéité lubrifiée à l'intérieur de la pompe. Si la pompe ne fournit pas d'eau quelques secondes après avoir été mise en marche, arrêtez le moteur et répétez l'amorçage. Plusieurs tentatives de démarrage pourraient s'avérer nécessaires pour chasser tout l'air de la pompe et de la conduite d'aspiration.
- c) **SERVICE CONTINU:** Examinez régulièrement la pompe au cas où il y aurait des pièces desserrées ou qui froissent. Réparez immédiatement la pompe si vous remarquez des bruits inhabituels, des fuites ou des vibrations.
- d) **VIDANGE:** Si l'appareil est dans un endroit exposé au gel, vous devrez vidanger complètement le liquide de la pompe et des conduites. Pour bien vider le corps de la pompe, enlevez le bouchon de vidange et le bouchon d'amorçage. Déconnectez la conduite d'aspiration à un raccord près du corps de la pompe et laissez couler l'eau du tuyau d'aspiration. Faites marcher la pompe pendant quelques secondes seulement, pour chasser l'eau de la turbine. Nettoyez les filets du tuyau d'aspiration, puis enduisez-les de pâte lubrifiante neuve. Ensuite, reposez soigneusement cette conduite d'aspiration.
- e) **ROTATION:** La flèche sur le devant du corps de la pompe identifie la bonne rotation de la turbine en marche. Câblez le moteur de la manière décrite ci-dessus. Si la turbine ne tourne pas dans le bon sens, consultez les instructions de câblage du moteur.

ENTRETIEN

⚠ AVERTISSEMENT

- PRÉCAUTIONS ÉLECTRIQUES

Tous câblage, connexions électriques et mise à la terre des systèmes doivent se conformer au Code National d'Electricité (NEC) et aux codes et ordonnances locaux. Employez un électricien autorisé.

⚠ AVERTISSEMENT

- RISQUE DE CHOC ÉLECTRIQUE

Avant de procéder à l'entretien de l'équipement motorisé, coupez le courant sur le panneau électrique principal et débranchez l'alimentation du moteur et des accessoires. Utilisez des pratiques de travail sûres pendant l'entretien de l'équipement.

- a) **LUBRIFICATION:** La pompe elle-même n'exige aucun graissage. En ce qui concerne la lubrification et l'entretien du moteur, consultez les instructions fournies par son fabricant.
- b) **REMPACEMENT DU JOINT D'ÉTANCHÉITÉ:** Si c'est possible, consultez la liste des pièces de rechange et son illustration qui fait voir la position relative et le nom de chaque pièce. Il vous sera ainsi plus facile de suivre ces instructions.

Démontage:

- 1) Déconnectez la tuyauterie et le câblage.
- 2) Enlevez les quatre écrous pour démonter le corps de la pompe et le détacher du carter du moteur.
- 3) Enlevez le couvercle d'extrémité du moteur (au besoin).
- 4) Immobilisez le bout de l'arbre du moteur au moyen d'un tournevis et enlevez la turbine en la tournant en sens inverse des aiguilles d'une montre.
- 5) Détachez le joint à ressort de l'arbre et glissez la plaque d'étanchéité pour l'ôter.

- 6) Détachez le siège en céramique et son logement en caoutchouc de la plaque d'étanchéité.

Remontage:

- 1) Nettoyez bien toutes les pièces. Examinez-les car elles pourraient être endommagées ou trop usées.
- 2) N'appliquer du savon liquide que sur le caoutchouc du siège d'étanchéité fixe. Avec des pouces propres, presser le siège dans la plaque d'étanchéité. S'assurer que le siège est solidement en place et nettoyer avec un chiffon propre.
- 3) En faisant attention de ne pas endommager le siège en céramique, glissez la plaque d'étanchéité sur l'arbre.
- 4) Appliquer légèrement du savon liquide sur la bague de caoutchouc interne de l'assemblage de joint à ressort rotatif et la glisser sur l'arbre moteur en gardant le côté luisant de la rondelle en direction du siège de céramique.
- 5) Remontez la turbine sur l'arbre. Serrez-la uniquement "avec vos doigts".
- 6) Posez une nouvelle garniture d'étanchéité sur la plaque d'étanchéité.
- 7) Mettez le corps de la pompe en place. Ensuite, attachez le moteur en vous servant de nouvelles rondelles à ressort et des boulons actuels. Utilisez une colle de scellage sur le filetage des boulons afin d'empêcher les fuites d'eau. Ne serrez pas trop ces boulons.
- 8) En faisant tourner l'arbre du moteur manuellement, assurez-vous que la turbine n'entre pas en contact avec le corps de la pompe.
- 9) Reposez le couvercle d'extrémité du moteur (au besoin).
- 10) Reconnectez la tuyauterie et le câblage.
- 11) Réamorcer le système de la pompe.

PRÉCAUTIONS

- a) Après avoir remonté une pompe, assurez-vous toujours que sa turbine tourne librement à l'intérieur du corps de la pompe.

b) Ne séparez jamais le déflecteur de l'arbre du moteur, à moins qu'il ne soit devenu nécessaire de le remplacer par un

déflecteur d'eau neuf. Assurez-vous qu'il y a toujours un tel déflecteur sur le moteur.

GUIDE DE DÉPANNAGE

a) La pompe ne donne pas d'eau :

- 1) La pompe n'est pas complètement amorcée.
- 2) La turbine ne tourne pas librement à l'intérieur du corps de la pompe.
- 3) La hauteur d'aspiration est trop grande.
- 4) Le clapet de pied est sorti de l'eau, enfoui dans la boue ou engorgé.
- 5) La conduite d'aspiration est complètement obstruée.

b) La pompe donne de l'eau mais pas autant que prévu :

- 1) Il y a une fuite dans la canalisation d'aspiration ou de refoulement.

2) Le clapet de pied, la canalisation d'aspiration ou la turbine sont partiellement engorgés.

3) La hauteur d'aspiration est trop grande.

4) La turbine tourne incorrectement.

c) La pompe perd son amorçage :

1) Il y a infiltration d'air dans la canalisation d'aspiration ou le clapet de pied.

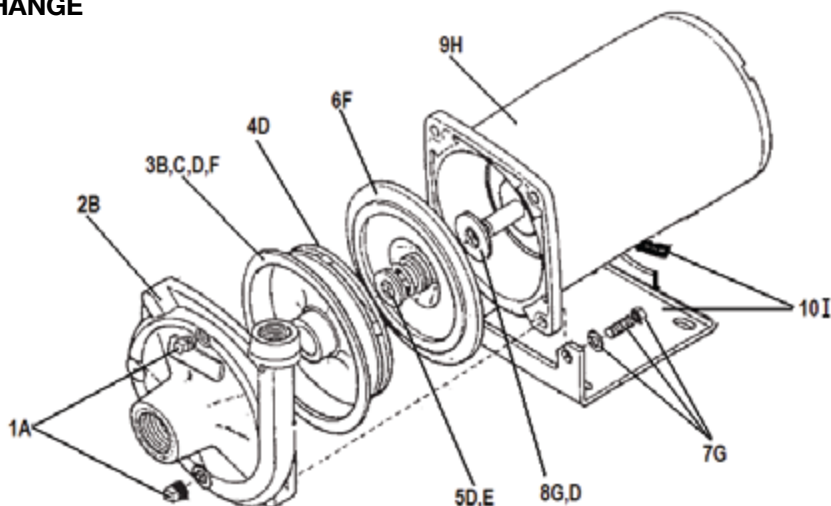
2) Le niveau de l'eau est trop bas dans le puits.

3) Le clapet de pied est défectueux.

d) Le moteur refuse de démarrer :

1) Il n'y a pas de courant à cause d'un fusible sauté, d'un commutateur ouvert ou d'une connexion desserrée.

PIÈCES DE RECHANGE



Numéro	Description	Identifiant du groupe de trousse	Codes de commande des pièces de rechange par numéro de modèle				
			1/2 hp	3/4 hp	1 hp	1-1/2 hp	2 hp
1	PTrousse de bouchons	A	305446953				
2	Boîtier	B	305446922				305446923
3	Joint d'étanchéité	C	305446932				305446933
		F	305446929				305446930
		D	305446924	305446925	305446926	305446927	305446928
4	Roue	D	305446924	305446925	305446926	305446927	305446928
5	Joint mécanique	E	106196218				
6	Plaque d'étanchéité	F	305446929				305446930
7	Trousse de fixation*	G	305446931				
8	Déflecteur	D	305446924	305446925	305446926	305446927	305446928
9	Moteur	H	305446955	305446956	305446957	305446958	305446959
10	Base	I	305446960				

Les articles aux identifiants similaires sont vendus/emballés ensemble

La trousse de fixation (7G) est un ensemble complet de ferrures utilisées pour assembler la pompe. Pour plus de commodité, les trousse B, D et F contiennent les attaches requises pour le réassemblage de ses composants.

GARANTIE LIMITÉE*

CETTE GARANTIE ÉNONCE LA SEULE OBLIGATION DE L'ENTREPRISE ET LE RECOURS EXCLUSIF DE L'ACHETEUR POUR LE PRODUIT DÉFECTUEUX.

Franklin Electric Company, Inc. et ses filiales (ci-après « la Société ») garantit que les produits accompagnés par cette garantie sont sans défauts de matière ou de fabrication de la Société.

La Société a le droit d'inspecter tout produit retourné sous garantie pour confirmer que le produit contient un défaut de matière ou de fabrication. La Société a le droit exclusif de choisir de réparer ou de remplacer du matériel, des pièces, ou des composants défectueux.

L'acheteur doit retourner le produit au lieu d'achat pour la contrepartie de garantie. Sous réserve des modalités et conditions énumérées ci-dessous, la Société s'engage à réparer ou à remplacer à l'acheteur toute partie de ce produit qui s'avère défectueuse en raison de matière ou de fabrication de la Société.

La Société tiendra compte des produits pour la garantie pendant 12 mois à compter de la date d'installation ou pendant 24 mois à compter de la date de fabrication, selon la première éventualité.

La Société ne sera EN AUCUN CAS tenue responsable pour les coûts du travail sur terrain ou autres frais encourus par un client concernant l'enlèvement et/ou l'apposition d'un produit, d'une partie ou d'un composant de celui-ci.

La Société se réserve le droit de modifier ou d'améliorer ses produits ou toutes parties de ceux-ci sans être obligé de fournir un tel changement ou une telle amélioration à des produits déjà vendus.

CETTE GARANTIE NE S'APPLIQUE PAS AUX produits endommagés par des cas de force majeure. Cela comprend la foudre, l'usure normale, des services d'entretien normaux et les pièces utilisées dans le cadre d'un tel service, ou toutes autres conditions au-delà du contrôle de la Société.

CETTE GARANTIE SERA IMMEDIATEMENT NULLE si l'une des conditions suivantes se matérialise :

1. Le produit est utilisé à des fins autres que celles pour lesquelles il a été conçu et fabriqué ;
2. Le produit n'a pas été installé conformément aux codes, ordonnances et bonnes pratiques commerciales applicables ;
3. Le produit n'a pas été installé par un Entrepreneur Certifié de Franklin ; ou
4. Le produit a été endommagé par suite de négligence, d'abus, d'accident, de mauvaise application, d'altération, de modification, de mauvaise installation, de fonctionnement, d'entretien ou de stockage, ou pour cause d'excès de maximums recommandés énoncés dans la notice du produit.

NI LE VENDEUR NI LA SOCIETE NE SERA RESPONSABLE POUR TOUT PRÉJUDICE, PERTES OU AVARIES DIRECTES, ACCESSOIRES OU CORRÉLATIVES (Y COMPRIS, MAIS SANS LIMITATION, AUX AVARIES ACCESSOIRES OU CORRÉLATIVES POUR PERTE DE PROFITS, PERTE DE CHIFFRE D'AFFAIRES, BLESSURES A LA PERSONNE OU PROPRIÉTÉ, OU TOUTE AUTRE PERTE ACCESSOIRE OU CORRÉLATIVE), DÉCOULANT DE L'UTILISATION OU DE L'INCAPACITE D'UTILISER LE PRODUIT, ET L'ACHETEUR RECONNAÎT QU'AUCUN AUTRE RECOURS NE SERA DISPONIBLE.

LA GARANTIE ET LE RECOURS DÉCRITS DANS CETTE GARANTIE LIMITÉE SONT UNE GARANTIE ET UN RECOURS EXCLUSIFS ET TIENNENT LIEU DE TOUTE AUTRE GARANTIE OU RECOURS, EXPLICITE OU IMPLICITE, DESQUELS LES AUTRES GARANTIES ET RECOURS SONT FORMELLEMENT EXCLUS, Y COMPRIS, MAIS SANS S'Y LIMITER, QUE TOUTE GARANTIE IMPLICITE DE QUALITE MARCHANDE OU D'ADEQUATION A UN USAGE PARTICULIER, DANS LA MESURE OU CELA POURRAIT S'APPLIQUER A UN PRODUIT, EST LIMITÉE EN DURÉE AUX PÉRIODES DES GARANTIES EXPRESSES INDIQUEES CI-DESSUS.

AVIS DE NON-RESPONSABILITE : Les déclarations orales concernant le produit effectuée par le vendeur, la Société, les représentants ou toutes autres parties, ne constituent pas une garantie. L'acheteur ne doit pas s'y fier, et elles ne font pas partie du contrat de vente. La seule obligation du vendeur et de la Société, et le seul recours de l'acheteur, doit être le remplacement et/ou la réparation, par la Société, du produit tel que décrit ci-dessus. Avant l'utilisation, l'utilisateur doit déterminer l'aptitude du produit pour son utilisation prévue, et l'utilisateur assume tous les risques et la responsabilité dans n'importe quel cadre avec lequel le produit sera associé.

Certains états et pays n'autorisent pas l'exclusion ou la limitation de la durée d'une garantie implicite ou l'exclusion ou la limitation des dommages fortuits ou corrélatifs, de sorte que les limitations ou exclusions ci-dessus peuvent ne pas s'appliquer à vous. Cette garantie vous donne des droits légaux spécifiques, et vous pouvez également avoir d'autres droits qui varient d'un état à l'autre et d'un pays à l'autre.

* Veuillez vous adresser à la section des exportations de Franklin Electric Co., Inc. pour des renseignements concernant la garantie internationale.



Franklin Electric

400 E. Spring Street, Bluffton, IN 46714
Tel: 260-824-2900 Fax: 260-824-2909
www.franklin-electric.com



Franklin Electric

WCE Bomba Centrífuga de Succión de Fondo

MANUAL DEL PROPIETARIO

⚠ ADVERTENCIAS DE SEGURIDAD



LEA ESTE MANUAL Y SIGA TODAS LAS REGLAS DE SEGURIDAD ANTES DE INSTALAR U OPERAR ESTA BOMBA.

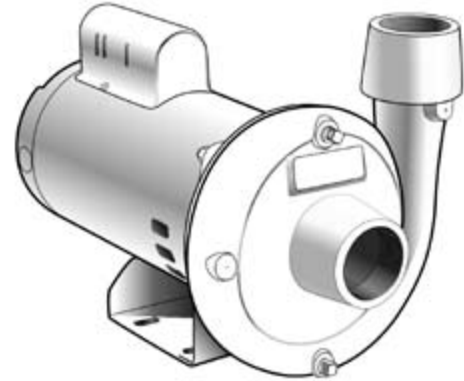
⚠ SEGURIDAD LEA CUIDADOSAMENTE ESTOS MENSAJES DE SEGURIDAD EN ESTE MANUAL Y EN LA BOMBA.

⚠ CUIDADO

- ¡NO HAGA FUNCIONAR LA BOMBA EN SECO!
- Revise cuidadosamente las instrucciones antes de usarla.

⚠ AVISO - PRECAUCIONES ELÉCTRICAS

Todo cableado, conexiones eléctricas y sistemas de contacto a tierra deben cumplir con el Código Eléctrico Nacional (NEC) y con cualquier código y ordenanza local. Contrate los servicios de un electricista con licencia. Para los motores sin protección térmica, utilice un control de motor aprobado que concuerde con la entrada de corriente del motor en carga completa de amperios, con elemento(s) de sobrecarga seleccionados o regulados de acuerdo a las instrucciones del control.



⚠ AVISO - RIESGO DE DESCARGA ELÉCTRICA

- Haga que un electricista conecte la electricidad al motor.
- Todo el cableado y las conexiones eléctricas deben cumplir con el Código Eléctrico Nacional (NEC) y con los códigos y ordenanzas locales.
- Se recomienda se use un circuito protegido por un Interruptor por Falla a Tierra (GFI) con cualquier aparato eléctrico que funcione cerca del agua.

APLICACIÓN

Esta bomba es para lugares donde la distancia vertical desde la bomba hasta el nivel del agua no excede los 25 pies (7.6 metros) desde el nivel más bajo del agua. Se debe tomar en consideración en todas las instalaciones las pérdidas por fricción en la tubería.

RENDIMIENTO

HP	Presión Total en Pies										
	20	30	40	50	60	70	80	100	120	140	150
	Capacidad en Galones Americanos por Minuto										
1/2	46	40	37	30	22	12	-	-	-	-	-
3/4	56	52	47	42	36	29	19	-	-	-	-
1	61	57	54	49	44	39	32	12	-	-	-
1-1/2	69	67	63	59	54	49	43	24	-	-	-
2	90	89	87	83	79	72	63	42	11	-	-
3	140	140	132	124	116	107	98	78	38	-	-
5	152	152	152	152	152	150	141	120	96	67	40

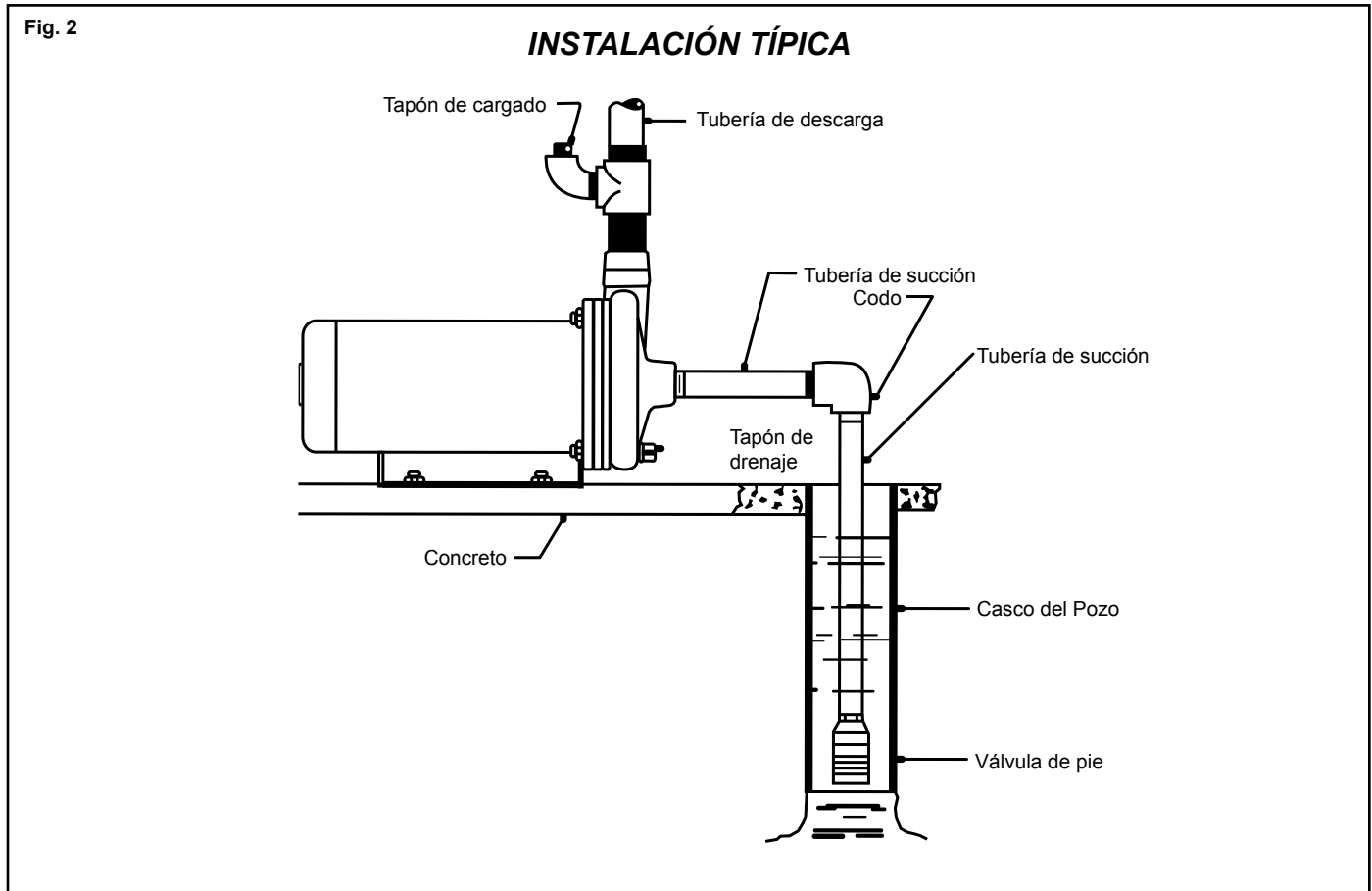
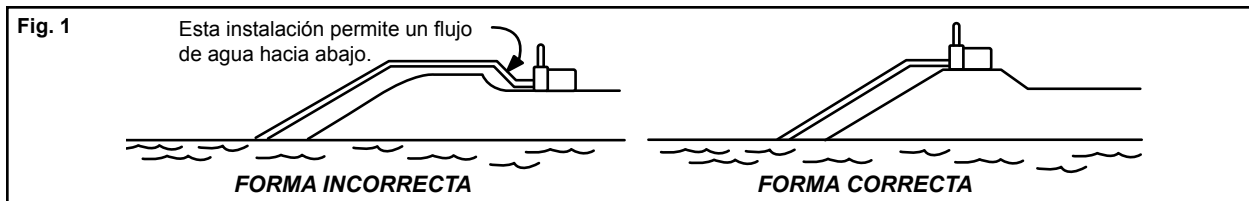
INSTALACIÓN

a) UBICACIÓN DE LA BOMBA: La bomba se debe instalar en un área limpia, seca y ventilada. Se debe proporcionar un drenaje adecuado y espacio suficiente para darle servicio. Se debe proteger contra temperaturas congelantes. La unidad debe estar empotrada a nivel a una buena base, preferiblemente de concreto, para prevenir tensiones innecesarias. El ubicar la bomba lo más cerca posible a la fuente de agua reduce las pérdidas por fricción en la tubería de succión y proporciona las capacidades máximas.

b) TUBERÍA DE SUCCIÓN: Antes de instalar la tubería de succión revise la rotación de la bomba tal como se indica a continuación. Se recomienda que se use solamente una tubería o manguera de succión nueva y que el tamaño sea el mismo que el de la toma de succión de la bomba. Si la bomba se instala a una distancia considerable de la fuente de agua, entonces la tubería de succión debe incrementarse un tamaño. La tubería de succión nunca debe tener un flujo de agua hacia abajo en sus conexiones entre la fuente de

agua y la bomba (Vea la Fig. 1). Se debe instalar una válvula de pie al fondo de la tubería de succión y ésta debe estar libre de cualquier obstrucción posible. Estas válvulas están disponibles en el proveedor de su bomba. Se debe asegurar que la válvula de pie permanezca sumergida en todo momento. Si hay desperdicios de gran tamaño en el punto de succión, instale un sistema de filtración para prevenir que los desperdicios entren

en la bomba. Se debe usar un compuesto sellador en todas las uniones de las tuberías. Todas las conexiones deben estar ajustadas firmemente. Una fuga en la tubería de succión puede prevenir un cargado completo y reducirá el rendimiento de la bomba. La fig. 2 muestra una instalación típica de la bomba.



c) TUBERÍA DE DESCARGA: Se debe instalar un tapón de cargado tal como se muestra en la Fig. 2. Las tuberías o mangueras largas aumentan la resistencia del flujo del agua, lo cual reduce la capacidad de bombeo. Utilice una tubería o manguera estándar aprobada adecuada para las presiones de bombeo que se generan, y use solamente los largos necesarios para llegar al punto de descarga. Evite el usar boquillas o acoplamientos reductores en la tubería de descarga si no son necesarios en su aplicación. La tubería o manguera de descarga debe ser por lo menos tan grande como la apertura de descarga con rosca en el casco de la bomba. Si se requiere tuberías largas, aumente el tamaño de la tubería o manguera de acuerdo al mismo. Evite curvas innecesarias en las tuberías. Una instalación adecuada permitirá un servicio eficiente de parte de su bomba.

d) CABLEADO: Todo cableado, conexiones eléctricas y sistemas de contacto a tierra deben cumplir con el Código Eléctrico Nacional (NEC) y con cualquier código y ordenanza local. Contrate los servicios de un electricista con licencia. Se recomienda que se lleve un circuito por separado del panel de distribución a la unidad de la bomba. Se debe instalar un interruptor con fusible adecuado en la línea, asegurándose que se usa el calibre correcto del cable para que soporte la corriente. Los conductores muy largos requerirán cables más largos. Para todos los motores trifásicos se debe instalar un interruptor termal manual de sobrecarga o un arrancador magnético con los elementos calentadores del tamaño adecuado. Se debe emplear a un electricista para que haga el cableado. Luego que se complete el cableado verifique la rotación del propulsor encendiendo el motor por solamente un segundo.

OPERACIÓN - CARGADO DE LA BOMBA

⚠ AVISO: NO OPERAR LA BOMBA ANTES DE CARGARLA, EL SELLO Y EL PROPULSOR PODRÍAN DAÑARSE PERMANENTEMENTE.

- a) **CARGADO:** Estas bombas no son de autocargado. Para un cargado óptimo, llene el casco de la bomba y la tubería de succión con agua.
Para cargar el casco.- Quite los tapones de cargado y drenaje (vea la fig. 2). Vierta agua limpia en el hueco de cargado. Vuelva a colocar el tapón de drenaje. Llene completamente el casco de la bomba. Haga rotar manualmente el eje del motor desde la parte posterior del motor para eliminar las burbujas de aire internas del casco. Vuelva a llenar, si fuera necesario, por el hueco de cargado. Vuelva a colocar el tapón de cargado.
- b) **ENCENDIDO:** El operar la bomba en seco puede dañar el sello lubricado con agua dentro de la bomba. Si la bomba no bombea agua en unos segundos, pare el motor y repita la operación de cargado. Pueden ser necesarios varios intentos para botar completamente el aire de la tubería de succión.
- c) **FUNCIONAMIENTO CONTINUO:** Revise en la bomba periódicamente piezas flojas o que estén en fricción. Dele servicio a la bomba inmediatamente si hay ruidos extraños, fugas o vibraciones.
- d) **DRENAJE:** Si la bomba va a estar expuesta a temperaturas congelantes, será necesario drenar completamente el líquido de la bomba y las tuberías. Para drenar el casco de la bomba quite los tapones de drenaje y de cargado. Desconecte la tubería de succión en una conexión cerca al casco de la bomba y deje que el agua se drene de la tubería. Opere la bomba por solamente unos segundos para sacar el agua del propulsor. Vuelva a colocar la tubería de succión limpiando cuidadosamente la rosca y aplicando un nuevo compuesto sellador a la rosca.
- e) **ROTACIÓN:** La flecha en la parte frontal del casco de la bomba indica la rotación correcta del propulsor durante su funcionamiento. Cablee el motor tal como se indica anteriormente. Si no está rotando en la dirección correcta vea las instrucciones de cableado del motor.

MANTENIMIENTO

⚠ AVISO - PRECAUCIONES ELÉCTRICAS

Todo cableado, conexiones eléctricas y sistemas de contacto a tierra deben cumplir con el Código Eléctrico Nacional (NEC) y con cualquier código y ordenanza local. Contrate los servicios de un electricista con licencia.

⚠ AVISO - RIESGO DE DESCARGA ELÉCTRICA

Antes de darle mantenimiento al equipo operado por motor, apague la fuente de poder en el panel principal eléctrico y desconecte la fuente de poder del motor y los accesorios. Aplique medidas de seguridad en el trabajo cuando le dé mantenimiento al equipo.

- a) **LUBRICACIÓN:** La bomba no necesita lubricación. Vea las instrucciones proporcionadas con el motor acerca de la lubricación del motor y su mantenimiento.
- b) **CAMBIO DEL SELLO:** Si está disponible, vea la lista de piezas de reparaciones mostrando la ubicación relativa y los nombres de todos los componentes para ayudarle a seguir estas instrucciones.

Desensamblaje:

- 1) Desconecte las tuberías y el cableado.
- 2) Quite las cuatro tuercas para desmontar el casco de la bomba de la caja del motor.
- 3) Quite la tapa del final del motor (si fuera necesario).
- 4) Fije el final del eje del motor con un destornillador y quite el propulsor dándole vueltas al contrario de las manecillas del reloj.
- 5) Quite el sello con resorte del eje y saque la plancha selladora deslizándola.
- 6) Quite el asiento de cerámica y su caja de goma de la plancha selladora.

Ensamblaje:

- 1) Limpie completamente todas las piezas. Revise si hay daño o desgaste.
- 2) Lave con jabón líquido solamente la parte de goma del asiento del sello estacionario. Use solamente sus dedos limpios para presionar el asiento en la plancha selladora. Asegúrese que el asiento esté completamente asentado y límpielo con un trapo.
- 3) Deslice la plancha selladora sobre el eje, teniendo cuidado de no dañar el asiento de cerámica.
- 4) Jabone ligeramente el anillo de goma interno del conjunto del sello con resorte rotativo y deslícelo en el eje del motor, con el lado brillante del anillo hacia el asiento de cerámica.
- 5) Vuelva a ensamblar el propulsor en el eje. Ajuste con la mano solamente.
- 6) Coloque una nueva junta en la plancha selladora.
- 7) Ponga el casco en su posición y una el motor usando arandelas de resorte nuevas y los pernos ya existentes. Utilice un sellador en los pestillos para evitar escapes de agua. No sobreajuste los pernos.
- 8) Verifique que el propulsor no esté frotando con el casco de la bomba haciendo rotar el eje del motor con la mano.
- 9) Vuelva a colocar la tapa del final del motor (si fuera necesario).
- 10) Vuelva a conectar las tuberías y los cables.
- 11) Vuelva a cargar el sistema de la bomba.

PRECAUCIONES

- a) Cuando haya que volver a ensamblar la bomba, vea que el propulsor gira libremente dentro del casco.
- b) Nunca quite el anillo de goma para el agua del eje del motor

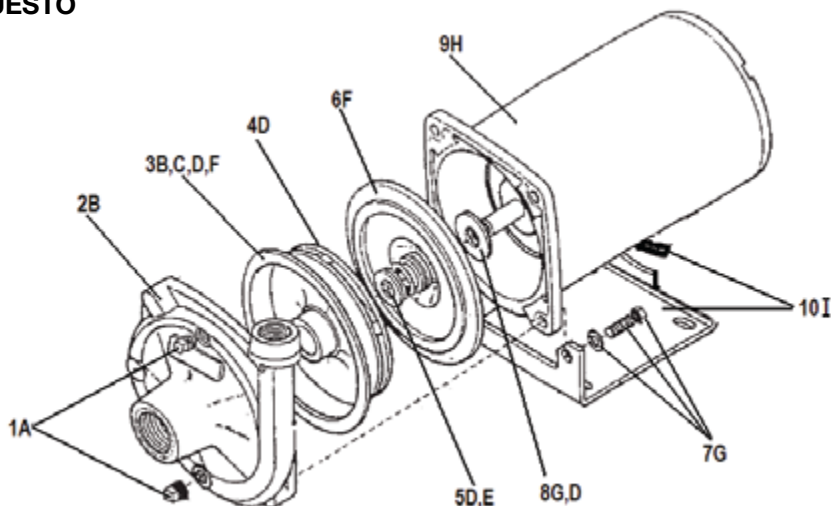
a menos que tenga que reemplazar un anillo de goma dañado.

Asegúrese que el motor tenga instalado en todo momento un anillo de goma.

GUÍA PARA DETECTAR PROBLEMAS

- a) La bomba no bombea agua:**
- 1) La bomba no está cargado adecuadamente.
 - 2) El propulsor no gira libremente dentro del casco.
 - 3) La elevación por succión es demasiada.
 - 4) La válvula de pie no está sumergida, está enterrada en lodo o está bloqueada.
 - 5) La tubería de succión está completamente atorada.
- b) La bomba saca agua pero en menor cantidad de lo que debe:**
- 1) Fugas en la línea de succión o descarga.
 - 2) La válvula de pie, la tubería de succión, o el propulsor están parcialmente bloqueados.
- 3) La elevación por succión es mayor que la que se recomienda.**
- 4) Rotación inadecuada del propulsor.**
- c) La bomba pierde el agua que se le carga:**
- 1) Hay una fuga de aire en la línea de succión.
 - 2) Nivel de sacado de agua del pozo está muy abajo.
 - 3) Válvula de pie defectuosa.
- d) El motor no prende:**
- 1) No hay electricidad debido a fusibles quemados, interruptores abiertos o conexiones sueltas.

PIEZAS DE REPUESTO



Número	Descripción	Identificador del grupo del kit	Repair Part Order Codes by Model Number				
			1/2 hp	3/4 hp	1 hp	1-1/2 hp	2 hp
1	Kit de tapones	A	305446953				
2	Funda	B	305446922				305446923
3	Empaquetadura	C	305446932				305446933
		F	305446929				305446930
4	Impulsor	D	305446924	305446925	305446926	305446927	305446928
5	Sello mecánico	E	106196218				
6	Placa de sello	F	305446929				305446930
7	Juego de sujetadores*	G	305446931				
8	Lubricador	D	305446924	305446925	305446926	305446927	305446928
9	Motor	H	305446955	305446956	305446957	305446958	305446959
10	Ensamble de la base	I	305446960				

Los elementos con identificadores iguales se venden/empaican juntos

El kit de sujetadores (7G) es un juego completo de las piezas utilizadas para ensamblar la bomba. Con fines prácticos, los kits de reparación B, D, y F contienen los sujetadores necesarios para volver a armar sus componentes.

GARANTÍA LIMITADA*

LA PRESENTE GARANTÍA ESTABLECE LA OBLIGACIÓN EXCLUSIVA DE LA EMPRESA Y LA SOLUCIÓN EXCLUSIVA DEL COMPRADOR ANTE UN PRODUCTO DEFECTUOSO.

Franklin Electric Company, Inc. y sus filiales (de aquí en adelante, "la Empresa") garantizan los productos que acompañan esta garantía contra defectos de material o mano de obra de la Empresa.

La Empresa tiene el derecho de inspeccionar cualquier producto devuelto en garantía para confirmar que dicho producto tiene un defecto de material o mano de obra. La Empresa tiene el derecho exclusivo de elegir si desea reparar o reemplazar los equipos, las piezas o los componentes defectuosos.

El comprador debe devolver el producto al lugar de compra para que se considere su garantía. Con sujeción a los términos y condiciones enumerados a continuación, la Empresa reparará o reemplazará al comprador cualquier parte de este producto que resulte defectuosa como consecuencia del material o la mano de obra de la Empresa.

La Empresa considerará los productos para su garantía durante 12 meses a partir de la fecha de instalación o durante 24 meses a partir de la fecha de fabricación, lo que suceda primero.

EN NINGÚN CASO la Empresa se responsabilizará por el costo de mano de obra ni por otros costos en los que haya incurrido un cliente al sacar y/o colocar un producto, pieza o componente.

La Empresa se reserva el derecho de cambiar o mejorar sus productos o cualquiera de sus partes sin verse obligada a ofrecer dicho cambio o mejora a productos vendidos anteriormente.

ESTA GARANTÍA NO SE APLICA A los productos dañados por casos de fuerza mayor, como rayos, desgaste y rotura normales, servicios de mantenimiento normales y las piezas utilizadas en conexión con dichos servicios, ni otras condiciones que excedan el control de la Empresa.

Cualquiera de las condiciones expuestas a continuación INVALIDARÁ INMEDIATAMENTE ESTA GARANTÍA:

1. El producto se utiliza para fines que no son para los que fue diseñado y fabricado;
2. El producto no se instaló de conformidad con los códigos, ordenanzas y prácticas comerciales aceptadas aplicables;
3. El producto no fue instalado por un contratista certificado por Franklin; o
4. El producto se dañó como consecuencia de descuido, abuso, accidente, uso indebido, manipulación, alteración, instalación impropia, operación, mantenimiento o almacenamiento, o por superar los valores máximos recomendados establecidos en las instrucciones del producto.

TANTO EL VENDEDOR COMO LA EMPRESA NO SE RESPONSABILIZARÁN POR NINGUNA LESIÓN, PÉRDIDA O DAÑO, DIRECTO, ACCIDENTAL O CONSECUENTE (INCLUIDOS, ENTRE OTROS, DAÑOS ACCIDENTALES O CONSECUENTES POR GANANCIAS PERDIDAS, VENTAS PERDIDAS, LESIONES PERSONALES O DAÑOS MATERIALES, O CUALQUIER OTRA PÉRDIDA ACCIDENTAL O CONSECUENTE) QUE SURJA DEL USO O LA INCAPACIDAD DE USO DEL PRODUCTO, Y EL COMPRADOR ACEPTA QUE NO HABRÁ OTRA SOLUCIÓN PARA ELLO.

LA GARANTÍA Y SOLUCIÓN DESCRITAS EN ESTA GARANTÍA LIMITADA CONSTITUYEN UNA GARANTÍA Y SOLUCIÓN EXCLUSIVAS, Y SUSTITUYEN CUALQUIER OTRA GARANTÍA O SOLUCIÓN, EXPLÍCITA O IMPLÍCITA, QUE OTRAS GARANTÍAS Y SOLUCIONES QUEDAN EXPLÍCITAMENTE EXCLUIDAS, INCLUIDAS, A MODO DE EJEMPLO, CUALQUIER GARANTÍA IMPLÍCITA DE MERCANTIBILIDAD O ADECUACIÓN PARA UNA FINALIDAD ESPECÍFICA, AL PUNTO EN QUE CUALQUIERA SE APLICA A UN PRODUCTO, TENDRÁ UNA DURACIÓN LIMITADA A LOS PERIODOS DE LAS GARANTÍAS EXPLÍCITAS QUE SE MENCIONARON ANTERIORMENTE.

DESCARGO DE RESPONSABILIDAD: Todas las afirmaciones verbales acerca del producto realizadas por el vendedor, la Empresa, los representantes o cualquier otra parte no constituyen garantías, no deben ser tenidas en cuenta por el comprador y no forman parte del contrato de compraventa. La única obligación del comprador y de la Empresa, y la única solución del comprador, será el reemplazo y/o la reparación del producto por parte de la Empresa, tal como se describe anteriormente. Antes de usar el producto, el usuario debe determinar si éste es adecuado para el uso que se le desea dar, y el usuario asume todo riesgo y responsabilidad en conexión con dicho uso.

Algunos estados y países no permiten la exclusión o limitación de la duración de garantías implícitas, o la exclusión o limitación por daños accidentales o consecuentes; por eso, la exclusión o limitación anterior puede no aplicarse en este caso. Esta garantía le otorga derechos legales específicos, y usted también puede tener otros derechos que varíen según el estado o el país.

*Contacte la División de Exportación de Franklin Electric Co., Inc. para informarse sobre Garantía Internacional.



Franklin Electric

400 E. Spring Street, Bluffton, IN 46714
Tel: 260-824-2900 Fax: 260-824-2909
www.franklin-electric.com