

LOG LIGHTER VALVE

952 & 954 SERIES

HearthMaster™

SPECIFICATION

Sioux Chief 952 & 954 Series HearthMaster log lighter gas ball valves shall be used for controlling fuel gas to log lighters, fire pits, barbecues and other locations where similar type valve is required. Valve shall have a brass valve body, chrome-plated ball, and P.T.F.E. seats. Log lighter valve shall be CSA certified, manufactured in compliance with ANSI Z21.15-09, and UPC listed.

INSTALLATION

Product installation and system testing shall be in accordance with NFPA 54 and ANSI Z223.1-12-1 National Gas Fuel Code. Follow manufacturer's installation instructions carefully. Sioux Chief's log lighter and it's individual shut off valve must be disconnected from the gas supply piping system during any pressure testing of that system at test pressures in excess of ½ psig, by closing the gas supply line valve, as required by NFPA 54.

MATERIALS

Valve body: brass

Ball: chrome-plated brass

Seats: polytetrafluoroethylene (P.T.F.E.)

APPROVED USES

Sioux Chief HearthMaster log lighter gas ball valves are approved for use with natural gas and liquid propane gas.

CONNECTION

Valve inlet/outlet: ½" FIP thread

Stem: ¾" NPSM thread

BTU RATING

Angle pattern: 150,000 BTU/hr. @ ½ psig

Straight pattern: 350,000 BTU/hr. @ ½ psig

TEMPERATURE RATING

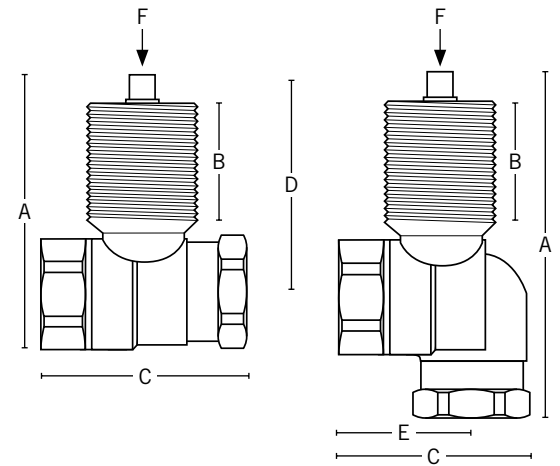
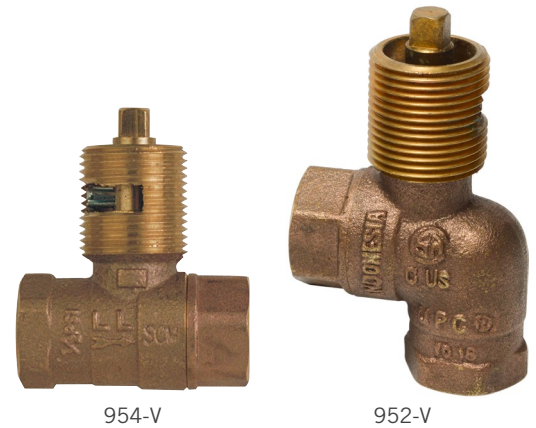
Minimum: 32°F / 0°C

Maximum: 125°F / 51.6°C

DIMENSIONS

	Straight	Angle
A: overall height	2 1/16"	3 1/4"
B: thread height	1"	1"
C: overall width	2"	2"
D: top to centerline	2 1/16"	2 1/8"
E: side to centerline	—	1 1/2"
F: valve stem (square)	5/16"	5/16"

ITEM # SUBMITTED	_____
JOB NAME	_____
LOCATION	_____
ENGINEER	_____
CONTRACTOR	_____
PO#	_____ TAG _____



Create Item Number

95A

e.g. 952-V: angle pattern log lighter gas ball valve

VALVE PATTERN A

2-V = angle pattern valve

4-V = straight pattern valve