

209LF Frost Free Sillcock • Spec Sheet

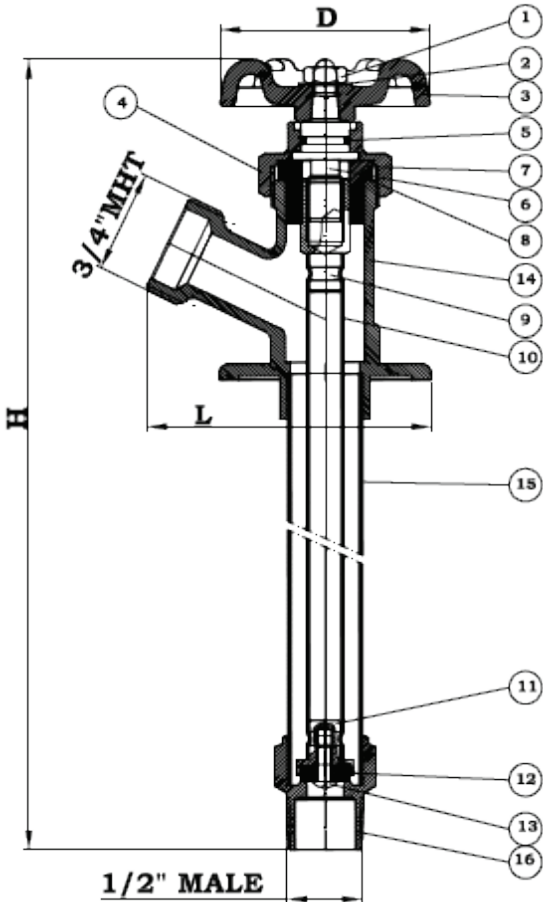


FEATURES & BENEFITS

- Lead Free Brass*
- 150 WOG
- ISO-9002
- 1/2" MIP & 1/2" Sweat X Hose

DIMENSIONS

Part #	Size	H	D	L
209008LF	1/2" MIP X 1/2" Sweat - 8"	12.14	2.13	2.72
209012LF	1/2" MIP X 1/2" Sweat - 12"	12.14	2.13	2.72



MATERIAL SPECIFICATIONS

No.	Part	Material
1	Wheel Nut	Rod Carbon Steel SAE 1006
2	Name Plate	Aluminum A 1070
3	Handle Wheel	Cast Iron
4	Bonnet	Brass C89550
5	O-Ring	Rubber SAE No 1052#
6	Stem	Brass C89550
7	Packing	Plastic
8	Gland Packing	Rubber SAE No 1052#
9	Stem Hole	Brass C89550
10	Stem Pipe	Brass C89550
11	Seat House	Brass C89550
12	Seat Packing	Rubber SAE No 1052#
13	Seat Screw	Brass C89550
14	Body	Brass C89550
15	Drain Pipe	Brass C89550
16	Drain Bolt	Brass C89550

* These product complies with 0.25% weighted average lead content on wetted surfaces in accordance with Safe Water Drinking Act (SDWA) / Federal Public Law No. 111-380.



Global sourcing. National compliance. Local service.

CALIFORNIA 5593 Fresca Dr., La Palma CA 90623 • Toll Free: 866-532-8306 • Fax: 866-532-8307
TEXAS 1150 Silber Rd., Houston TX 77055 • Toll Free: 800-935-5456 • Fax: 713-680-2999
NEW YORK PO Box 27, Rt. 22, Brewster NY 10509 • Toll Free: 800-431-2082 • Fax: 845-278-9056
 WEB: www.matco-norca.com EMAIL: mail@matco-norca.com

2094LF Frost Free Sillcock • Spec Sheet

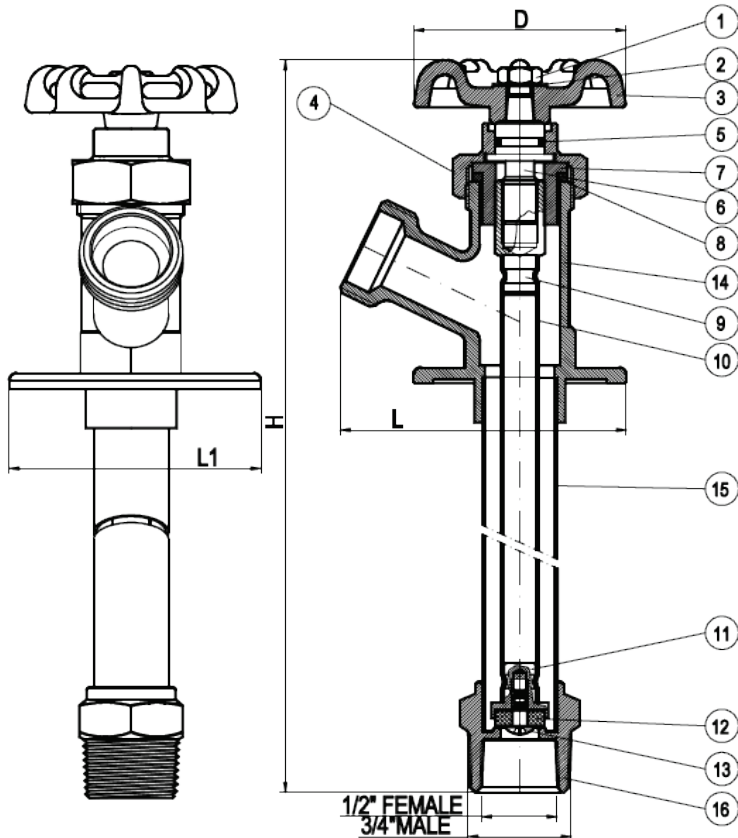


FEATURES & BENEFITS

- Lead Free Brass*
- 150 WOG
- ISO-9002
- 3/4" MIP & 1/2" FIP X Hose

DIMENSIONS

Part #	Size	H	D	L	L1
209410LF	3/4" MIP X 1/2" FIP - 10"	14.18	2.13	2.72	2.80
209412LF	3/4" MIP X 1/2" FIP - 12"	16.08	2.13	2.72	2.80



MATERIAL SPECIFICATIONS

No.	Part	Material
1	Wheel Nut	Hot Rolled Wire Rods
2	Name Plate	Aluminum A 1070
3	Handle Wheel	Rod Carbon Steel SAE 1006
4	Bonnet	Brass C89550
5	O-Ring	Rubber SN-719F
6	Stem	Brass C89550
7	Packing	Plastic POM-M90
8	Gland Packing	Rubber SN-719F
9	Stem Hole	Brass C89550
10	Stem Pipe	Brass C26000
11	Seat House	Brass B124 C37700
12	Seat Packing	Rubber SN-719F
13	Seat Screw	Brass C26000
14	Body	Brass C89550
15	Drain Pipe	Brass C26000
16	Drain Bolt	Brass C89550

* These product complies with 0.25% weighted average lead content on wetted surfaces in accordance with Safe Water Drinking Act (SDWA) / Federal Public Law No. 111-380.



Global sourcing. National compliance. Local service.

CALIFORNIA 5593 Fresca Dr., La Palma CA 90623 • Toll Free: 866-532-8306 • Fax: 866-532-8307
TEXAS 1150 Silber Rd., Houston TX 77055 • Toll Free: 800-935-5456 • Fax: 713-680-2999
NEW YORK PO Box 27, Rt. 22, Brewster NY 10509 • Toll Free: 800-431-2082 • Fax: 845-278-9056
 WEB: www.matco-norca.com EMAIL: mail@matco-norca.com