

# 212PXLF Frost Free Pex Sillcock • Spec Sheet



## FEATURES & BENEFITS

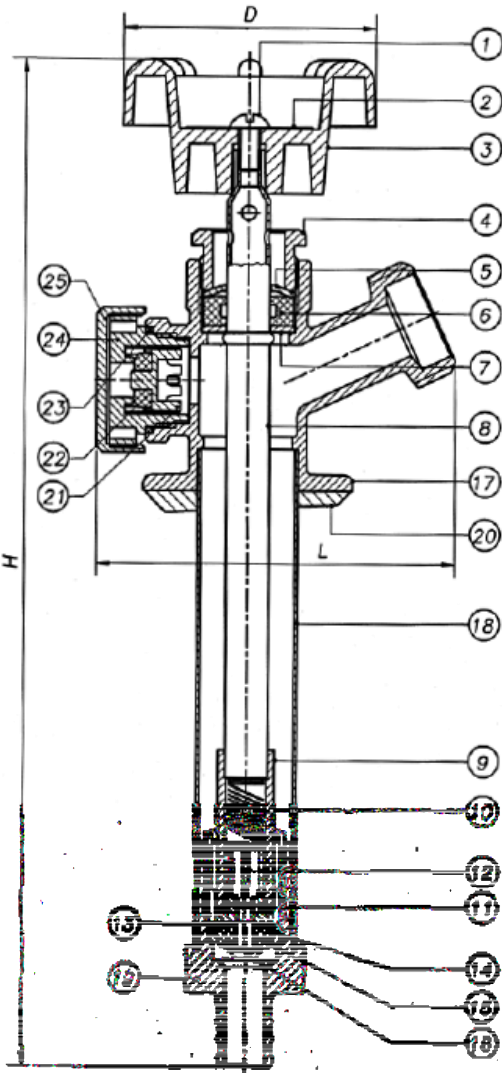
- Chrome-Plated Lead Free Brass\*
- ISO 9002
- 150 WOG
- Anti-Siphon
- Temperature Rating 180°F
- CSA, ASSE, NSF, UPC & IAPMO Approved
- 1/2" Pex Inlet
- 2" - 12" Length

## MATERIAL SPECIFICATIONS

No.	Part	Material
1	Handle Bolt	Brass C26000
2	Name Plate	Aluminum A 1100
3	Handle Wheel	Zinc Z30A
4	Bonnet	Brass C37700
5	Washer	Stainless Steel 304
6	Packing	Rubber SN-919F
7	Washer	Stainless Steel 304
8	Stem Pipe	Brass C27000
9	Stem	Brass C46400
10	Spring	Stainless Steel 304
11	O-Ring	Rubber SN-919F
12	Spring Seat	Brass C46400
13	Flapper	Rubber SN-919F
14	Seat Holder	Brass C26000
15	Seat Packing	Rubber SN-919F
16	Seat Screw	Brass C26000
17	Body	Brass C89550
18	Pipe Flow	Brass C27000
19	Nipple	Brass C46400
20	Flange Packing	Plastic
21	Floating	Plastic
22	Floating Pack	Rubber SN-919F
23	O-Ring	Rubber SN-919F
24	Bolt Packing	Plastic
25	Cap	Brass C37700

## DIMENSIONS

Part #	Size	D	H	L
212002PXLF	2"	2.21	6.62	3.07
212004PXLF	4"	2.21	8.63	3.07
212006PXLF	6"	2.21	10.64	3.07
212008PXLF	8"	2.21	12.65	3.07
212010PXLF	10"	2.21	14.66	3.07
212012PXLF	12"	2.21	16.71	3.07
212014PXLF	14"	2.21	18.72	3.07



\* These product complies with 0.25% weighted average lead content on wetted surfaces in accordance with Safe Water Drinking Act (SDWA) / Federal Public Law No. 111-380.

Global sourcing. National compliance. Local service.