

# 523 PVC In-Line Check Valve • Spec Sheet



## FEATURES & BENEFITS

- In-Line Check Valve-Spring Loaded
- 200 PSI at 77 Deg. F (25 Deg. C)
- Threaded or Solvent Ends
- One aPiece
- .5 PSI Spring Loaded
- .516 Crack Pressure
- Maintenance Free Operation
- Sizes 1/2" - 2"

## APPLICATIONS

Stops Backflow & Syphoning for Swimming Pools, Hot Tubs & Spas, Industrial Applications, Agricultural, & Solar Installations

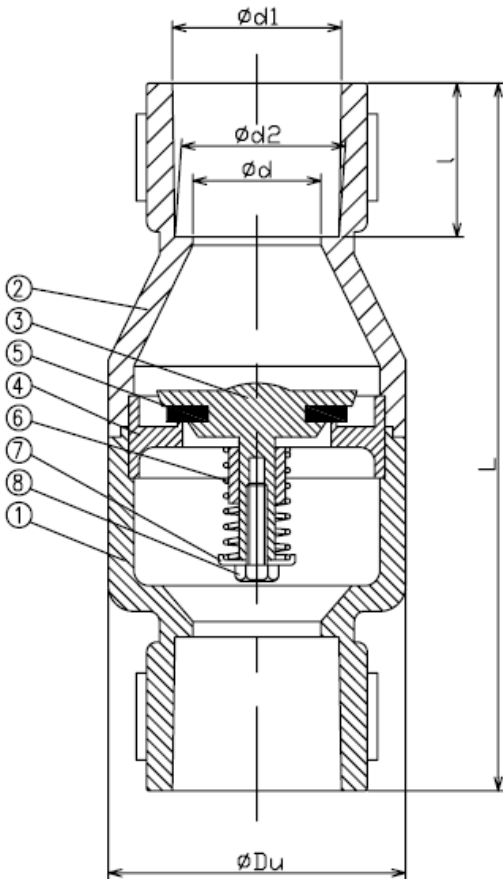
## MATERIAL SPECIFICATIONS

No.	Part	Material
1	Body Entrance	PVC
2	Body Exit	PVC
3	Valve Gate	PVC
4	Spigot	PVC
5	Sealing Ring	EPDM
6	Spring	SS304
7	Spring Washer	SS302
8	Bolt	SS302

## DIMENSIONS

Size	Part # (Threaded)	Part # (Solvent)	L	Ød	Ødu	Ød1	Ød2	I	*CV
1/2"	523T03	523S03	4.10	0.67	1.77	0.85	0.84	0.91	7.16
3/4"	523T04	523S04	4.53	0.87	1.77	1.06	1.05	1.02	7.93
1"	523T05	523S05	5.48	1.06	2.32	1.33	1.31	1.18	16.53
1-1/4"	523T06	523S06	5.48	1.28	3.19	1.67	1.66	1.30	27.52
1-1/2"	523T07	523S07	6.38	1.52	3.19	1.91	1.90	1.42	32.14
2"	523T08	523S08	7.74	1.97	4.20	2.39	2.37	1.62	47.46

\*The Cv Factor is the gallons of water per minute passed through the valve with a 1PSI pressure drop.



**MATCO-NORCA**

Global sourcing. National compliance. Local service.