

525TLF Inline Check Valve • Spec Sheet

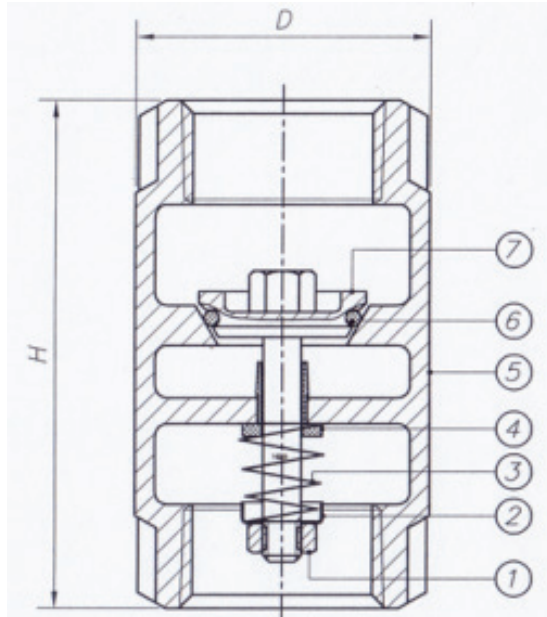


FEATURES & BENEFITS

- Lead Free Bronze*
- In-Line Check Valve - Spring Loaded
- 200 CWP
- 0.516 Crack Pressure
- Threaded Ends Comply with ANSI B2.1
- ISO-9002
- Sizes 1/2" – 4"

DIMENSIONS

Part #	Size	D	H
525T03LF	1/2"	1.26	2.40
525T04LF	3/4"	1.50	2.74
525T05LF	1"	1.77	3.23
525T06LF	1-1/4"	2.13	3.62
525T07LF	1-1/2"	2.36	4.04
525T08LF	2"	3.03	5.04
525T10LF	3"	4.22	7.29
525T11LF	4"	5.48	10.44



MATERIAL SPECIFICATIONS

No.	Part	Material
1	Stem Nut	Stainless Steel 304
2	Spring Holder	Stainless Steel 304
3	Spring	Stainless Steel 304
4	Stem House	Plastic
5	Body	Bronze C89844
6	O-Ring	BUNA SN-919F
7	Stem	Bronze C89844



Global sourcing. National compliance. Local service.

525CLF Inline Check Valve • Spec Sheet

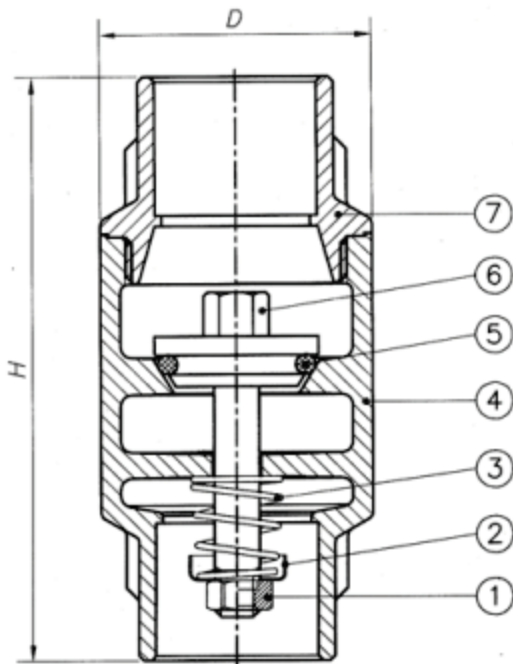


FEATURES & BENEFITS

- Lead Free Bronze*
- In-Line Check Valve - Spring Loaded
- 200 CWP
- 0.516 Crack Pressure
- Sweat Ends Comply with ANSI B16.18
- ISO-9002
- Sizes 1/2" – 2"

DIMENSIONS

Part #	Size	D	H
525C03LF	1/2"	1.26	2.77
525C04LF	3/4"	1.50	3.53
525C05LF	1"	1.77	4.09
525C06LF	1-1/4"	2.17	4.67
525C07LF	1-1/2"	2.37	4.93
525C08LF	2"	3.05	6.06



MATERIAL SPECIFICATIONS

No.	Part	Material
1	Stem Nut	Stainless Steel 304
2	Spring Holder	Stainless Steel 304
3	Spring	Stainless Steel 304
4	Body	Bronze C89844
5	O-Ring	BUNA SN-919F
6	Stem	Bronze C89844
7	Bonnet	Bronze C89844



Global sourcing. National compliance. Local service.

CALIFORNIA 5593 Fresca Dr., La Palma CA 90623 • Toll Free: 866-532-8306 • Fax: 866-532-8307
TEXAS 1150 Silber Rd., Houston TX 77055 • Toll Free: 800-935-5456 • Fax: 713-680-2999
NEW YORK PO Box 27, Rt. 22, Brewster NY 10509 • Toll Free: 800-431-2082 • Fax: 845-278-9056
 WEB: www.matco-norca.com EMAIL: mail@matco-norca.com