

646BVLF Hose Bibb • Spec Sheet



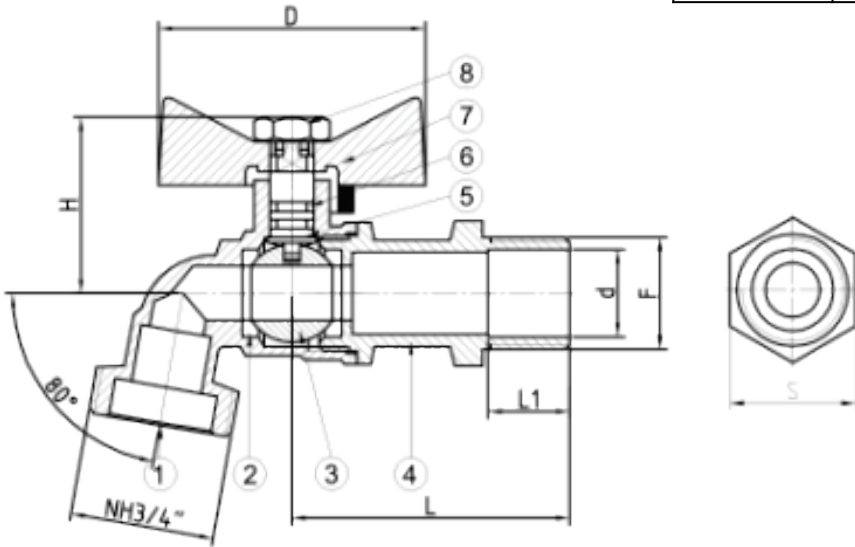
*Product will have LF imprinted on the body for Lead Free

FEATURES & BENEFITS

- Lead Free Forged Brass*
- 125 WOG
- Hose Bibb-Male
- Ball Valve Type
- Hose x MIP 1/2" and 3/4"
- 1/2" MIP x 1/2" Solder Inlet
- Replacement Handles Available

DIMENSIONS

Part #	Size (F)	D	H	L	d	S	L1
646BV03LF	1/2"	1.93	1.58	2.01	0.63	0.91	0.59
646BV04LF	3/4"	1.93	1.58	2.19	0.75	1.08	0.91



MATERIAL SPECIFICATIONS

No.	Part	Material
1	Body	Lead Free Brass
2	Seating	PTFE
3	Ball	Lead Free Brass
4	Bonnet	Lead Free Brass
5	Stem	Brass
6	O-Ring	NBR
7	Handle	Iron
8	Screw	Iron

* These product complies with 0.25% weighted average lead content on wetted surfaces in accordance with Safe Water Drinking Act (SDWA) / Federal Public Law No. 111-380.



Global sourcing. National compliance. Local service.

CALIFORNIA 5593 Fresca Dr., La Palma CA 90623 • Toll Free: 866-532-8306 • Fax: 866-532-8307
TEXAS 1150 Silber Rd., Houston TX 77055 • Toll Free: 800-935-5456 • Fax: 713-680-2999
NEW YORK PO Box 27, Rt. 22, Brewster NY 10509 • Toll Free: 800-431-2082 • Fax: 845-278-9056
 WEB: www.matco-norca.com EMAIL: mail@matco-norca.com