

FY-155 & FY-156 OPEN GRID P.O. PLUG WITH TAILPIECE

❖17 GAUGE

❖CHROME PLATED BRASS

❖INDIVIDUALLY BAGGED & BOXED

PRODUCT SPEC SHEET

FY-155 - 4"



FY-156 - 6"



CORPORATE HEADQUARTERS
MATCO-NORCA, INC.
BREWSTER, NEW YORK

P. O. Box 27 ROUTE 22

TEL: 845-278-7570

TOLL FREE: 800-431-2082

BREWSTER, NY 10509

FAX: 845-278-9056

FAX: 800-640-2252

Visit our web site: www.matco-norca.com

email: mail@matco-norca.com



MATCO-NORCA™

WESTERN REGION
MATCO-NORCA, INC.
LA PALMA, CALIFORNIA

5593 FRESCA DRIVE

TEL: 714-522-1889

TOLL FREE: 866-532-8306

LA PALMA, CA 90623

FAX: 714-522-3828

FAX: 866-532-8307

CENTRAL REGION
MATCO-NORCA, INC.
HOUSTON, TEXAS

1150 SILBER ROAD

TEL: 713-680-2888

TOLL FREE: 800-935-5456

HOUSTON, TX 77055

FAX: 713-680-2999

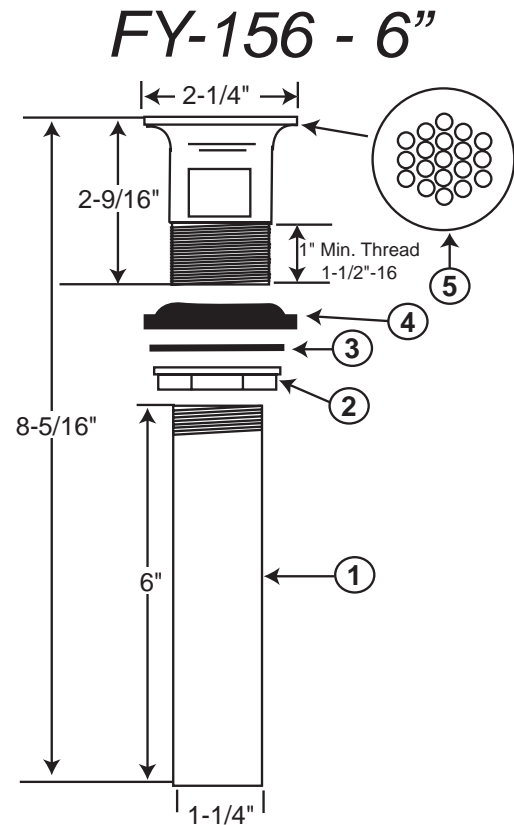
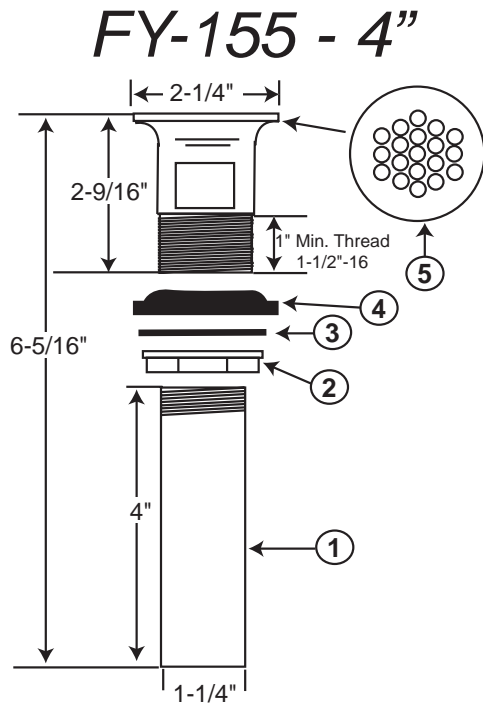
FAX: 800-683-4247

FY-155 & FY-156 OPEN GRID P.O. PLUG WITH TAILPIECE

❖ 17 GAUGE

❖ CHROME PLATED BRASS

❖ INDIVIDUALLY BAGGED & BOXED



MATERIAL SPECIFICATIONS		
No.	PARTS	MATERIALS
1	Tail Piece	17 Gauge Chrome Plated Brass
2	Lock Nut	Brass
3	Friction Washer	Fiber
4	Washer	Rubber
5	19 Hole-7/32" Grid	Heavy Duty Polished Chrome Cast Brass

BREWSTER, NY
TEL: 800-431-2082 FAX: 800-640-2252
VISIT OUR WEBSITE: www.matco-norca.com



HOUSTON, TX
TEL: 800-935-5456 FAX: 800-683-4247
LA PALMA, CA
TEL: 866-532-8306 FAX: 866-532-8307