

SS-185B Sink Strainer • Spec Sheet

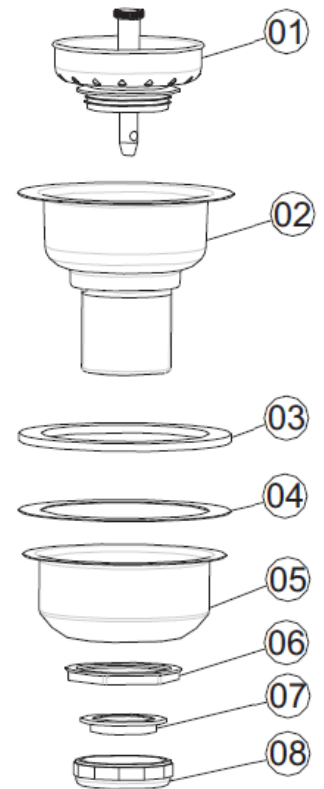
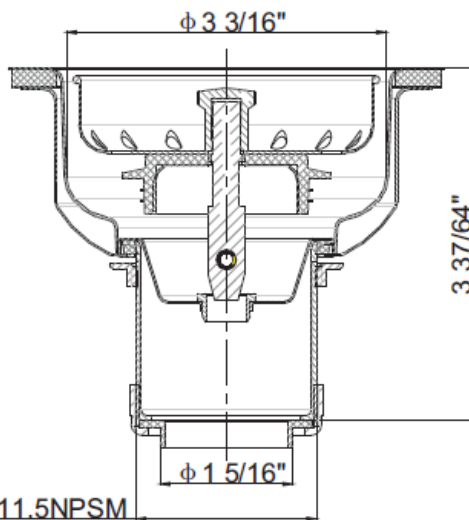
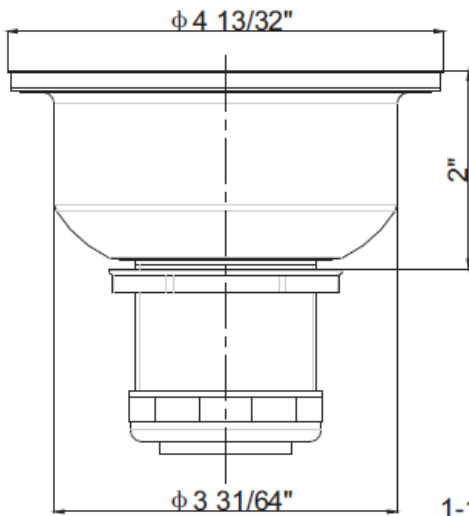


FEATURES & BENEFITS

- Stainless Steel Sink Strainer
- Fits 3-1/2" to 4" Openings
- cUPC Approved
- Deep Double Cup
- Long Shank
- Snap Lock Basket
- With Ribbed Rubber Washer
- Brass Slipnut

MATERIAL SPECIFICATIONS

No.	Part	Material
1	Basket	Brass + S.S + NBR
2	Body	SS 304
3	Washer	NBR
4	Washer	Paper
5	Cup	Steel
6	Lock Nut	Zince
7	Tailpiece	PE
8	Cooling Nut	Brass



MATCO-NORCA
 Global sourcing. National compliance. Local service.

CALIFORNIA 5593 Fresca Dr., La Palma CA 90623 • Toll Free: 866-532-8306 • Fax: 866-532-8307
TEXAS 1150 Silber Rd., Houston TX 77055 • Toll Free: 800-935-5456 • Fax: 713-680-2999
NEW YORK PO Box 27, Rt. 22, Brewster NY 10509 • Toll Free: 800-431-2082 • Fax: 845-278-9056
 WEB: www.matco-norca.com EMAIL: mail@matco-norca.com