

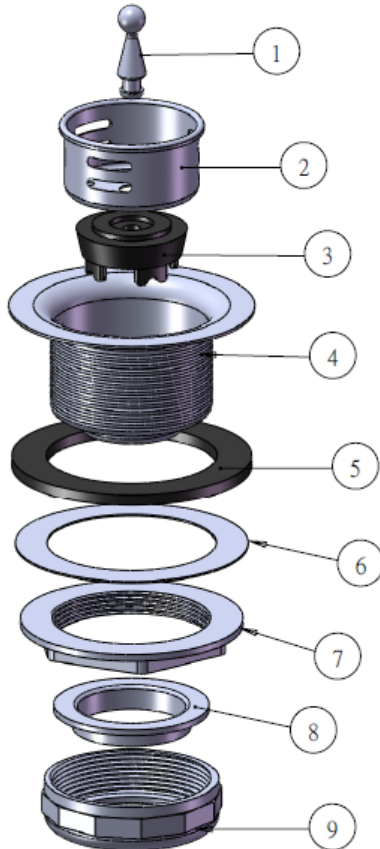
SS-600 & SS-6000 Sink Strainer • Spec Sheet



FEATURES & BENEFITS

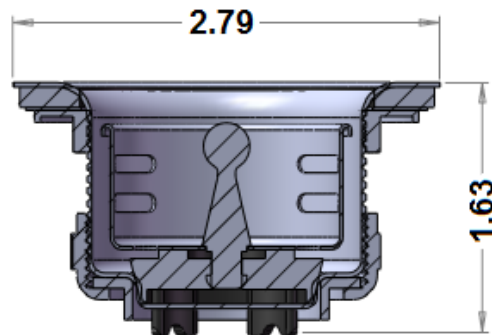
- Stainless Steel Sink Strainer
- Fits 1-7/8" to 2-1/2" Openings
- Junior Dual Basket
- Printed Box

SS-6000 - Same As Above, With Plain Box



MATERIAL SPECIFICATIONS

No.	Part	Material
1	Post	C.P Zinc
2	Basket	SS430#
3	Washer	Rubber
4	Body	SS430#
5	Washer	Rubber
6	Washer	Paper
7	Lock Nut	Zinc
8	Washer	PE
9	Slip	Zinc – Yellow Chromate Dip



MATCO-NORCA
 Global sourcing. National compliance. Local service.

CALIFORNIA 5593 Fresca Dr., La Palma CA 90623 • Toll Free: 866-532-8306 • Fax: 866-532-8307
TEXAS 1150 Silber Rd., Houston TX 77055 • Toll Free: 800-935-5456 • Fax: 713-680-2999
NEW YORK PO Box 27, Rt. 22, Brewster NY 10509 • Toll Free: 800-431-2082 • Fax: 845-278-9056
 WEB: www.matco-norca.com EMAIL: mail@matco-norca.com