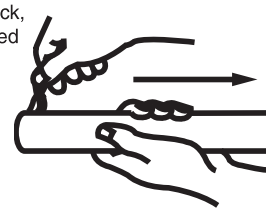


**PRE-SLIT, PRE-COATED SEAMS**
**Installation**

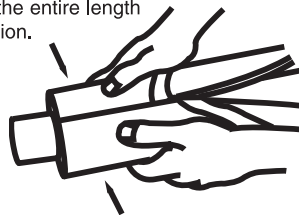
Insulate each continuous run of piping with full lengths of insulation, using a single cut piece to complete run. Add 3-1/2" for every 10' of installed insulation to accommodate expected thermal expansion and contraction.


**2 Position Insulation On Pipe**

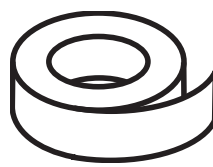
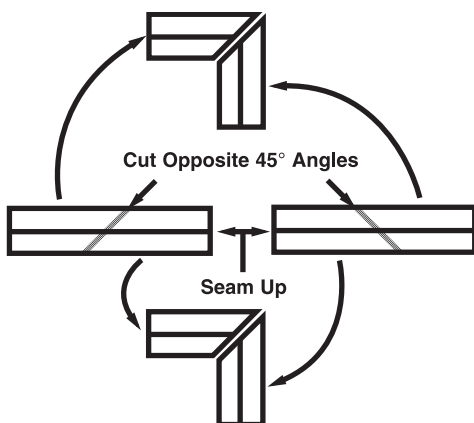
Snap pre-slit insulation on existing pipe or slip over new pipe prior to removal of release liners. Firmly grasp both release liners and pull away and back, exposing pre-glued seams.


**3 Seal Insulation Seam**

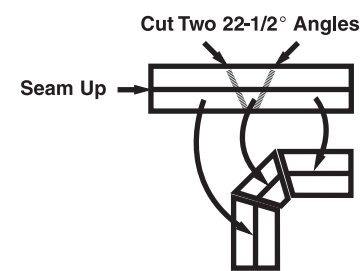
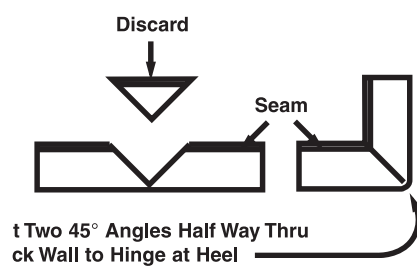
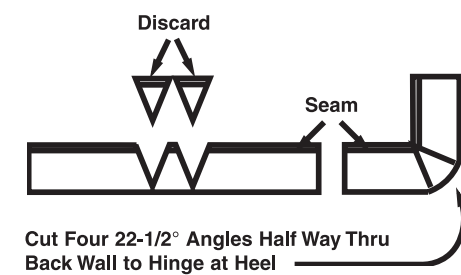
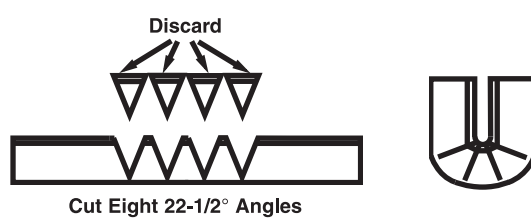
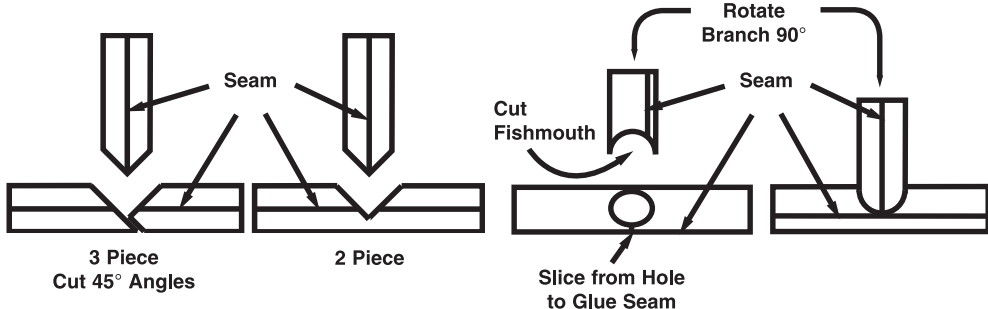
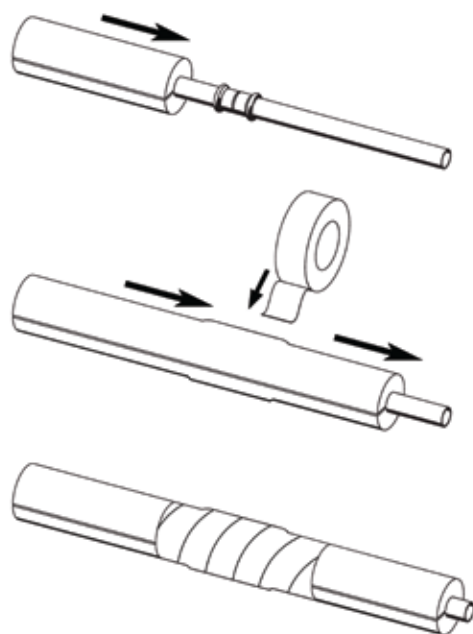
Using firm hand pressure, seal the pre-glued seam along the entire length of the insulation.


**END JOINING OPTIONS**  
 (Apply According to Manufacturer's Recommendations)

**Contact Adhesive**

**Lap Seal Tape**

**SEGMENTED ELBOWS THAT USE PRE-GLUED SEAMS**
**Short Radius: 2 Piece (make two at a time)**

**Long Radius: 3 Piece**

- Flip Center Section 180°
- Join to End Sections


**HINGED ELBOWS THAT USE PRE-GLUED SEAMS**
**Short Radius: 2" Diameter and Smaller**

**Long Radius: 2" Diameter and Smaller**

**U-Bend and P-Trap: 2" Diameter and Smaller**

**TEES THAT USE PRE-GLUED SEAMS**
**Segmented**

**SOLDERLESS FITTINGS**


Wrap Tape 1-1/2" times the length of the compression fitting