

# PIPE STRAPS



**FUNCTION:** Designed to hold pipe or conduit flush with mounting surface for light duty applications.

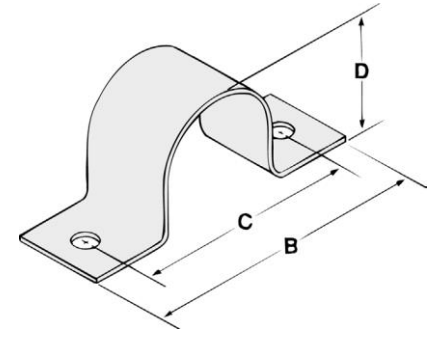
**MATERIAL:** Low carbon steel

**FINISH:** Electro-galvanized

**ORDERING:** Specify pipe size and figure number.

**Fig. 825  
TWO HOLE  
PIPE STRAP**

Pipe Size		B		C		D		Wt. Each	
								lbs.	kg
1/4	(6)	1 <sup>5</sup> / <sub>8</sub>	(41.28)	1 <sup>1</sup> / <sub>8</sub>	(28.58)	5/8	(15.88)	.01	(.01)
3/8	(10)	2 <sup>3</sup> / <sub>8</sub>	(60.33)	1 <sup>5</sup> / <sub>8</sub>	(41.28)	1 <sup>1</sup> / <sub>16</sub>	(17.46)	.03	(.01)
1/2	(15)	2 <sup>5</sup> / <sub>8</sub>	(66.68)	1 <sup>7</sup> / <sub>8</sub>	(47.63)	7/8	(22.23)	.04	(.02)
3/4	(20)	2 <sup>3</sup> / <sub>4</sub>	(69.85)	2 <sup>1</sup> / <sub>8</sub>	(53.98)	1 <sup>1</sup> / <sub>8</sub>	(28.58)	.05	(.02)
1	(25)	3 <sup>3</sup> / <sub>8</sub>	(85.73)	2 <sup>5</sup> / <sub>8</sub>	(66.68)	1 <sup>7</sup> / <sub>16</sub>	(36.51)	.06	(.03)
1 <sup>1</sup> / <sub>4</sub>	(32)	4 <sup>1</sup> / <sub>4</sub>	(107.95)	3 <sup>3</sup> / <sub>16</sub>	(80.96)	1 <sup>13</sup> / <sub>16</sub>	(46.04)	.08	(.04)
1 <sup>1</sup> / <sub>2</sub>	(40)	4 <sup>1</sup> / <sub>2</sub>	(114.30)	3 <sup>1</sup> / <sub>2</sub>	(88.90)	1 <sup>15</sup> / <sub>16</sub>	(49.21)	.10	(.05)
2	(50)	5 <sup>3</sup> / <sub>8</sub>	(136.53)	4 <sup>1</sup> / <sub>8</sub>	(104.78)	2 <sup>9</sup> / <sub>16</sub>	(65.09)	.13	(.06)
2 <sup>1</sup> / <sub>2</sub>	(65)	6	(152.40)	4 <sup>1</sup> / <sub>2</sub>	(114.30)	3 <sup>1</sup> / <sub>16</sub>	(77.79)	.20	(.09)
3	(80)	7 <sup>1</sup> / <sub>4</sub>	(184.15)	5 <sup>3</sup> / <sub>4</sub>	(146.05)	3 <sup>3</sup> / <sub>4</sub>	(95.25)	.50	(.23)
4	(100)	8 <sup>3</sup> / <sub>8</sub>	(212.73)	5 <sup>3</sup> / <sub>4</sub>	(146.05)	4 <sup>11</sup> / <sub>16</sub>	(119.06)	.51	(.23)



*Note: Also available in copper tubing sizes with copper finish.  
To order, specify figure 826 and tube size.*

Unless otherwise specified, all dimensions on drawings and in charts are in inches and dimensions shown in parentheses are in millimeters.