

TUBE SUSPENSION CLAMP & INSULATOR

558-E series

Suspensulator™

Item # Submitted	_____
Job Name	_____
Location	_____
Engineer	_____
Contractor	_____
PO#	_____ TAG _____

SPECIFICATION

Sioux Chief 558-E series tube suspension clamp and insulator shall be used where necessary to insulate CTS piping in residential or commercial applications. Clamp shall be UV resistant and 100% corrosion proof. Clamp shall fit 1³/₈" hole drilled in wood stud or fit a 1¹/₂" hole punched in metal studs. When desired, clamp can be drilled directly to stud or joist or can be secured to any bracketing system with approved hardware. Clamps are compatible with CTS copper, PEX or CPVC tube.

MATERIALS

UV protected high-density polyethylene

INSTALLATION

Run tubing through hole in wood or metal stud. Spread clamp open and position around tube then insert into hole in stud.

As a suspension clamp, mount clamp to studs, joists or brackets using two nails or screws. Install pipe into clamp hole.

SAFE WORKING TEMPERATURE

maximum temperature: 160°F (71°C) continuous

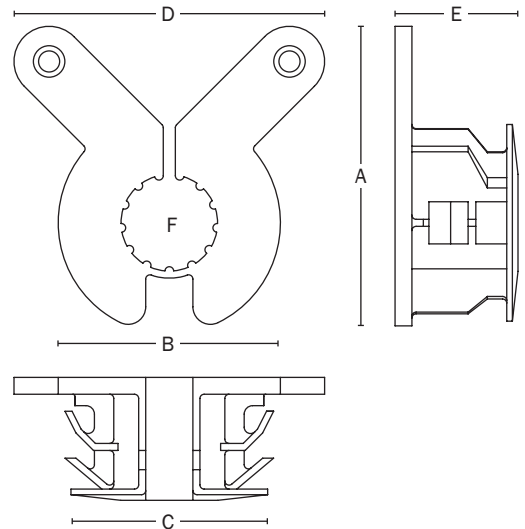
impact resistance: to 0°F (-18°C)



558-E2

DIMENSIONS

	558-E1	558-E2	558-E3	558-E4
A: height	2.12"	2.12"	2.132"	2.063"
B: front width	1.581"	1.581"	1.581"	1.578"
C: back width	1.4"	1.4"	1.4"	1.6"
D: ear width	2.211"	2.211"	2.211"	2.211"
E: depth	0.875"	0.875"	0.875"	0.875"
F: tube size	3/8"	1/2"	3/4"	1"



Create Item Number

558-E A

e.g. 558-E2 = Suspensulator for 1/2" CTS supply tube

A TUBE SIZE

- 1 3/8" CTS
- 2 1/2" CTS
- 3 3/4" CTS
- 4 1" CTS