

NEW

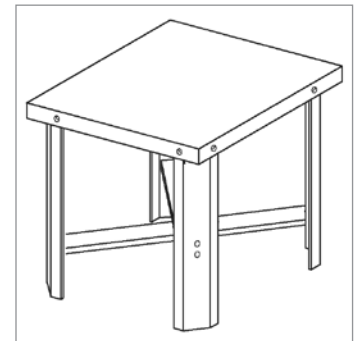
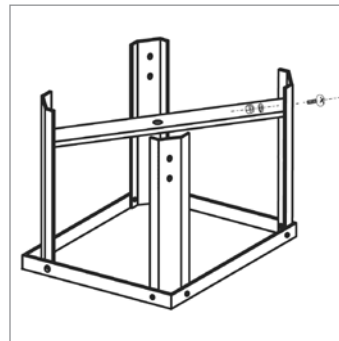
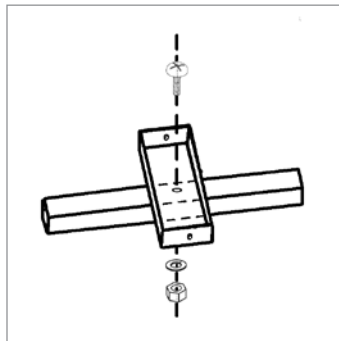
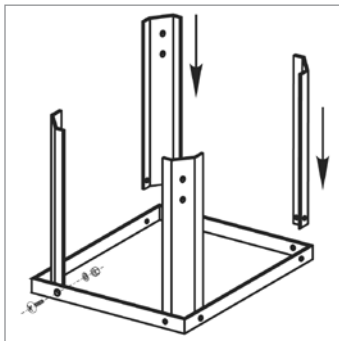
Water Heater Stand

For 30-100 Gallon Units



598-010

- U.S. made from durable galvanized steel.
- Meets National Fuel Gas Code Requirements
- Individually boxed taking up less floor or shelf space in the warehouse.
- Assembles in minutes; all hardware included.



MAX LOAD	
598-010	650 lbs
598-011	
598-012	1,300 lbs

Item No.	Description	Dimensions	Water Heater Capacity	Gauge	Pkg	Min. Qty	Case Qty	List Price
598-010	Standard	21" x 21" x 18"	30-50 gal.	18	B	1	1	52.00 EA
598-011	Fast assemble	21" x 21" x 18"	30-50 gal.	18	B	1	1	58.00 EA
598-012	Heavy duty	24" x 24" x 18"	50-100 gal.	16	B	1	1	100.00 EA

Packaging Codes || B: bulk

DISTRIBUTED BY

24110 South Peculiar Drive
 Peculiar, Missouri 64078
 tel: 1-800-821-3944
 fax: 1-800-758-5950
 www.siouxchief.com

