

# PUSH GASKET CLOSET FLANGE

» 886 SERIES

PushTite™

|                  |                 |
|------------------|-----------------|
| ITEM # SUBMITTED | _____           |
| JOB NAME         | _____           |
| LOCATION         | _____           |
| ENGINEER         | _____           |
| CONTRACTOR       | _____           |
| PO#              | _____ TAG _____ |

## SPECIFICATION

Sioux Chief 886 series PushTite closet flange shall be used where necessary in drainage systems. Flange shall include holes for securing to floor and optional notches or slots for attachment of closet bolts. Inner diameter of flange outlet shall be at least 3" and have smooth inner walls with no obstructions or ledges. Engineered elastomer flange gasket shall provide 3 points of contact to ensure a positive seal inside 4" nominal DWV pipe. Always fasten closet flanges to the floor.

## MATERIALS

**Flange body:** White or black ABS

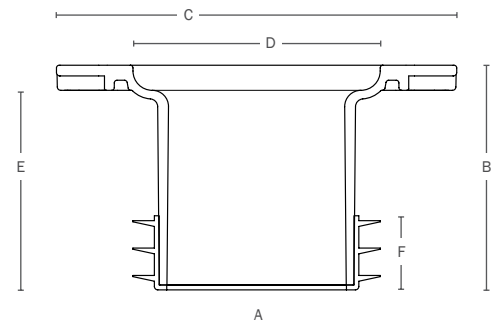
**Gasket:** Chemical-resistant, engineered elastomer

## DIMENSIONS

|                                   |                                 |
|-----------------------------------|---------------------------------|
| <b>A:</b> Gasket seal             | Inside 4" DWV                   |
| <b>B:</b> Overall height          | 3 <sup>7</sup> / <sub>8</sub> " |
| <b>C:</b> Flange diameter         | 7"                              |
| <b>D:</b> Flange opening diameter | 4 <sup>1</sup> / <sub>4</sub> " |
| <b>E:</b> Tailpiece height        | 3 <sup>1</sup> / <sub>2</sub> " |
| <b>F:</b> Gasket height           | 1 <sup>1</sup> / <sub>4</sub> " |



886-GP



Create Item Number

**886-A**

e.g. **886-GP:** Inside 4" Sch. 40 PushTite closet flange - white for PVC

**FLANGE BODY A**

**GA** = Black ABS flange body

**GP** = White ABS flange body