

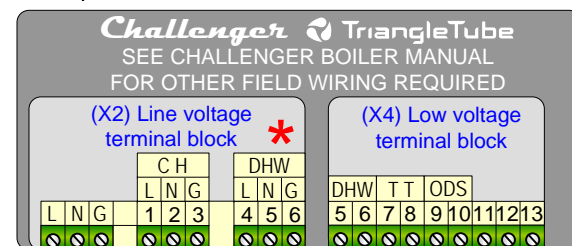
Job Name:	T.B.D.	Contractor:	T.B.D.	Location:	T.B.D.	Designed by:	XXX	Drawn by:	RRM	SCALE:	N.T.S.	Revision:	0
-----------	--------	-------------	--------	-----------	--------	--------------	-----	-----------	-----	--------	--------	-----------	---

This is only a concept drawing, it is not intended to describe a complete system. The sole purpose of this drawing is to present our customers with a system layout that will describe some mechanical and electrical system requirements to suit the application needs. Generally it is used for discussion purposes only. The qualified installer will determine the necessary components for and configuration of the system being installed, including additional equipment, isolation relays (for loads greater than the control's specified output ratings) and any safety devices to ensure compliance with national and/or local building and safety code requirements.

* Internal wiring block information

X2 – 5 = DHW Circulator Line
X2 – 7 = DHW Circulator Neutral

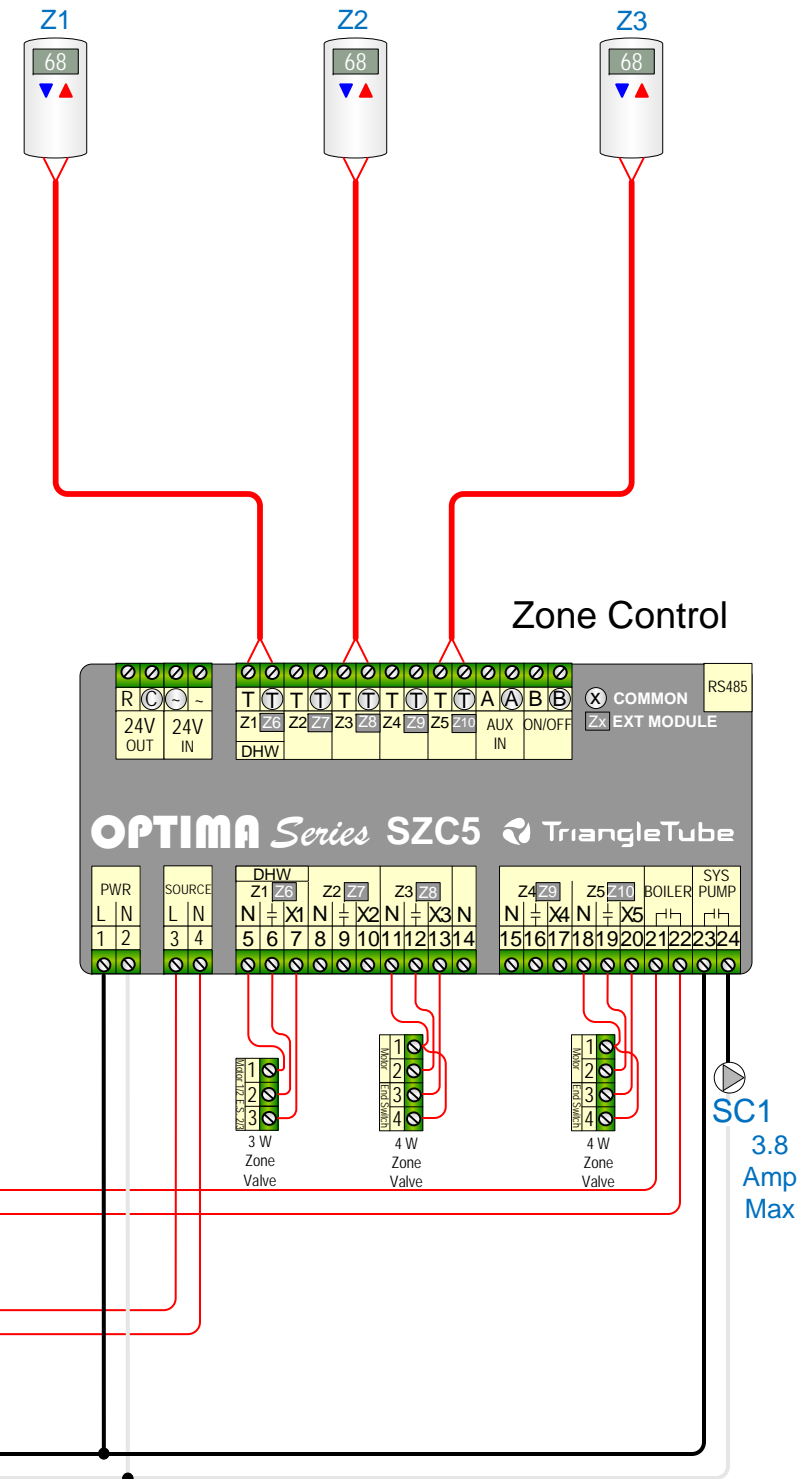
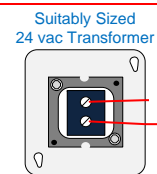
New r4.8 Control Revision



BC1 2.3 Amp Max
DC1 2.3 Amp Max

ODS

DHW1



Dedicated 120 VAC Power Source

Job Name:	T.B.D.	Contractor:	T.B.D.	Location:	T.B.D.	Designed by:	XXX	Drawn by:	RRM	SCALE:	N.T.S.	Revision:	0
-----------	--------	-------------	--------	-----------	--------	--------------	-----	-----------	-----	--------	--------	-----------	---

This is only a concept drawing, it is not intended to describe a complete system. The sole purpose of this drawing is to present our customers with a system layout that will describe some mechanical and electrical system requirements to suit the application needs. Generally it is used for discussion purposes only. The qualified installer will determine the necessary components for and configuration of the system being installed, including additional equipment, isolation relays (for loads greater than the control's specified output ratings) and any safety devices to ensure compliance with national and/or local building and safety code requirements.