

## Viega® PEX Press Stop Valves - Zero Lead™\*

### Description

Viega Zero Lead stop valves are available in straight and angled configurations. The valve bodies are manufactured from Eco Brass® and feature Teflon® seals with EPDM and FKM stem seals.



### Features

- Plated Brass Ball
- PTFE Seals
- Nickel Plated Brass Stem
- EPDM & FKM Stem Seals

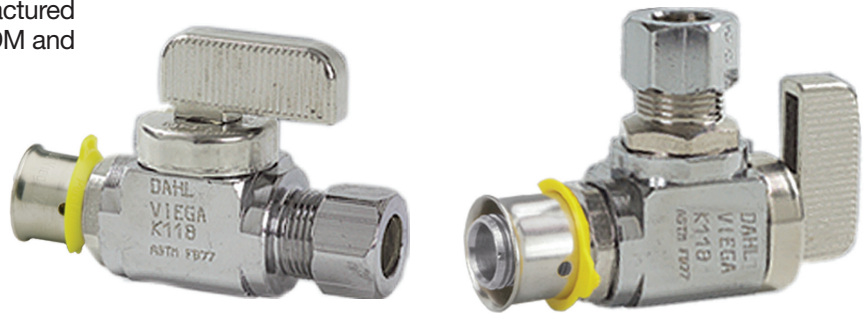
### Ratings

- Temperature Range: 0°F - 180°F
- Max. Operating Pressure: 160 psi

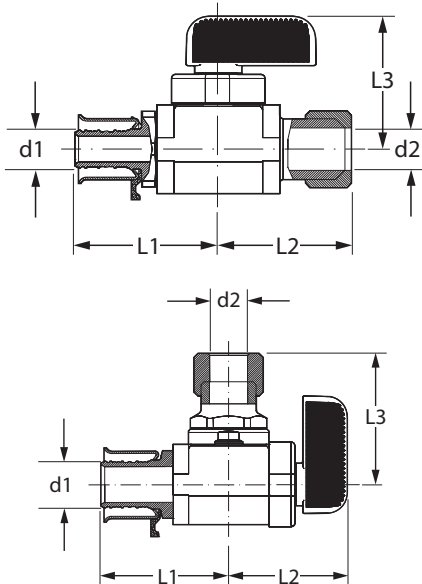
### Approvals

-  - cCSAus
-  - UPC®
- NSF / ANSI 61-G
- NSF / ANSI 372
- ASTM F877

ZERO LEAD™



Component	Material
Body	Chrome Plated Brass
Ball	Plated Brass
Seat	PTFE
Stem	Nickel Plated Brass
Stem Seals	EPDM & FKM
Handle	Nickel Plated Zinc



**Viega PEX Press Stop Valve Straight Zero Lead Chrome Plated Brass P x CTS ¼ Turn - Model 2842.3ZL**

Part No	Size	L1 (in)	L2 (in)	L3 (in)
	d1 x d2			
94023	¾" x ¼" CTS (⅜" OD) Comp	2.53	1.2	1.2
94031	½" x ¼" CTS (⅜" OD) Comp	2.51	1.2	1.2

**Viega PEX Press Stop Valve Angled Zero Lead Chrome Plated Brass P x CTS ¼ Turn - Model 2842.4ZL**

Part No	Size	L1 (in)	L2 (in)	L3 (in)
	d1 x d2			
93515	¾" x ¼" CTS (⅜" OD) Comp	2.51	1.03	1.2
93511	½" x ¼" CTS (⅜" OD) Comp	2.51	1.03	1.2

\*Zero Lead identifies Viega® products meeting the lead free requirements of NSF 61-G through testing under NSF/ANSI 372 (0.25% or less maximum weighted average lead content).

This document subject to updates. For the most current Viega technical literature please visit [www.viega.us](http://www.viega.us).  
Click Services -> Click Electronic Literature Downloads -> Select Product Line -> Select Desired Document

**Viega LLC, 100 N. Broadway, 6<sup>th</sup> Floor • Wichita, KS 67202 • Ph: 800-976-9819 • Fax: 316-425-7618**