

THIS SPACE FOR DESIGNER/ENGINEER APPROVAL

| | | |
|-------------------------|------------|------------------------|
| Job/Customer _____ | Date _____ | Contractor _____ |
| Model Specified _____ | Qty _____ | Approved By _____ |
| Designer/Engineer _____ | Date _____ | Contractor's PO# _____ |
| Submitted by _____ | Date _____ | Other _____ |

5041 Series

Full Port Forged Brass Uni-Flange Ball Valves
w/ Hi-Flow Hose Drain
Bonus Wing Style "T" Handle, Nuts & Bolts
SWT x Flange
600 WOG - ISO 9001



| ITEM # | SIZE | CTN | CASE | A | B | C | D | E | F | G | H | I | J |
|---|--------|-----|------|-------|---------|-------|-------|-----|-----|---------|---------|-------|-----|
| 50413 | 3/4" | 2 | 20 | 3/4 | 4 | 2 1/4 | 4 | 3/4 | 1/2 | 1 | 2 11/16 | 4 1/8 | 1/2 |
| 50414 | 1" | 2 | 20 | 1 | 4 1/2 | 2 5/8 | 4 5/8 | 3/4 | 1/2 | 1 1/4 | 2 11/16 | 4 1/8 | 1/2 |
| 50415 | 1 1/4" | 2 | 20 | 1 1/4 | 4 3/4 | 3 | 4 5/8 | 3/4 | 1/2 | 1 9/16 | 2 11/16 | 4 1/8 | 3/4 |
| 50416 | 1 1/2" | 2 | 10 | 1 1/2 | 5 13/16 | 3 1/4 | 5 1/2 | 3/4 | 1/2 | 1 15/16 | 2 11/16 | 4 1/8 | 3/4 |
| HV MODELS FIT BOTH STANDARD & HIGH VELOCITY PUMPS | | | | | | | | | | | | | |
| 50414HV | 1" | 2 | 20 | 1 | 4 1/2 | 2 5/8 | 4 5/8 | 3/4 | 5/8 | 1 1/4 | 2 11/16 | 4 1/8 | 1/2 |
| 50415HV | 1 1/4" | 2 | 20 | 1 1/4 | 4 3/4 | 3 | 4 5/8 | 3/4 | 5/8 | 1 9/16 | 2 11/16 | 4 1/8 | 3/4 |
| 50416HV | 1 1/2" | 2 | 10 | 1 1/2 | 5 13/16 | 3 1/4 | 5 1/2 | 3/4 | 5/8 | 1 15/16 | 2 11/16 | 4 1/8 | 3/4 |
| 50417HV | 2" | 1 | 10 | 2 | 7 1/4 | 3 1/4 | 5 1/2 | 3/4 | 5/8 | 1 15/16 | 2 11/16 | 4 1/8 | 3/4 |



| NO. | DESCRIPTION | MATERIAL |
|-----|-----------------------|------------------------|
| 1 | BODY | BRASS |
| 2 | END CAP | BRASS |
| 3 | SEATS | PTFE |
| 4 | BALL | BRASS HCP |
| 5 | STEM | BRASS |
| 6 | STEM SEAL | PTFE |
| 7 | PACKING GLAND | BRASS |
| 8 | LEVER HANDLE | STEEL CP |
| 9 | HANDLE NUT | STAINLESS STEEL |
| 10 | HANDLE JACKET | VINYL |
| 11 | SEAT RETAINER | BRASS |
| 12 | DRAIN END CAP | BRASS |
| 13 | DRAIN SEATS | PTFE |
| 14 | DRAIN BALL | BRASS HCP |
| 15 | DRAIN STEM | BRASS |
| 16 | DRAIN STEM SEAL | PTFE |
| 17 | DRAIN PACKING GLAND | BRASS |
| 18 | DRAIN HANDLE | ENAMEL COATED ALUMINUM |
| 19 | DRAIN HANDLE SCREW | BRASS |
| 20 | WASHER | EPDM |
| 21 | CAP AND STRAP | BRASS W/ EPDM STRAP |
| 22 | FLANGE BOLTS AND NUTS | STEEL ZP |
| 23 | WING STYLE "T" HANDLE | STEEL CP |

| TEMP °F | PSI |
|---------|-----|
| 100 | 600 |
| 150 | 485 |
| 200 | 395 |
| 250 | 210 |
| 300 | N/A |
| 350 | N/A |
| 366 | N/A |



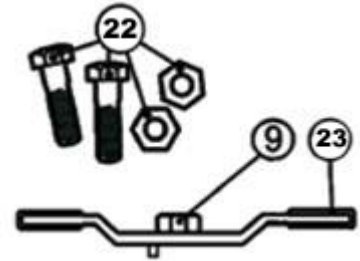
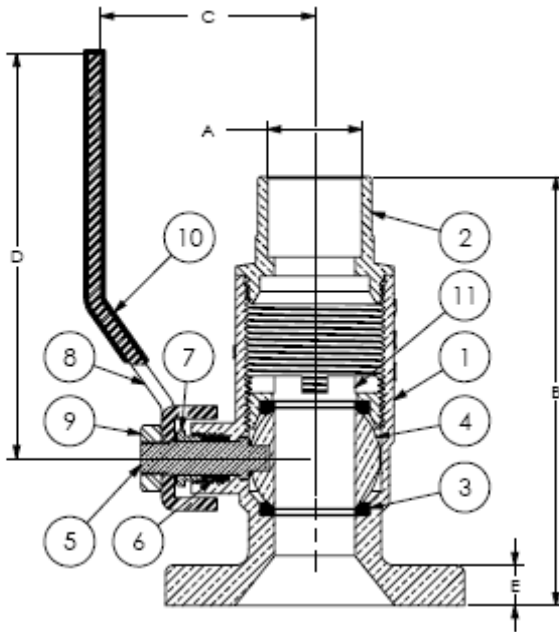
Quality and Commitment Since 1954

www.webstonevalves.com · P: (800) 225-9529 · F: (800) 336-5133

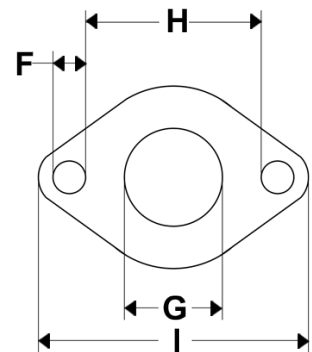
Webstone product specifications in U.S. customary units are approximate and are provided for reference only. Webstone reserves the right to change or modify product design, construction, specifications or materials without prior notice and without incurring any obligation to make such changes and modifications on Webstone products previously or subsequently sold.

THIS SPACE FOR DESIGNER/ENGINEER APPROVAL

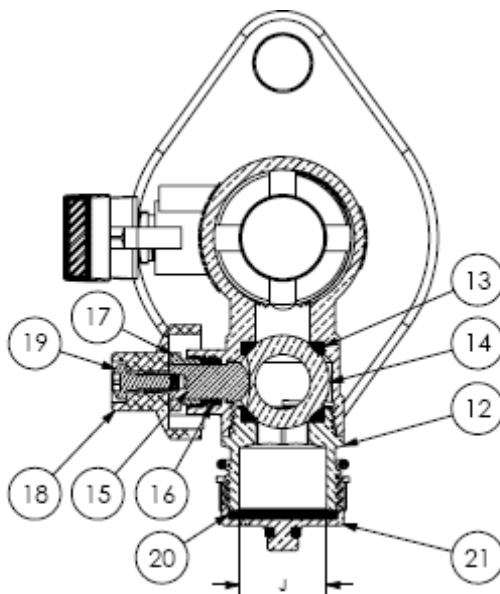
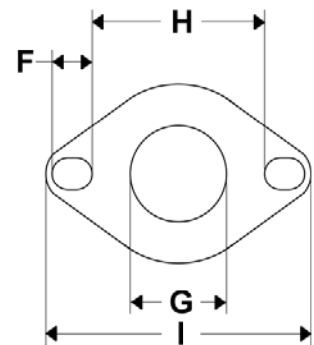
| | | |
|-------------------------|------------|------------------------|
| Job/Customer _____ | Date _____ | Contractor _____ |
| Model Specified _____ | Qty _____ | Approved By _____ |
| Designer/Engineer _____ | Date _____ | Contractor's PO# _____ |
| Submitted by _____ | Date _____ | Other _____ |



FLANGE FOR REGULAR MODELS



FLANGE FOR HIGH VELOCITY PUMP MODELS



Specifications: Designed for residential, commercial or industrial use with water or a glycol mixture. This approved Webstone valve is actuated by a blowout proof stem and features an adjustable packing gland. Flange features a conical inlet to minimize turbulence. Solder joint temperature ratings are per ASME B16.18 Annex A for 95-5 solder. Other solder materials have lower pressure/temperature limits. Do not silver braze or over heat valves when soldering.



Quality and Commitment Since 1954

www.webstonevalves.com · P: (800) 225-9529 · F: (800) 336-5133

Webstone product specifications in U.S. customary units are approximate and are provided for reference only. Webstone reserves the right to change or modify product design, construction, specifications or materials without prior notice and without incurring any obligation to make such changes and modifications on Webstone products previously or subsequently sold.