

THIS SPACE FOR DESIGNER/ENGINEER APPROVAL

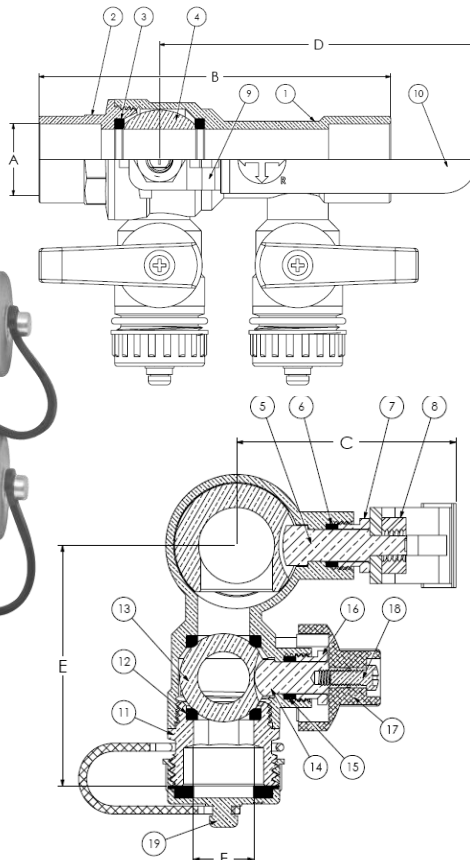
Job/Customer _____	Date _____	Contractor _____
Model Specified _____	Qty _____	Approved By _____
Designer/Engineer _____	Date _____	Contractor's PO# _____
Submitted by _____	Date _____	Other _____

5861 Series
Full Port Forged Brass Ball Valves
w/ (2) Hi-Flow Hose Drains
CxC
600 WOG
ISO 9001



ITEM#	SIZE	CTN	CASE	A	B	C	D	E	F
58613	3/4"	1	12	3/4	4 5/16	2 1/8	3 7/8	2 3/8	1/2
58614	1"	1	12	1	4 3/4	2 9/16	4 5/8	2 5/8	1/2
58615	1 1/4"	1	12	1 1/4	5 1/2	2 7/8	4 5/8	3	3/4
58616	1 1/2"	1	12	1 1/2	6	3 7/16	5 9/16	3 1/2	3/4

PATENTS PENDING



NO.	DESCRIPTION	MATERIAL
1	BODY	BRASS
2	END CAP	BRASS
3	SEAT	PTFE
4	BALL	BRASS HCP
5	STEM	BRASS
6	STEM SEAL	PTFE
7	PACKING GLAND	BRASS
8	HANDLE NUT	STAINLESS STEEL
9	HANDLE	STEEL CP
10	HANDLE JACKET	VINYL
11	DRAIN END CAP	BRASS
12	DRAIN SEAT	PTFE
13	DRAIN BALL	BRASS HCP
14	DRAIN STEM	BRASS
15	DRAIN STEM SEAL	PTFE
16	DRAIN PACKING	BRASS
17	DRAIN VALVE HANDLE	ENAMEL COATED ALUMINUM
18	DRAIN VALVE HANDLE SCREW	BRASS
19	CAP & STRAP	BRASS W/ PVC HOSE WASHER & STRAP

TEMP °F	PSI
100	600
150	485
200	395
250	210
300	N/A
350	N/A
366	N/A

Specifications: Suitable for residential, commercial or industrial use with water or oil, this valve was specifically designed for filling and draining glycol/antifreeze from any point in a hydronic system. This approved Webstone valve is actuated by a blowout proof stem and features an adjustable packing gland. Solder joint temperature ratings are per ASME B16.18 Annex A for 95-5 solder. Other solder materials have lower pressure/temperature limits. Do not silver braze or overheat valves when soldering.



Quality and Commitment Since 1954

www.webstonevalves.com · P: (800) 225-9529 · F: (800) 336-5133

Webstone product specifications in U.S. customary units are approximate and are provided for reference only. Webstone reserves the right to change or modify product design, construction, specifications or materials without prior notice and without incurring any obligation to make such changes and modifications on Webstone products previously or subsequently sold.

5861Spec_013013