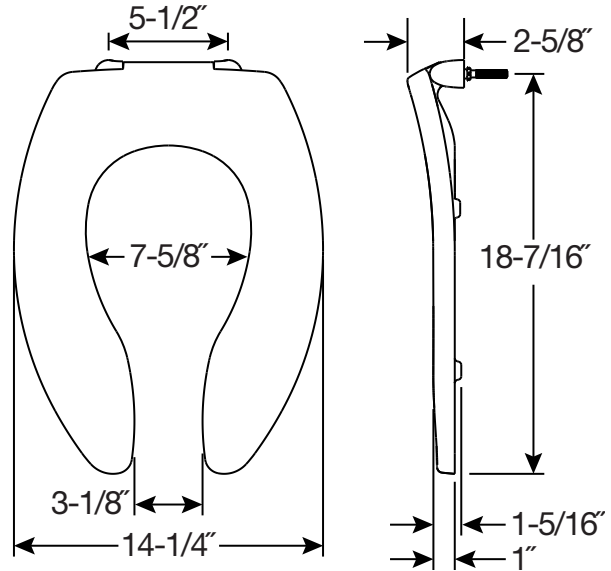


# 1655CT / 1655SSCT

COMMERCIAL EXTRA HEAVY-DUTY  
PLASTIC TOILET SEAT



## FEATURES:

- **STA-TITE® Commercial Fastening System™**  
Eliminates callbacks for loosened seats

## SPECIFICATIONS:

**Size:** Elongated

**Material:** Plastic

**Style:** Open Front less Cover

**Ring Bumpers:** Four

**Hinges:** Plastic Non Self-Sustaining Check Hinges (1655CT) or Self-Sustaining Check Hinges (1655SSCT) with Non-Corroding 300 Series Stainless Steel Posts and Pintles

**Hardware:** STA-TITE® Commercial Fastening System™

**Codes & Standards:**



Complies with  
IAPMO/ANSI Z124.5  
Performance Standards  
Heavy-Duty Commercial



Proudly Made in the USA

Eco-Friendly

