

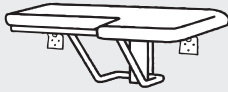
Model:

**390**  
SERIES

## CareGiver® Fold-Down Padded Seats



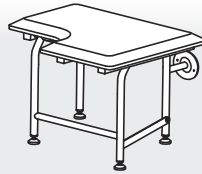
**READ ALL INSTRUCTIONS CAREFULLY AND INSPECT PRODUCT FOR DAMAGE BEFORE STARTING YOUR INSTALLATION.**



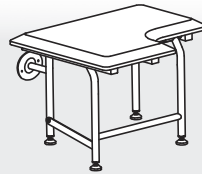
Left-hand seat — wall mount  
390.404 style



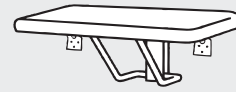
Right-hand seat — wall mount  
390.403 style



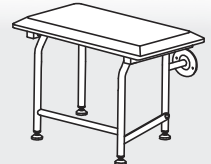
Left-hand seat — with legs  
390.405 or 390.406 style



Right-hand seat — with legs  
390.407 or 390.408 style



Rectangular seat — wall mount  
390.410 style



Rectangular seat — with legs  
390.411 or 390.412 style

### INCLUDED IN CARTON:

- One (1) seat assembly with two wall brackets (attached)
- One (1) middle support "slide" bracket (not required on seats with legs)

### TOOLS AND MATERIALS FOR INSTALLATION:

- Drill — electric or cordless
- 3/16" and 1/4" drill bits
- 24" level
- Screwdriver
- Tape measure, pencil
- Silicone caulk

#### Eight (8) 1/4" x 3" stainless steel lag screws

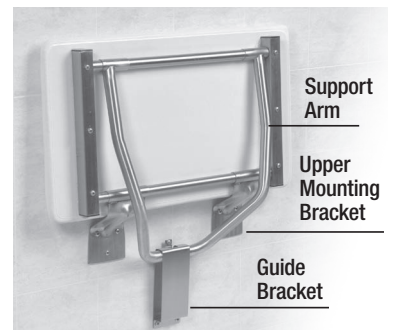
Mounting hardware not supplied due to variations in wall backing. Use appropriate fasteners as recommended by a qualified contractor. Fasteners listed are only suggestions and should be chosen to best fit the needs of your specific application.

### Model 390.409 Rectangular Seat (Shown in down/useable position)



### IMPORTANT SAFETY CAUTIONS:

- Due to variances in local building codes and requirements, the installation instructions provided here are only suggestions. IT IS STRONGLY ADVISED that you contact a qualified contractor for application specific advice.
- CareGiver® Fold-Down Shower Seats are only as strong as the strength and rigidity of the material to which they are mounted.
- The seat is intended for sitting purposes only. ONE person at a time. DO NOT attempt to stand, kneel or use the seat for any other purpose other than sitting.
- The seat is designed to withstand 400 lbs. — when properly installed. Improper installation may cause bodily harm.
- IMMEDIATELY DISCONTINUE use of the seat if visual signs of fatigue or wear become evident. Regular inspections should be made to confirm that the seat is not pulling away from the wall. If the wall brackets start to pull away from the wall IMMEDIATELY discontinue use and call a qualified contractor.



Up/storage position

In installing from new construction, a steel backer plate with the seat bolted to the plate (through the shower wall) using fender washers is the preferred mounting method.

### PREPARATION:

Check local code for proper placement of Fold-Down Padded Seats to meet requirement such as ADA or ANSI 117.1 Consumer Safety Requirements.

Before installing the Fold-Down Padded Seat you will have to prepare the area.

**ROUGH-IN INSTALLATION:** Determine where the Fold-Down Padded Seat will be mounted and install bracing to the rough-in framing to support the seat through the shower wall. Provide

no smaller than a 2" x 6" blocking in the wall for mounting. Measure from the sub-floor up 13 1/4". Center the 2" x 6" horizontally over three wall studs and with the center of the 2" x 6" at the 13 1/4" mark.

Notch wall studs to accommodate the header and attached with no less than Six (6) — 5/16" x 3" stainless steel lag screws. (as shown in Fig. 1a)

Before finishing the wall, and using the

dimensions of your seat, ensure that the two upper mounting brackets and the top two screws of the guide bracket will line up with the 2" x 6" blocking, while the third bottom screw of the guide bracket will line up with the middle and wall stud. (as shown in Fig. 1b)

If you are installing a seat with legs, no center support is required.

Finish the stud wall with tile, Mustee fiberglass shower wall kit or other.

## PREPARATION: (continued)

**EXISTING WALL INSTALLATION:** Locate stud behind the existing shower wall to determine where the Fold-Down Padded Seat can be safely mounted. Both the

upper mounting bracket and guide bracket must be in contact with studwall. Clean that portion of the shower wall where the Fold-Down Seat will be installed.

## INSTALLATION

**NOTE:** When installing a leg-supported seat, the guide bracket is not required. The two upper mounting brackets are centered on the 2" x 6" blocking with the four legs sitting firmly on the floor. All four legs have adjustable feet with lock nuts. Adjust the front two feet to achieve an approximate 2°–3° rise at the front. Once adjusted, tighten the lock nut to prevent future slipping.

### STEP 1:

Locate the desired seat position making sure that the top of the seat is between 17"–19" from the finished floor. When measuring, the seat must be in the down, usable position. With a 24" level check from side-to-side and front-to-back to ensure that the seat is level. A slight 2°–3° rise on the seat from the back wall to the front of the seat is recommended.

### STEP 2:

Use a pencil and mark the three screw holes from both upper mounting brackets. Then mark the three holes from the guide bracket. Be careful of its position, the bottom screw of the guide bracket needs to be centered on the middle wall stud with the two top screws fastened to the 2" x 6". (as shown in Fig. 2)

### STEP 3:

Remove the seat. In each of your marked locations, drill 1/4" clearance holes through the tile only. Then drill 3/16" pilot holes through the header board and attach the seat using 1/4" x 3" stainless steel lag screws and fender washers. Use a generous amount of silicone caulk to prevent water seepage into the mounting holes.

### STEP 4:

Make sure the seat raises and lowers smoothly. If installed correctly, the seat will remain in the "up" position by itself and will take little effort to lower it.

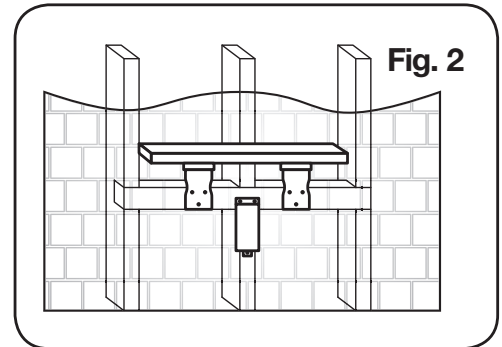
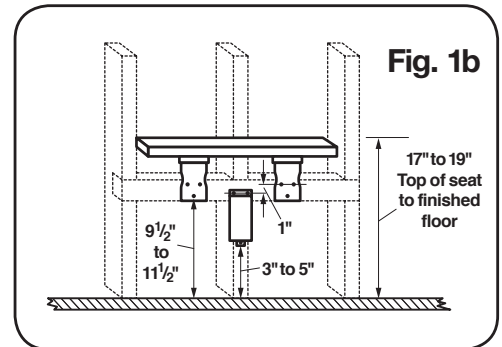
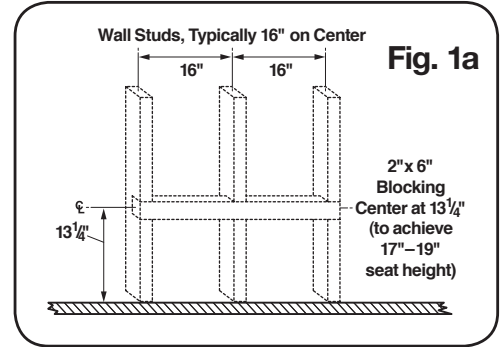
## CARE & CLEANING

To clean, wipe seat down with mild soap and water.

## INSTALLATION QUESTIONS

Questions on the installation or missing parts, call 216-267-3100 or e-mail [customerservice@mustee.com](mailto:customerservice@mustee.com) for assistance. Hours of operation are Monday to Friday, 8:30 a.m. to 4:30 p.m. E.S.T.

Please have the installation manual available when calling. **DO NOT RETURN PRODUCT TO THE PLACE OF PURCHASE.**



## Fold-Down Seat Mounting Location for Mustee DURABASE® Shower Floor

