

DURAGUARD™ WALL GUARDS

FOR USE WITH MUSTEE MOP SERVICE BASINS

INSTALLATION NOTE: If installing into concrete block or if holes do not fall on support member (i.e. wall stud), the use of wall anchors (not provided) is recommended.

CORNER INSTALLATION

1. Hold panels in place and mark hole locations on wall. Drill 3/32" pilot holes for #10-1" (PN-67.801) screws.
2. Run a bead of silicone sealant (not included) on each wall near the corner and set corner bracket in place. Apply a second bead of sealant to the front of the corner bracket to help prevent leaks. Using the twelve (12) screws provided, secure the panels to the wall. See **FIGURE 1(a & b)**.
3. Apply a bead of silicone sealant around panels to prevent leaks.

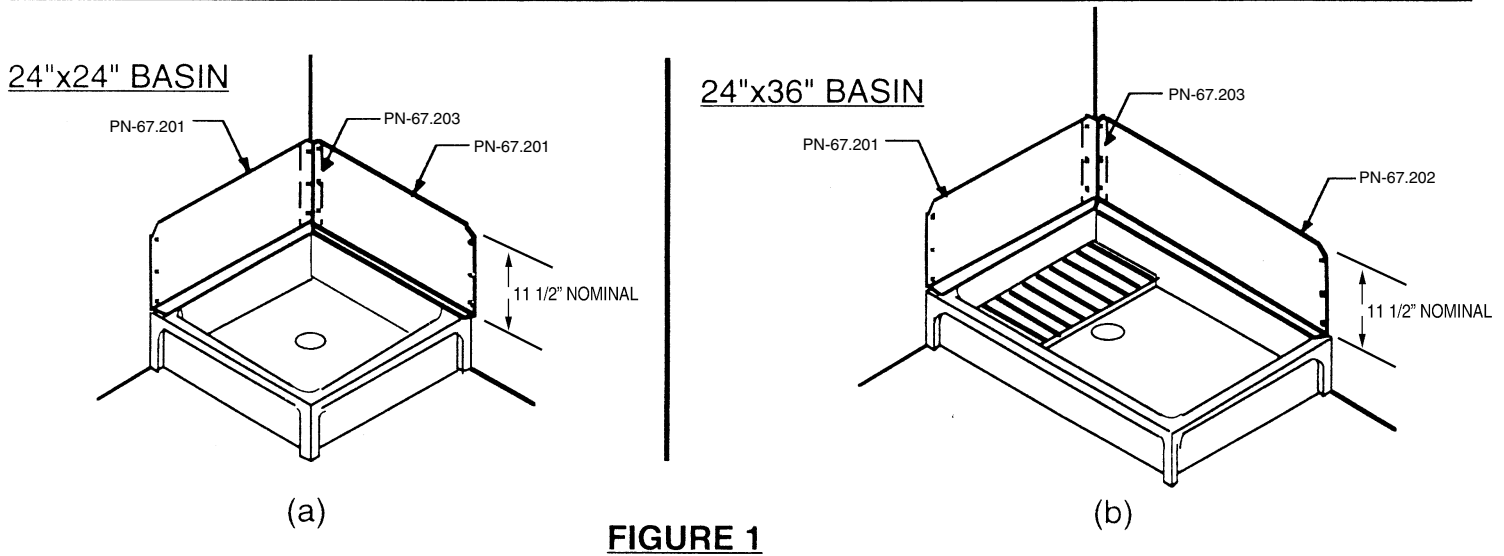


FIGURE 1

NON-CORNER INSTALLATION

1. Hold panel in place and mark hole locations on wall. Drill 3/32" pilot holes for #10-1" (PN-67.801) screws.
2. Using six (6) of the screws provided, secure the panel to the wall. See **FIGURE 2(a, b & c)**.
3. Apply a bead of silicone sealant around panels to prevent leaks.

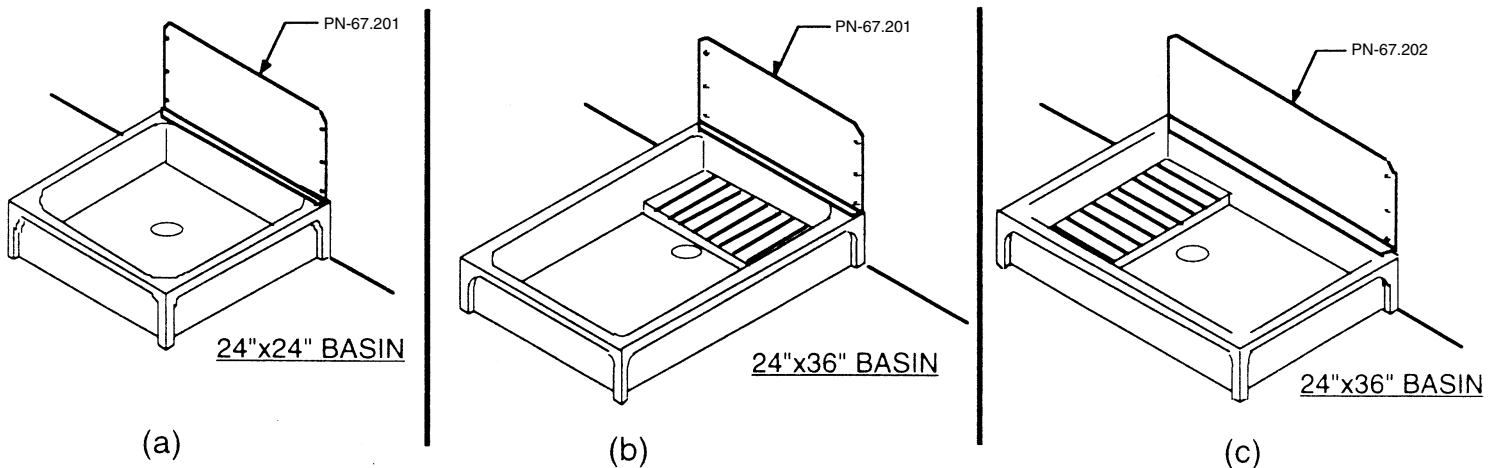


FIGURE 2

E.L. MUSTEE & SONS, INC.

5431 West 164th Street • Brook Park, Ohio 44142

SI-181 (02•14)

"CLOSET" INSTALLATION

NOTE: A THREE PANEL "CLOSET" INSTALLATION REQUIRES THE USE OF TWO (2) DURAGUARD™ UNITS. REFER TO THE CHART AND FIGURES BELOW TO DETERMINE WHICH UNITS ARE NEEDED!

MOP BASIN SIZE	REFERENCE FIGURE	REQUIRED UNITS
24" x 24"	FIGURE 3(a)	1- PN 67.2424 & 1- PN 67.24C
24" x 36"	FIGURE 3(b) FIGURE 3(c)	1- PN 67.2436 & 1- PN 67.36C -or- 1- PN 67.2436 & 1- PN 67.24C

1. Hold panels in place and mark hole locations on wall. Drill 3/32" pilot holes for #10-1"(PN-67.801) screws.
2. Run a bead of silicone sealant on each wall near the corners and set corner brackets in place. Apply a second bead of sealant to the front of each corner bracket to help prevent leaks. Using eighteen (18) of the screws provided, secure the panels to the wall. See **FIGURE 3(a,b &c)**.
3. Apply a bead of silicone sealant around panels to prevent leaks.

