

# Submittal Data

PROJECT:	UNIT TAG:	QUANTITY:
REPRESENTATIVE: _____	TYPE OF SERVICE:	DATE: _____
ENGINEER:	SUBMITTED BY:	DATE:
CONTRACTOR:	APPROVED BY:	DATE:
	ORDER NO.:	DATE:

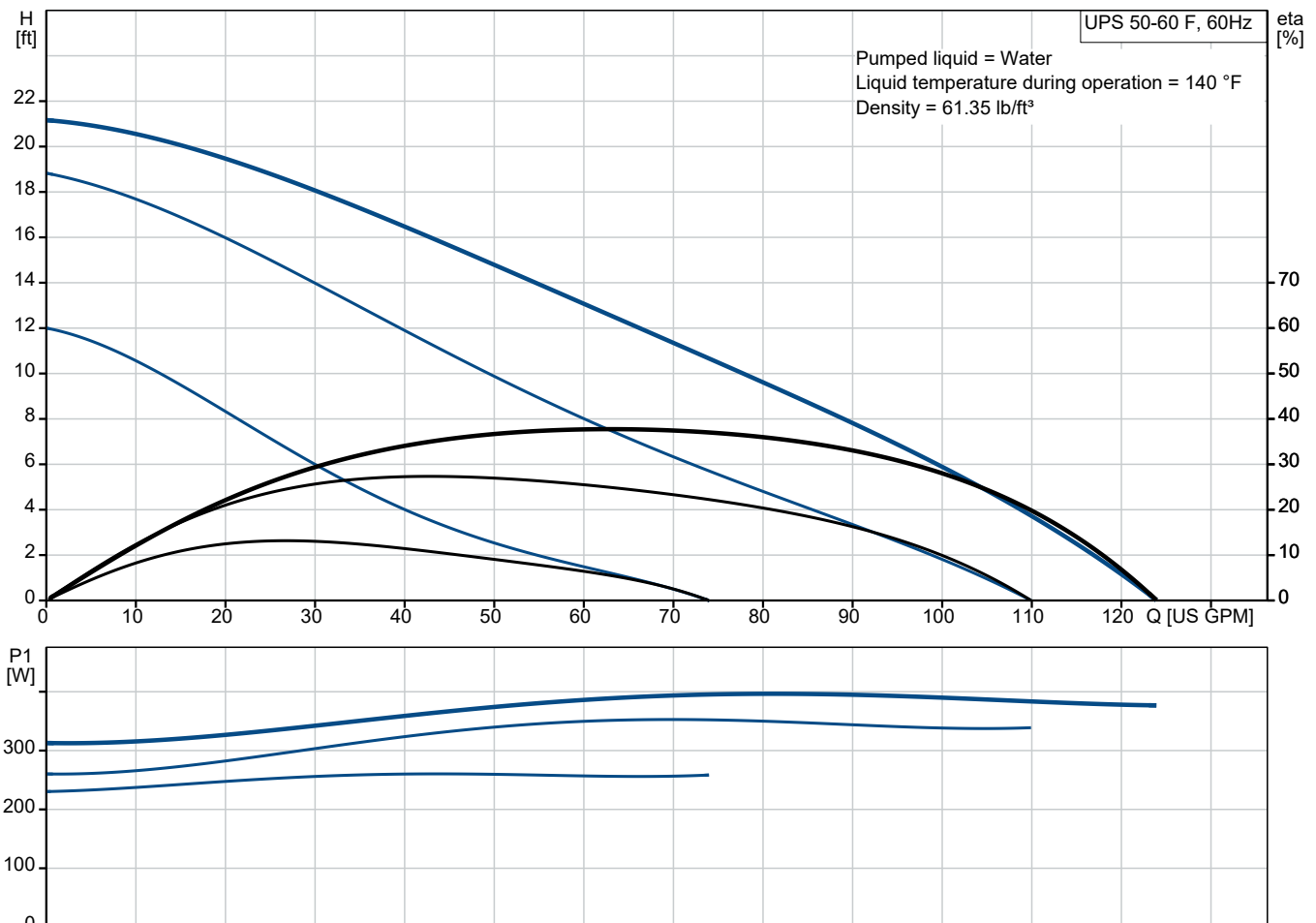
## UPS 50-60 F



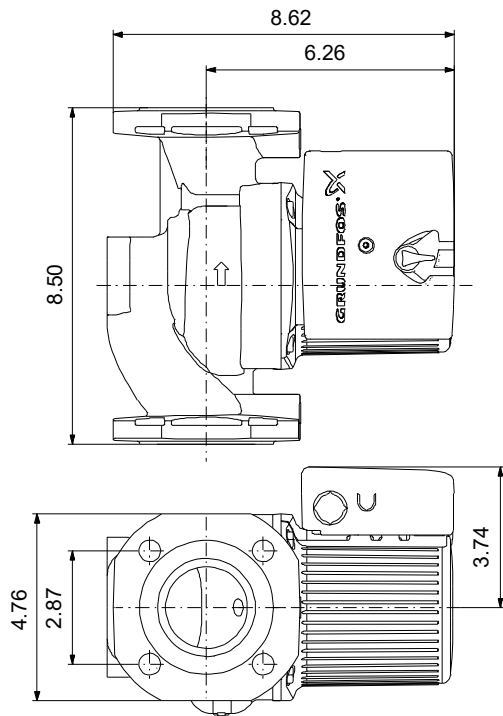
UPS is a three-speed circulator pump designed for heating and air-conditioning systems and is also used for central and district heating systems. The pump provides reliable and maintenance-free operation.

Note! Product picture may differ from actual product

Conditions of Service		Pump Data		Motor Data	
Liquid:	Water	Liquid temperature range:	35.6 .. 230 °F	Max. power input:	395 W
Temperature:	140 °F	Maximum ambient temperature:	104 °F	Mains frequency:	60 Hz
Specific Gravity:	0.985	Type of connection:	C.I. Flange	Thermal protection:	Internal
		Pipe connection:	4 - Bolt Flange		
		Product number:	97523134		



# Submittal Data



**Materials:**

- Pump housing: Cast iron
- Pump housing: ASTM A48-30B
- Impeller: Composite

**Qty. Description**

1 UPS 50-60 F



Note! Product picture may differ from actual product

Product No.: [97523134](#)

The pump is of the canned rotor type, i.e. pump and motor form an integral unit without shaft seal and with only two gaskets for sealing.

The bearings are lubricated by the pumped liquid.

The pump has 3-step speed selector.

The pump is characterized by:

- \* Stainless steel shaft.
- \* Ceramic radial bearing system.
- \* Carbon axial bearing.
- \* Stainless steel rotor can and bearing plate.
- \* Corrosion-resistant impeller, Composite.
- \* Cast iron pump housing.

The motor is a 1-phase motor.

No additional motor protection is required.

**Liquid:**

Pumped liquid: Water  
 Liquid temperature range: 35.6 .. 230 °F  
 Selected liquid temperature: 140 °F  
 Density: 61.35 lb/ft<sup>3</sup>

**Technical:**

Rated flow: 62 US GPM  
 Rated head: 12.74 ft  
 Approvals: ETL, CSA

**Materials:**

Pump housing: Cast iron  
 EN 1561 EN-GJL-200  
 ASTM A48-30B  
 Impeller: Composite  
 PES+30% GF

**Installation:**

Maximum ambient temperature: 104 °F  
 Amb. max at 80 dgr C liquid: 176 °F  
 Maximum operating pressure: 145.04 psi  
 Type of connection: 4-BOLT FLANGE  
 C.I. Flange  
 Pipe connection: 4 - Bolt Flange  
 Pressure rating for connection: PN 10  
 Port-to-port length: 8 9/16 in

**Electrical data:**



Company name:

Created by:

Phone:

Date:

19/07/2024

**Qty. Description**

1	Power input in speed 1:	0.3487 HP
	Power input in speed 2:	350 W
	Max. power input:	395 W
	Mains frequency:	60 Hz
	Rated voltage:	1 x 115 V
	Current in speed 1:	2.7 A
	Current in speed 2:	3.4 A
	Current in speed 3:	3.6 A
	Capacitor size - run:	40 µF/180 V
	Number of poles:	2
	Insulation class (IEC 85):	H
	Built-in motor protection:	CONTACT
	Others:	
	Terminal box position:	9H
	Net weight:	14.4 lb
	Gross weight:	17.3 lb
	Country of origin:	US
	Custom tariff no.:	8413.70.2005



Company name:

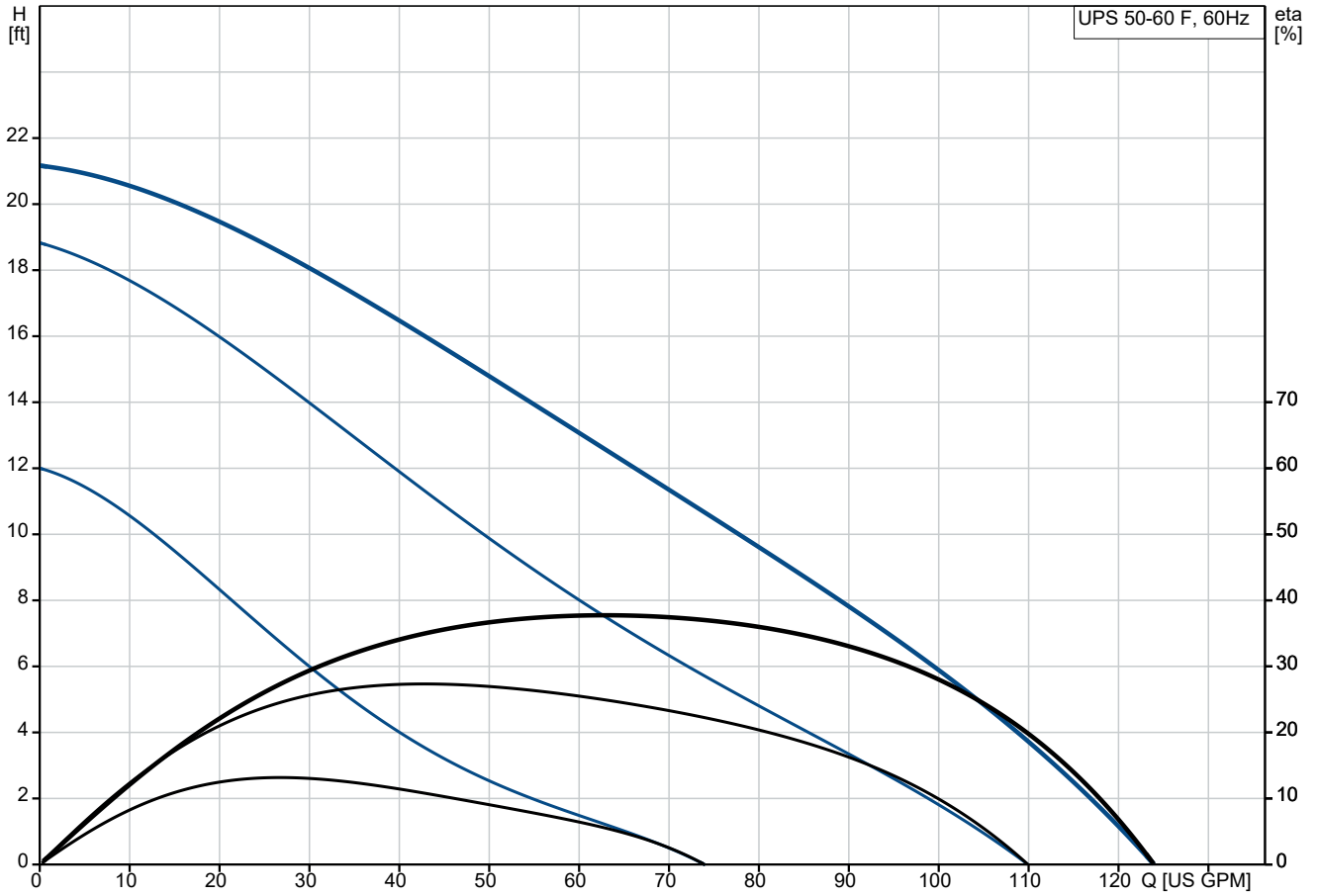
Created by:

Phone:

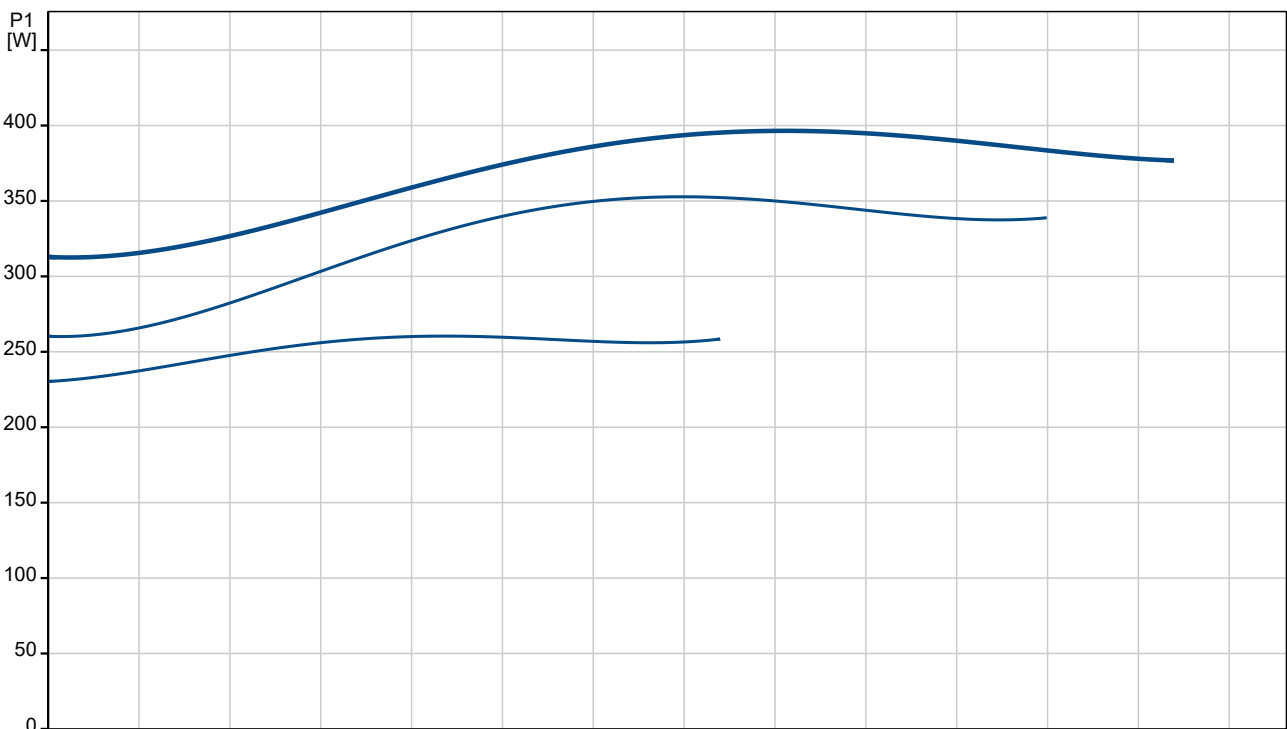
Date:

19/07/2024

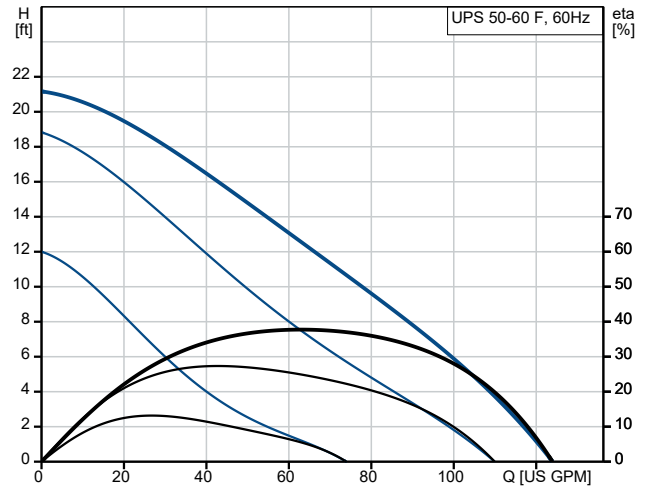
### 97523134 UPS 50-60 F 60 Hz



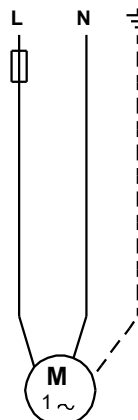
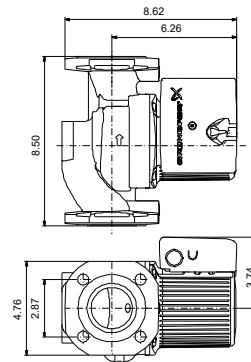
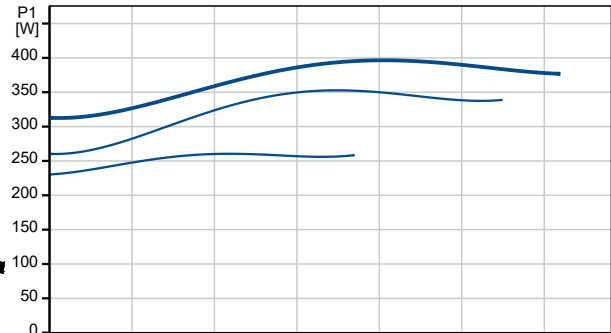
Pumped liquid = Water  
Liquid temperature during operation = 140 °F  
Density = 61.35 lb/ft<sup>3</sup>



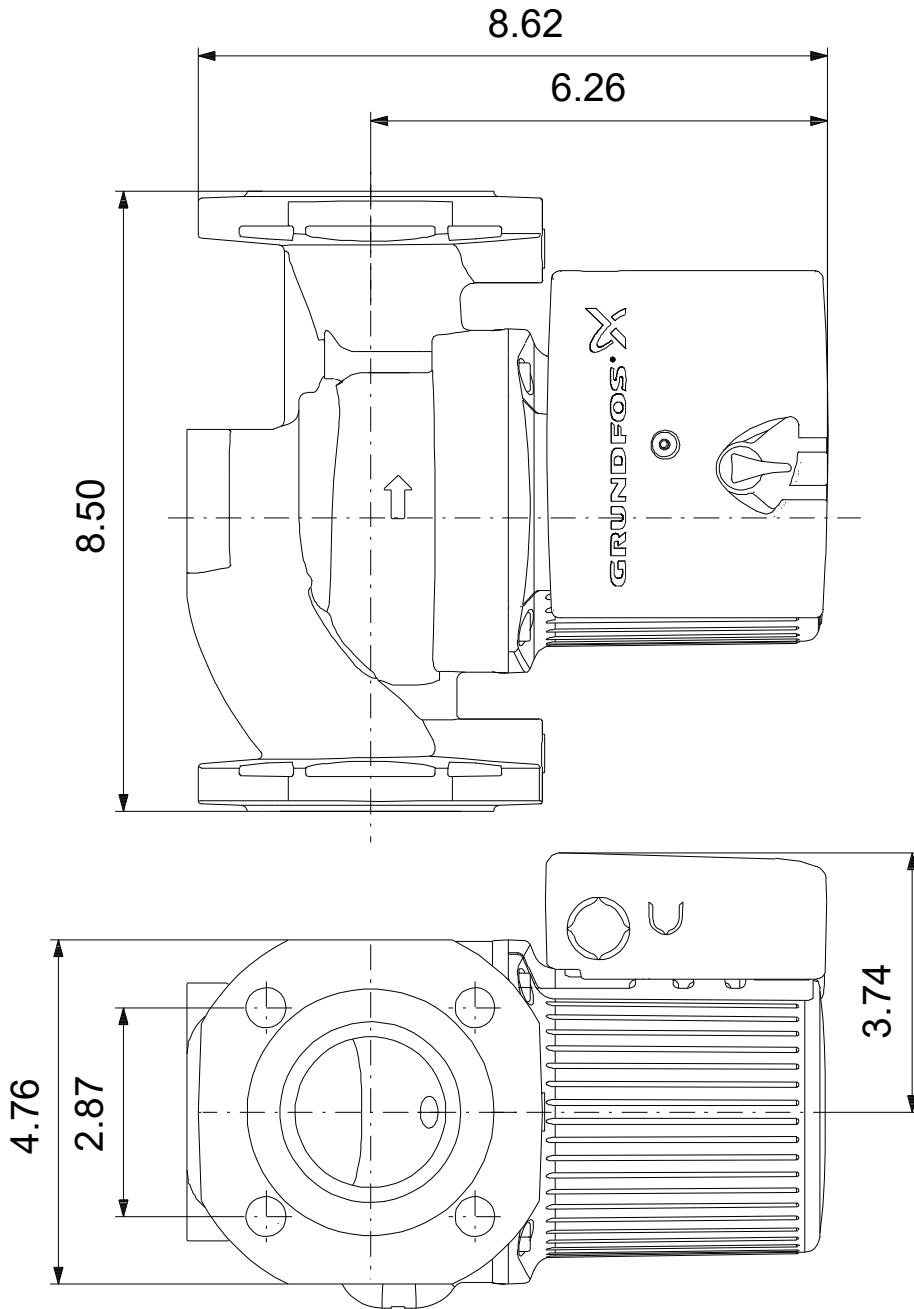
Description	Value
<b>General information:</b>	
Product name:	UPS 50-60 F
Product No:	97523134
EAN number:	5700317647497
Price:	
<b>Technical:</b>	
Speed no:	3
Rated flow:	62 US GPM
Max flow:	124 US GPM
Rated head:	12.74 ft
Maximum head:	21.33 ft
Approvals:	ETL, CSA
<b>Materials:</b>	
Pump housing:	Cast iron
Pump housing:	EN 1561 EN-GJL-200
Pump housing:	ASTM A48-30B
Impeller:	Composite
Impeller:	PES+30% GF
<b>Installation:</b>	
Maximum ambient temperature:	104 °F
Amb. max at 80 dgr C liquid:	176 °F
Maximum operating pressure:	145.04 psi
Type of connection:	4-BOLT FLANGE
Type of connection:	C.I. Flange
Pipe connection:	4 - Bolt Flange
Pressure rating for connection:	PN 10
Port-to-port length:	8 9/16 in
<b>Liquid:</b>	
Pumped liquid:	Water
Liquid temperature range:	35.6 .. 230 °F
Selected liquid temperature:	140 °F
Density:	61.35 lb/ft <sup>3</sup>
<b>Electrical data:</b>	
Power input in speed 1:	0.3487 HP
Power input in speed 2:	350 W
Max. power input:	395 W
Mains frequency:	60 Hz
Rated voltage:	1 x 115 V
Current in speed 1:	2.7 A
Current in speed 2:	3.4 A
Current in speed 3:	3.6 A
Capacitor size - run:	40 µF/180 V
Number of poles:	2
Insulation class (IEC 85):	H
Built-in motor protection:	CONTACT
Thermal protec:	Internal
<b>Others:</b>	
Terminal box position:	9H
Net weight:	14.4 lb
Gross weight:	17.3 lb
Country of origin:	US
Custom tariff no.:	8413.70.2005



Pumped liquid = Water  
 Liquid temperature during operation = 140 °F  
 Density = 61.35 lb/ft<sup>3</sup>

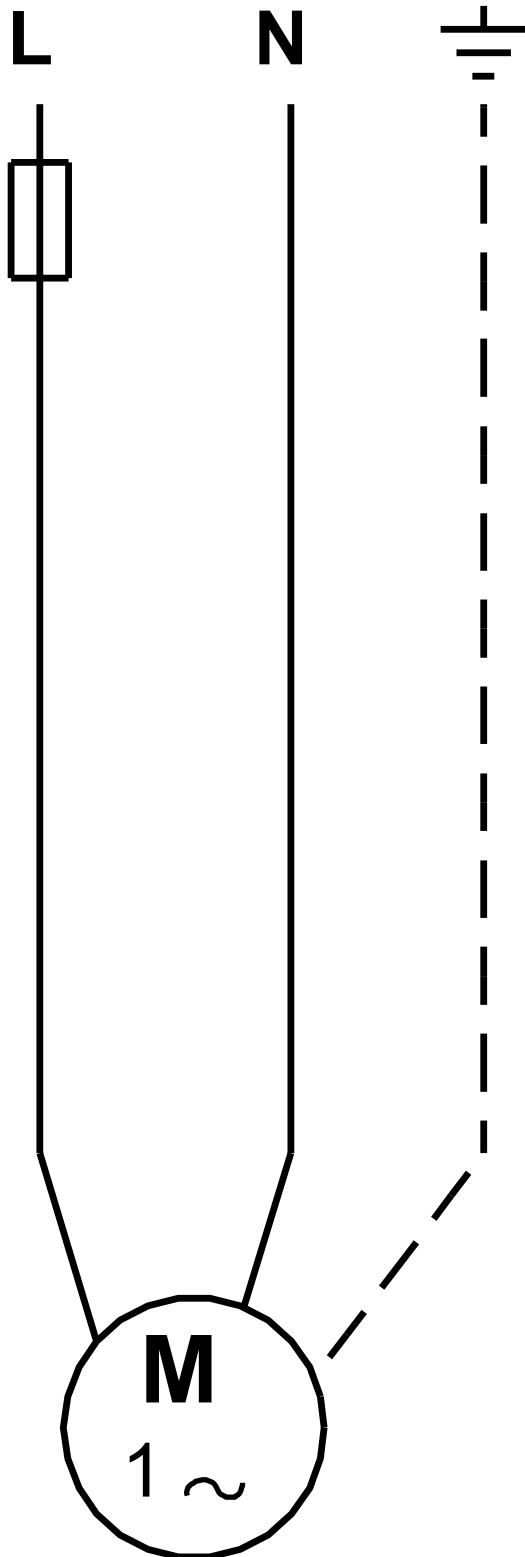


## 97523134 UPS 50-60 F 60 Hz



Note! All units are in [in] unless others are stated.  
Disclaimer: This simplified dimensional drawing does not show all details.

97523134 UPS 50-60 F 60 Hz



Note! All units are in [in] unless others are stated.



