

Submittal Data

PROJECT:	UNIT TAG:	QUANTITY:
REPRESENTATIVE: _____	TYPE OF SERVICE:	DATE: _____
ENGINEER:	SUBMITTED BY:	DATE:
CONTRACTOR:	APPROVED BY:	DATE:
	ORDER NO.:	DATE:

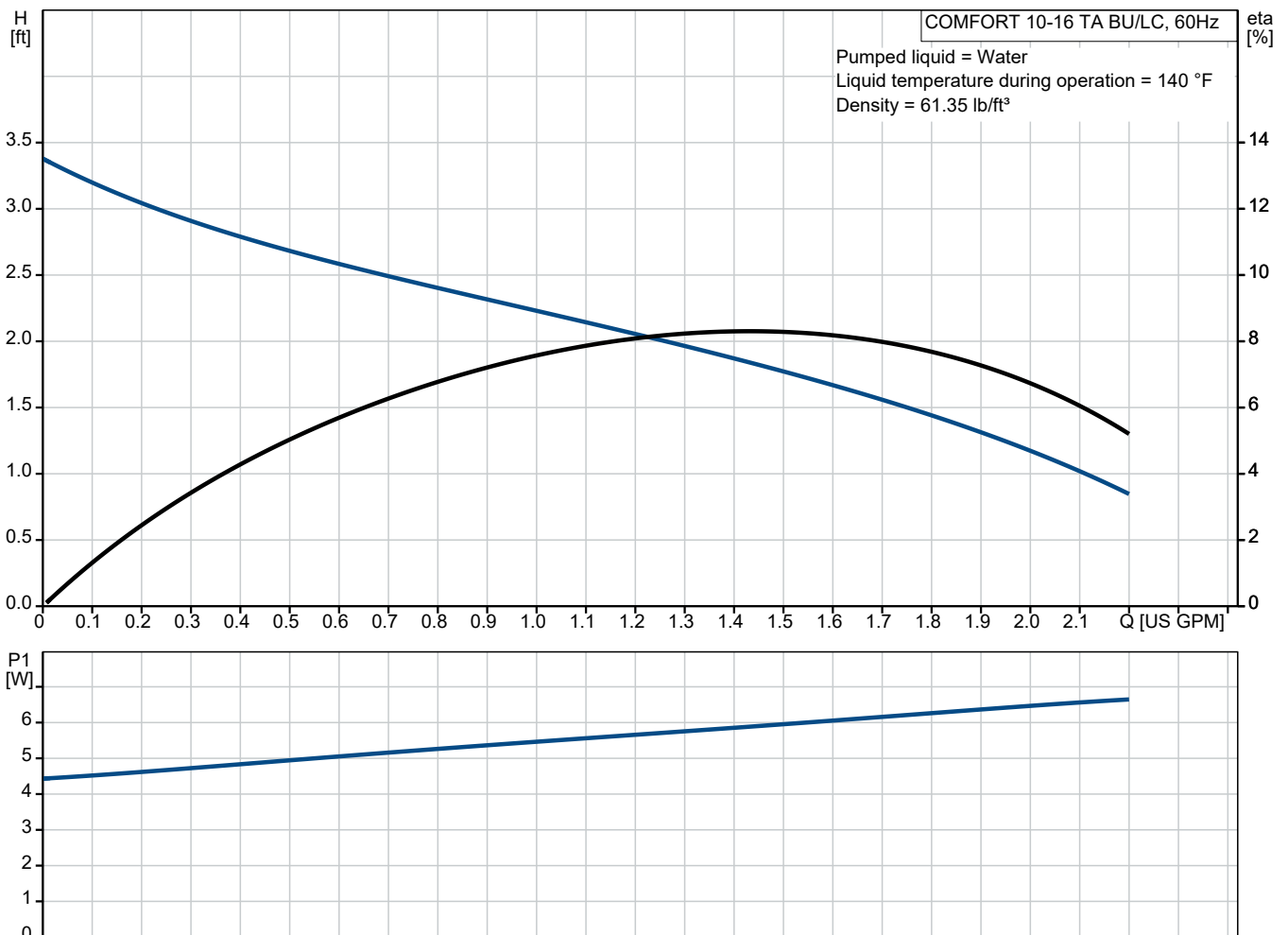


COMFORT 10-16 TA BU/LC

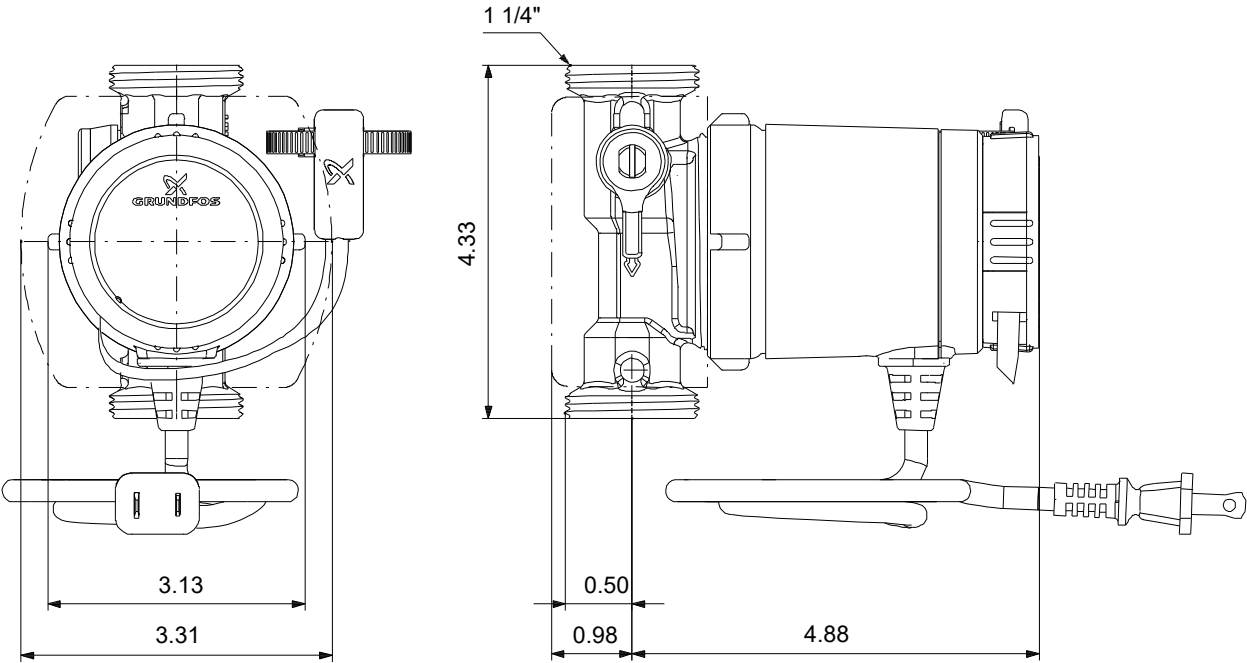
COMFORT is an efficient circulator designed for hot-water recirculation in domestic buildings with a dedicated return line. It features a built-in temperature sensor and control modes to limit heat losses.

Note! Product picture may differ from actual product

Conditions of Service		Pump Data		Motor Data	
Liquid:	Water	Liquid temperature range:	34.9 .. 179.6 °F	Max. power input:	6 W
Temperature:	140 °F	Pipe connection:	1 1/4" NPSM	Mains frequency:	60 Hz
Specific Gravity:	0.985	Product number:	98420224	Enclosure class:	IP44
				Thermal protection:	ELEC



Submittal Data



Materials:
Pump housing: Brass
Pump housing: ASTM C28500
Impeller: Composite

Qty. Description

1 COMFORT 10-16 TA BU/LC



Note! Product picture may differ from actual product

Product No.: [98420224](#)

COMFORT TA pumps are efficient circulators designed for hot-water recirculation in domestic buildings with a dedicated return line. The pumps are compatible with all types of water heater tanks, tankless systems, solar or heat pumps regardless of whether the system has mixing or tampering valves installed or not.

The pump features a compact housing and a permanent magnet with an integrated control unit. The spherical rotor, equipped with an impeller, ensures optimal functionality supported by a robust single-bearing ball system. The drinking-water approved brass pump housing guarantees both safety and reliability.

COMFORT TA moreover features a built-in temperature sensor to maintain water temperature.

COMFORT TA offers three control modes: AUTOADAPT, temperature and continuous 24/7.

With the AUTOADAPT control mode, the pump learns usage patterns throughout the day and ensures that hot water is available only when needed. This makes AUTOADAPT the most energy efficient control mode in the COMFORT range.

To form the operation schedule, the pump detects, logs and analyses hot water tapping events.

The pump uses both the external and internal temperature sensors for tapping event detection.

The balance between comfort and energy savings is provided by the complex algorithm that differentiates between spontaneous water usage and the actual consumption behaviour.

The pump also ensures that the system is sanitized by running a 15-minute disinfection cycle once a week regardless of the operating schedule.

The temperature control mode incorporates both the external and internal sensors for more accurate water temperature measurement and activates the pump when the water temperature drops below a certain level.

The on/off temperatures are automatically adjusted based on the maximum temperature measured in the system.

The maximum temperature of the system is measured constantly, allowing dynamic adjustment of the on/off temperatures.

This mode also includes automatic vacation mode for enhanced energy efficiency.

The continuous 24/7 control mode allows the pump to operate continuously while connected to the power supply. This control mode is recommended when the hot-water recirculation system is required to run uninterrupted or in cases when the pump is connected to an external control unit.

The product offers:

- QH performance designed for single and multi-family homes, depending on the required duty point to accommodate for heat losses in specific pipe layout.
- Low power consumption and silent operation.
- Compliance with pipe manufacturer's flow velocity limit recommendations due to a low operating flow, for 1/2" and 3/4" copper or PEX pipes.
- Eco brass pump housing and stainless-steel rotor that provide safe and reliable operation.
- Drinking-water approval, enabling the product to meet unlimited water hardness requirement.
- A design that makes it easy to clean limescale and foreign deposits by removing the pump head.



Company name:

Created by:

Phone:

Date:

19/07/2024

Qty.	Description
------	-------------

1	<ul style="list-style-type: none">- Dry-running protection to prevent failure if system runs out of water.- Multiple installation positions, even with the pump head pointing downwards.- A pump head designed to fit all brass pump housings of the same design from different brands (such as WILO, LOWARA, LAING and VORTEX). The design enables easy installation and removes the need to replace the pump housing and drain the system.- Easy installation with included line cord for electrical connection which does not require ground connection in the socket due to the pump having double insulation.- Isolating and check valves for reduced installation cost.- Insulation shell for reduced heat loss.- An optional venting flange, providing a simple way to vent or drain the system without the need for permanently installing an additional venting valve.- Fittings for pipe connections in different sizes and types.
---	---



Company name:

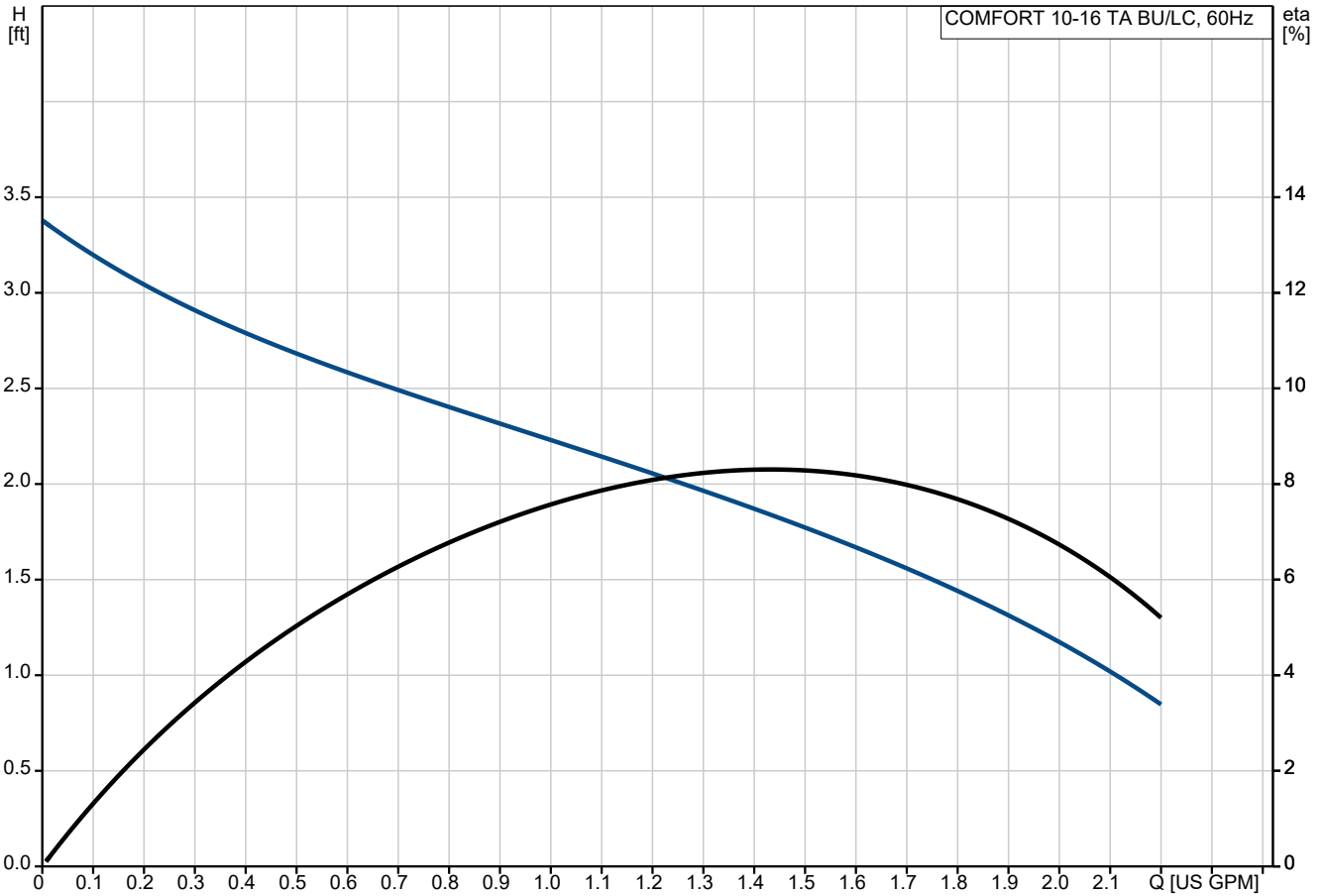
Created by:

Phone:

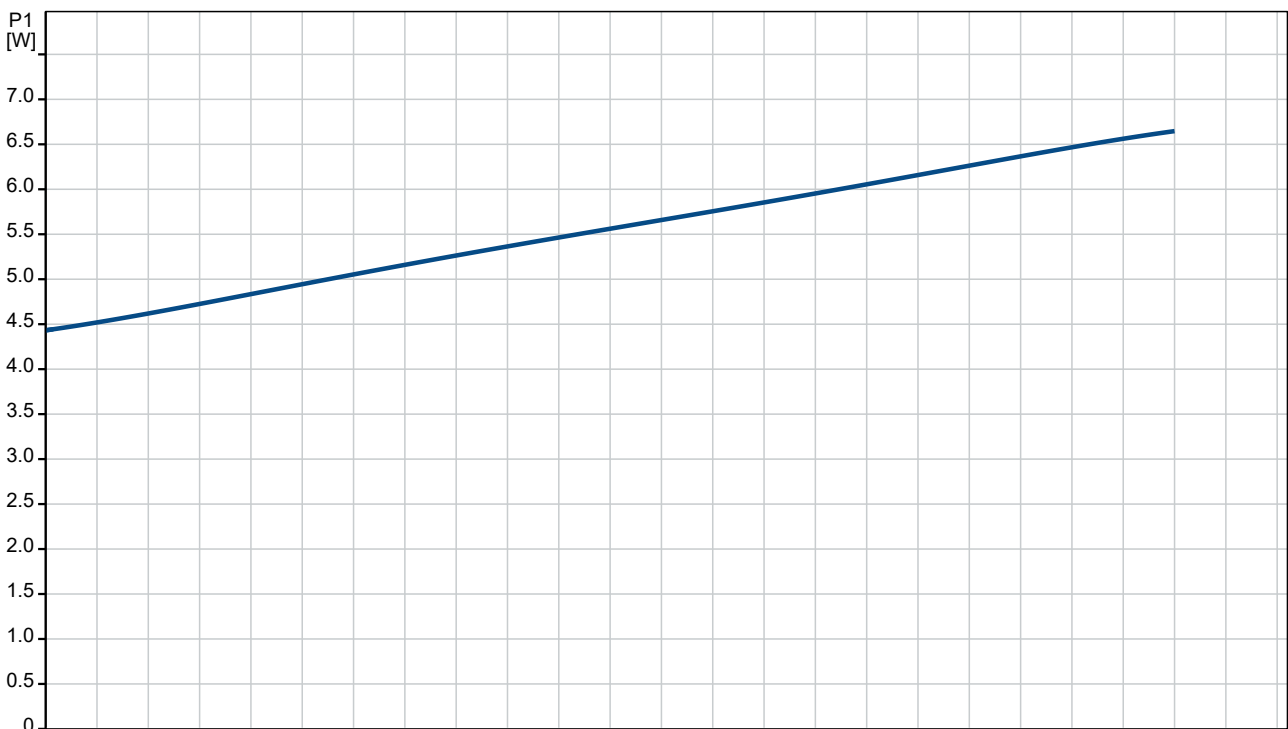
Date:

19/07/2024

98420224 COMFORT 10-16 TA BU/LC 60 Hz



Pumped liquid = Water
Liquid temperature during operation = 140 °F
Density = 61.35 lb/ft³



Description	Value
-------------	-------

General information:

Product name: COMFORT 10-16 TA BU/LC
 Product No: 98420224
 EAN number: 5711494712892
 Price:

Technical:

Rated flow: 1.45 US GPM
 Rated head: 1.841 ft
 Head max: 5.25 ft
 TF class: 95
 Approvals: UL, CSA
 Y = pump with built-in isolating and non-return valves: Y

Materials:

Pump housing: Brass
 Pump housing: ASTM C28500
 Impeller: Composite
 Impeller: PES+30% GF

Installation:

Maximum operating pressure: 145.04 psi
 Type of connection: 1 1/4" NPSM
 Pipe connection: 1 1/4" NPSM
 Pressure rating for connection: PN 10
 Port-to-port length: 4 3/8 in

Liquid:

Pumped liquid: Water
 Liquid temperature range: 34.9 .. 179.6 °F
 Selected liquid temperature: 140 °F
 Density: 61.35 lb/ft³

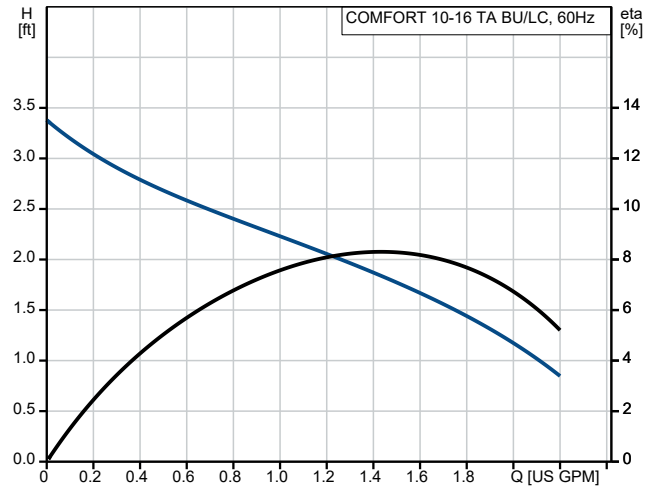
Electrical data:

Max. power input: 6 W
 Mains frequency: 60 Hz
 Rated voltage: 1 x 115-230 V
 Current in speed 3: 0.1 A
 Enclosure class (IEC 34-5): IP44
 Insulation class (IEC 85): F
 Built-in motor protection: NONE
 Thermal protec: ELEC
 Cable type: Connecting cord with plug

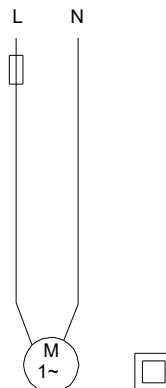
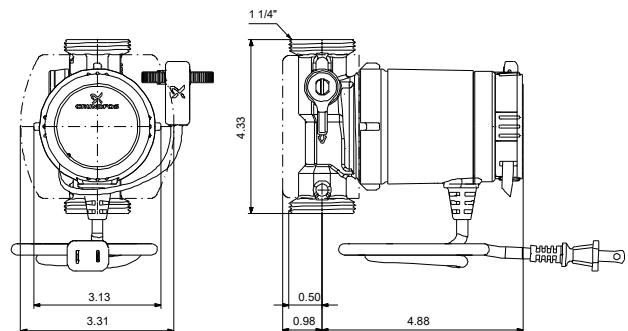
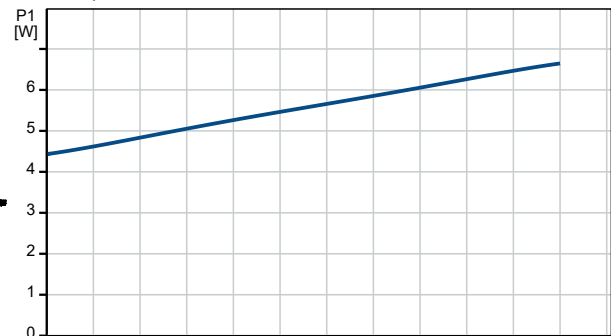
Type of cable plug: NEMA 1-15P

Others:

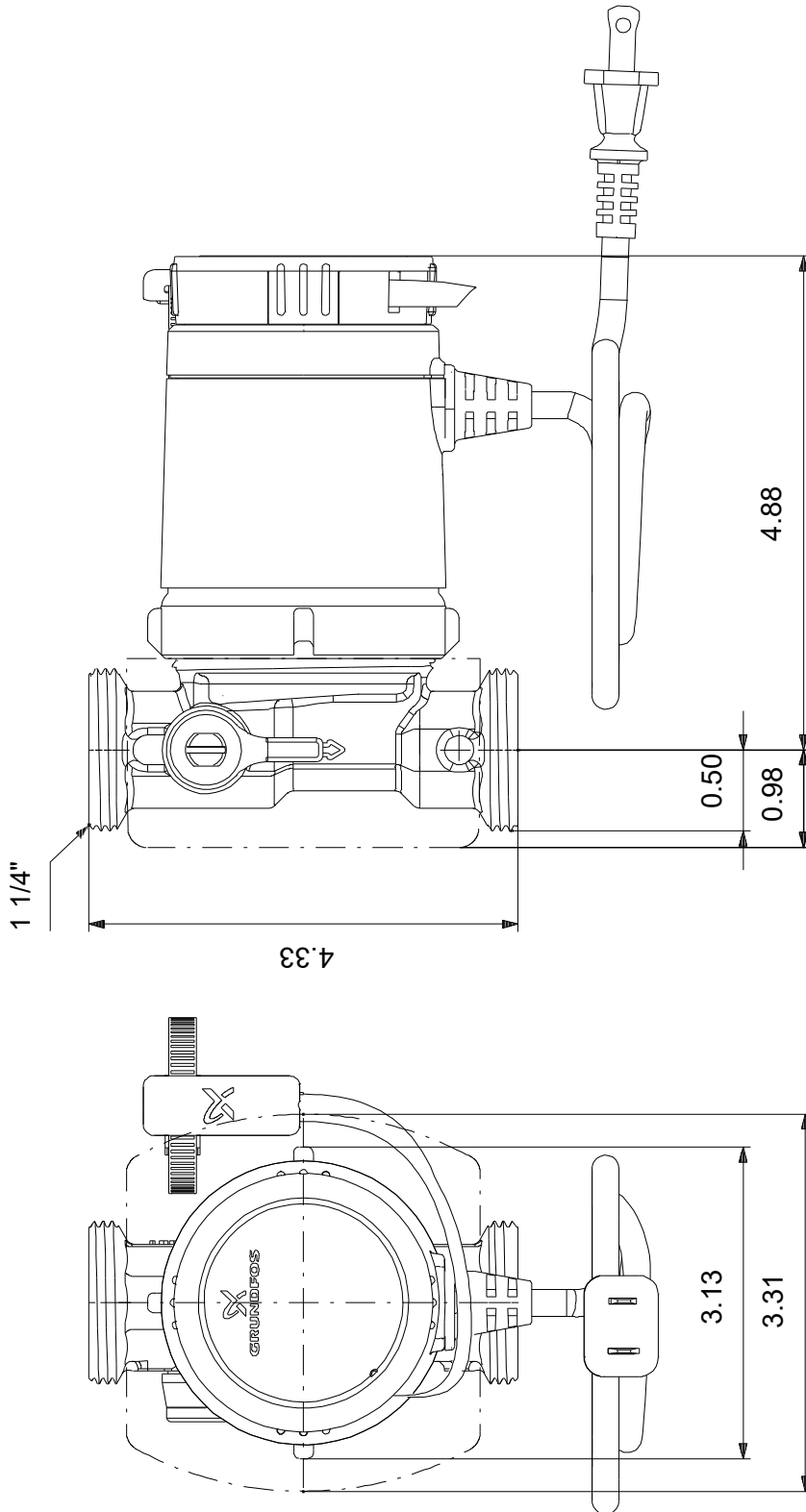
Net weight: 3.17 lb
 Gross weight: 3.4 lb
 Shipping volume: 0.15 ft³
 Country of origin: DE
 Custom tariff no.: 8413.70.2005



Pumped liquid = Water
 Liquid temperature during operation = 140 °F
 Density = 61.35 lb/ft³



98420224 COMFORT 10-16 TA BU/LC 60 Hz



Note! All units are in [in] unless others are stated.
Disclaimer: This simplified dimensional drawing does not show all details.

98420224 COMFORT 10-16 TA BU/LC 60 Hz



Note! All units are in [in] unless others are stated.

