

# Submittal Data

PROJECT:	UNIT TAG:	QUANTITY:
REPRESENTATIVE: _____	TYPE OF SERVICE:	DATE: _____
ENGINEER:	SUBMITTED BY:	DATE:
CONTRACTOR:	APPROVED BY:	DATE:
	ORDER NO.:	DATE:

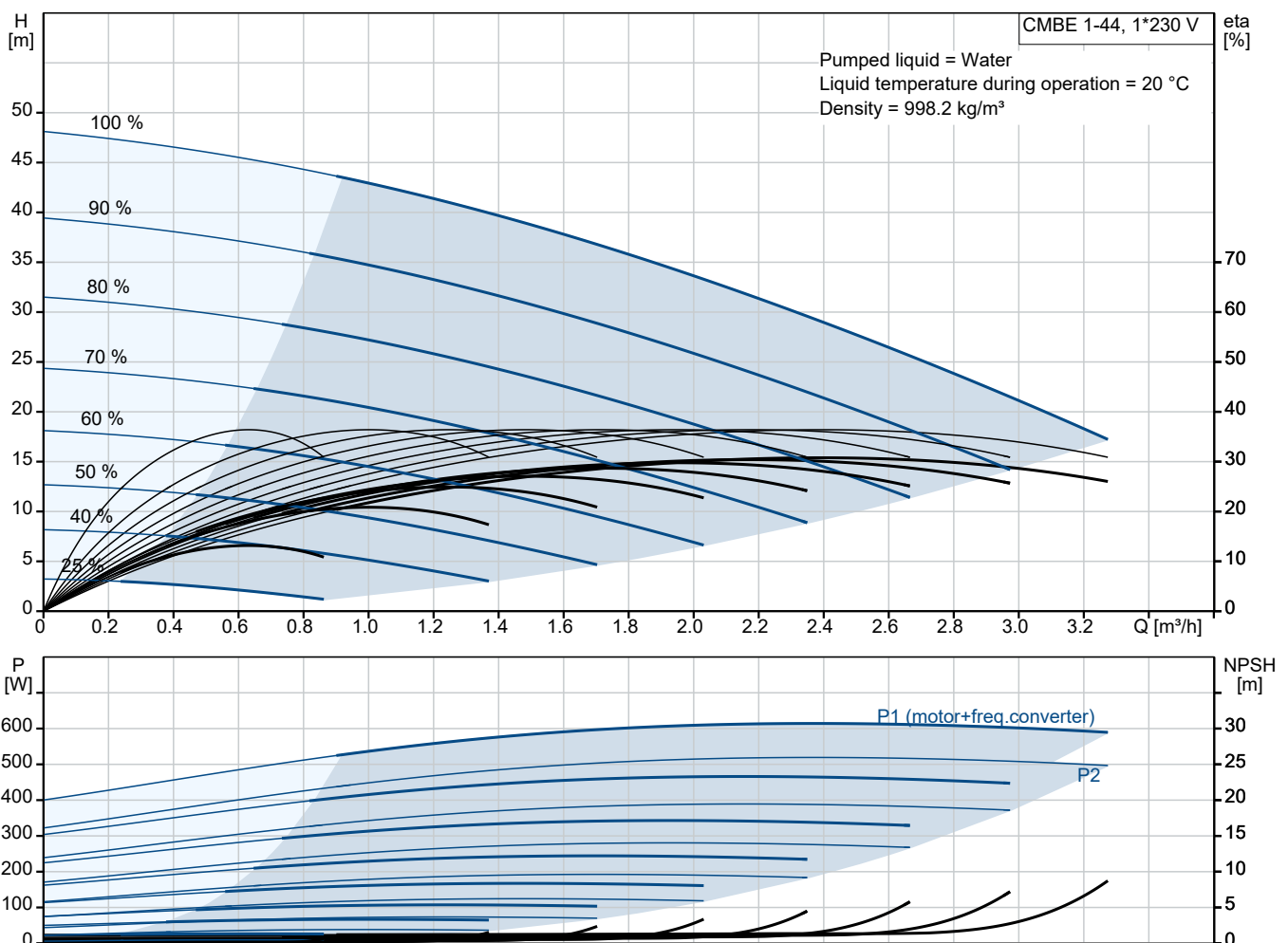


## CMBE 1-44 I-U-A-E-D-E

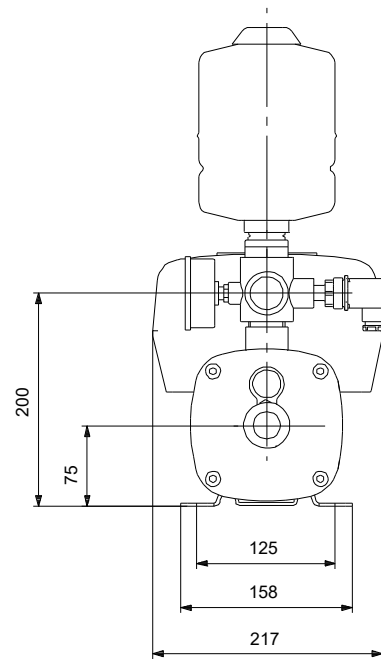
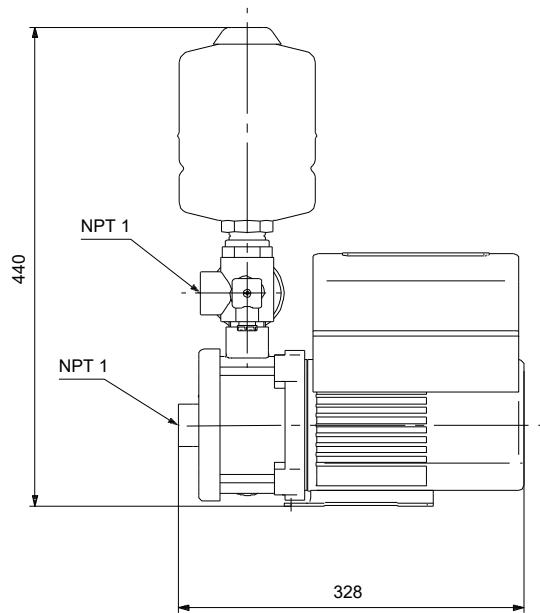
CMBE is a high-efficiency compact booster suitable for clean water supply and pressure boosting in domestic and light commercial applications. It keeps constant pressure via the integrated speed control.

Note! Product picture may differ from actual product

Conditions of Service		Pump Data		Motor Data	
Liquid:	Water	Liquid temperature range:	0 .. 60 °C	Mains frequency:	50 Hz
Temperature:	20 °C	Maximum ambient temperature:	50 °C	Enclosure class:	IP55
Specific Gravity:	1.000	Shaft seal:	AQQE		
		Product number:	On request		



# Submittal Data



## Materials:

Pump housing: Stainless steel  
Pump housing: AISI 304  
Impeller: Stainless steel  
Impeller: AISI 304  
Impeller: EN 1.4301  
Code for rubber: EPDM

**Qty. Description**

1 CMBE 1-44 I-U-A-E-D-E



Note! Product picture may differ from actual product

Product No.: On request

The Grundfos CMBE booster is a compact booster system for water supply in domestic applications. The integrated speed controller enables the CMBE booster to keep constant pressure in the pipe system. A pressure sensor monitoring changes in the water consumption signals the speed controller to change motor speed to adapt performance to the new state.

The CMBE booster is very easy to install. When the system has been connected to the pipes, it is all a matter of inserting the plug into a power supply socket, and the system is operational.

The CMBE booster consists of the following:

- CME pump with integrated frequency converter
- Five-way valve
- expansion tank
- pressure gauge

The Grundfos CMBE booster requires no external motor protection.

The MGE motor incorporates thermal protection against slow overloading and blocking (IEC 34.11: TP 211).

The Grundfos CMBE booster is mainly used for domestic and light commercial water supply or booster systems.

NB:

Suction lift: maximum 1 m, including inlet pipe pressure loss at a liquid temperature of 20 °C (not self-priming).

Controls:

Type of connector: No plug

Frequency converter: Built-in

Liquid:

Pumped liquid: Water

Liquid temperature range: 0 .. 60 °C

Selected liquid temperature: 20 °C

Density: 998.2 kg/m<sup>3</sup>

Technical:

Pump speed on which pump data are based: 3776 rpm

Rated flow: 2.4 m<sup>3</sup>/h

Rated head: 28.7 m

Code for shaft seal: AQQE

Approvals: cULus

Approvals for drinking water: CULUS DW NSF61

Curve tolerance: ISO9906:2012 3B

Return valve: YES

Start pressure: Integrated Frequency converter

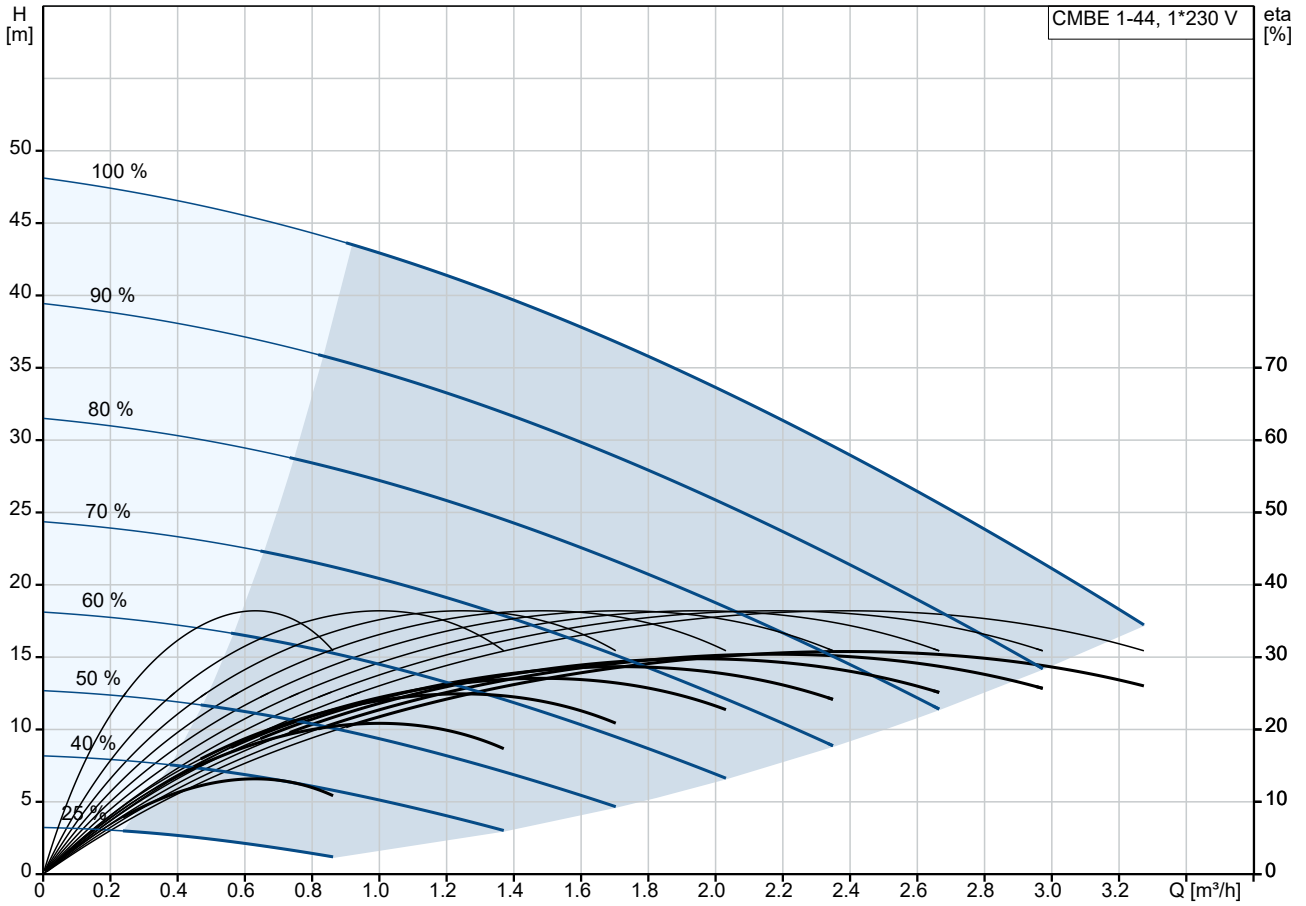
Materials:

Pump housing: Stainless steel

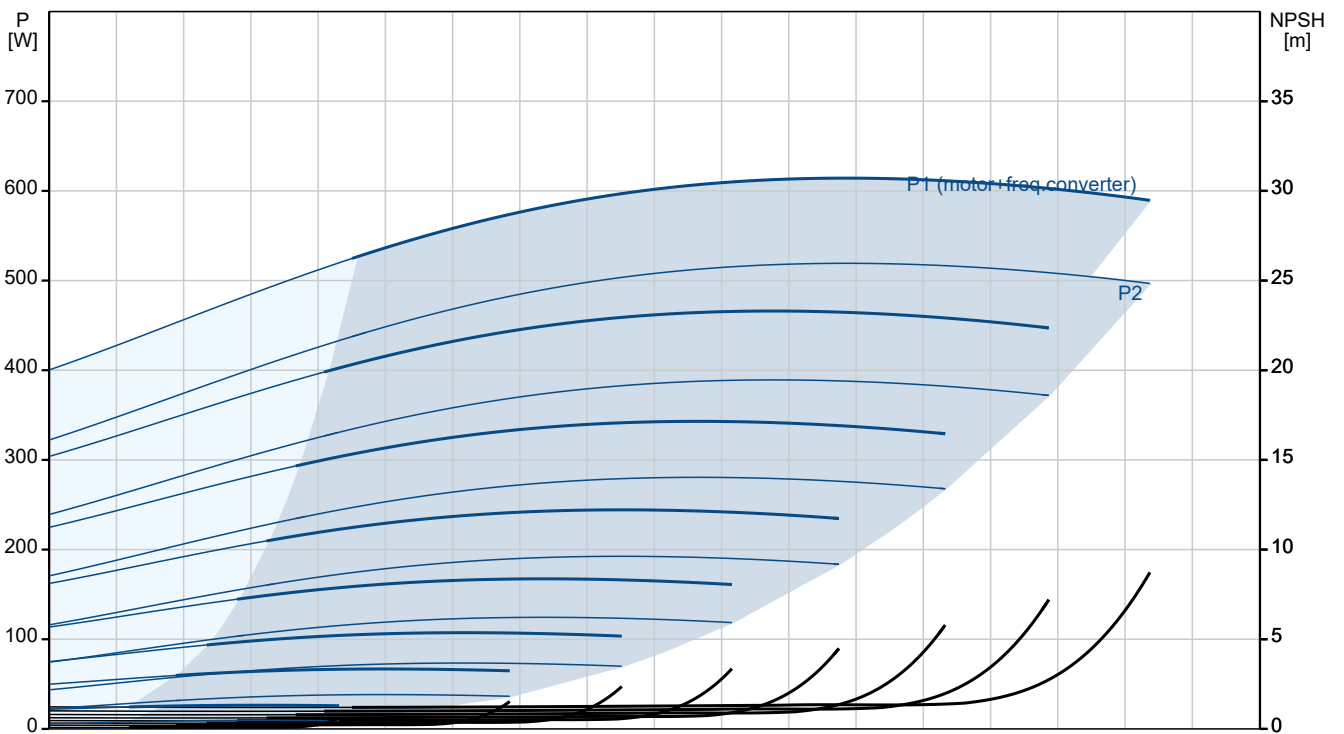
EN 1.4301

Qty.	Description
1	<p data-bbox="201 338 724 456"> <b>Impeller:</b>                      AISI 304                      Stainless steel                      EN 1.4301                      AISI 304                 </p> <p data-bbox="201 495 711 763"> <b>Installation:</b>                      Maximum ambient temperature: 50 °C                      Maximum operating pressure: 10 bar                      Pipe connection standard: ANSI B1.20.1                      Type of inlet connection: NPT(M)                      Type of outlet connection: NPT(F)                      Size of inlet connection: 1                      Size of outlet connection: 1                      Pressure rating for connection: PN 10                 </p> <p data-bbox="201 797 719 1099"> <b>Electrical data:</b>                      Rated power - P2: 0.55 kW                      Mains frequency: 50 Hz                      Rated voltage: 1 x 200-240 V                      Maximum current consumption: 3.45-2.9 A                      Rated speed: 360-4000 rpm                      Enclosure class (IEC 34-5): IP55                      Insulation class (IEC 85): F                      Length of cable: No cable m                      Power plug: No plug                 </p> <p data-bbox="201 1133 592 1189"> <b>Tank:</b>                      Tank volume: 2 l                 </p> <p data-bbox="201 1223 663 1344"> <b>Others:</b>                      Net weight: 16.2 kg                      Gross weight: 26 kg                      Shipping volume: 0.159 m<sup>3</sup> </p>

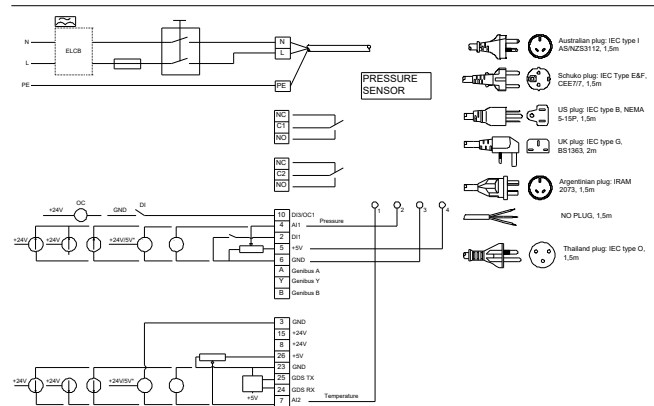
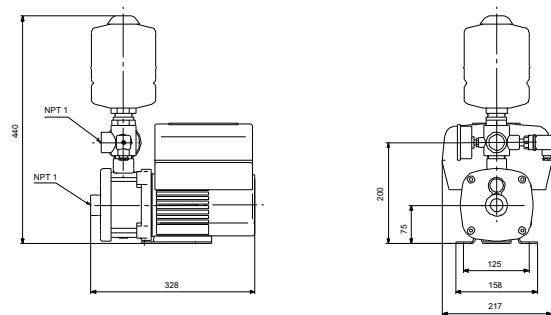
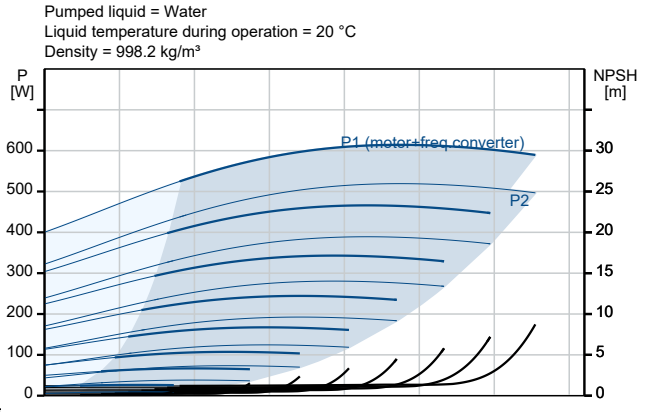
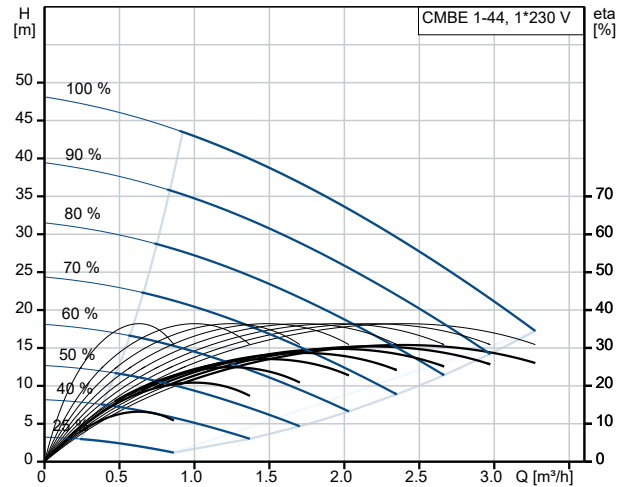
## On request CMBE 1-44 I-U-A-E-D-E 50 Hz



Pumped liquid = Water  
Liquid temperature during operation = 20 °C  
Density = 998.2 kg/m³



Description	Value
<b>General information:</b>	
Product name:	CMBE 1-44 I-U-A-E-D-E
Product No:	On request
EAN number:	On request
<b>Technical:</b>	
Pump speed on which pump data are based:	3776 rpm
Rated flow:	2.4 m <sup>3</sup> /h
Rated head:	28.7 m
Impellers:	3
Code for shaft seal:	AQQE
Approvals:	cULus
Approvals for drinking water:	CULUS DW NSF61
Curve tolerance:	ISO9906:2012 3B
Model:	A
Return valve:	YES
Start pressure:	Integrated Frequency converter
<b>Materials:</b>	
Pump housing:	Stainless steel
Pump housing:	EN 1.4301
Pump housing:	AISI 304
Impeller:	Stainless steel
Impeller:	EN 1.4301
Impeller:	AISI 304
Code for rubber:	EPDM
<b>Installation:</b>	
Maximum ambient temperature:	50 °C
Maximum operating pressure:	10 bar
Pipe connection standard:	ANSI B1.20.1
Type of inlet connection:	NPT(M)
Type of outlet connection:	NPT(F)
Size of inlet connection:	1
Size of outlet connection:	1
Pressure rating for connection:	PN 10
<b>Liquid:</b>	
Pumped liquid:	Water
Liquid temperature range:	0 .. 60 °C
Selected liquid temperature:	20 °C
Density:	998.2 kg/m <sup>3</sup>
<b>Electrical data:</b>	
Rated power - P2:	0.55 kW
Mains frequency:	50 Hz
Rated voltage:	1 x 200-240 V
Maximum current consumption:	3.45-2.9 A
Rated speed:	360-4000 rpm
Enclosure class (IEC 34-5):	IP55
Insulation class (IEC 85):	F
Length of cable:	No cable m
Power plug:	No plug
<b>Controls:</b>	
Type of connector:	No plug
Frequency converter:	Built-in
<b>Tank:</b>	
Tank volume:	2 l
<b>Others:</b>	
Net weight:	16.2 kg
Gross weight:	26 kg





Company name:

Created by:

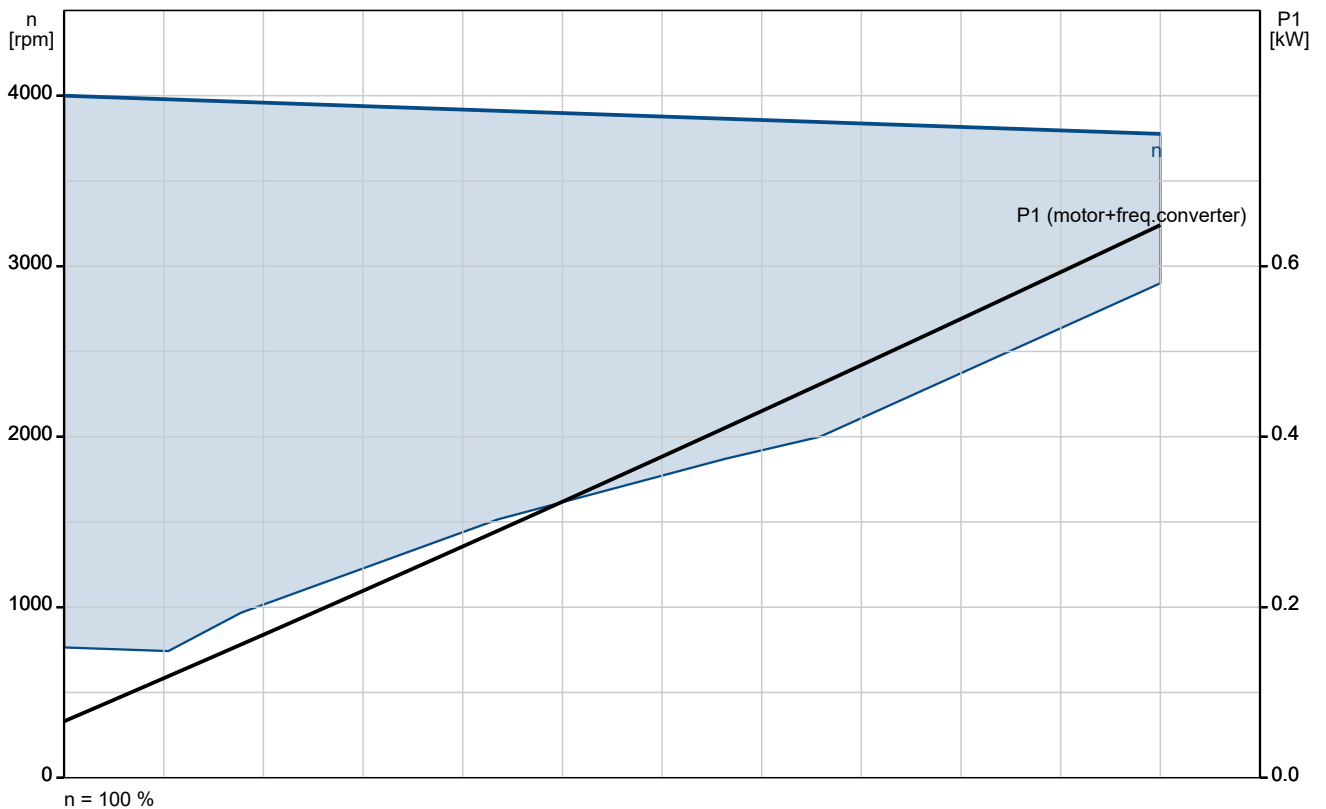
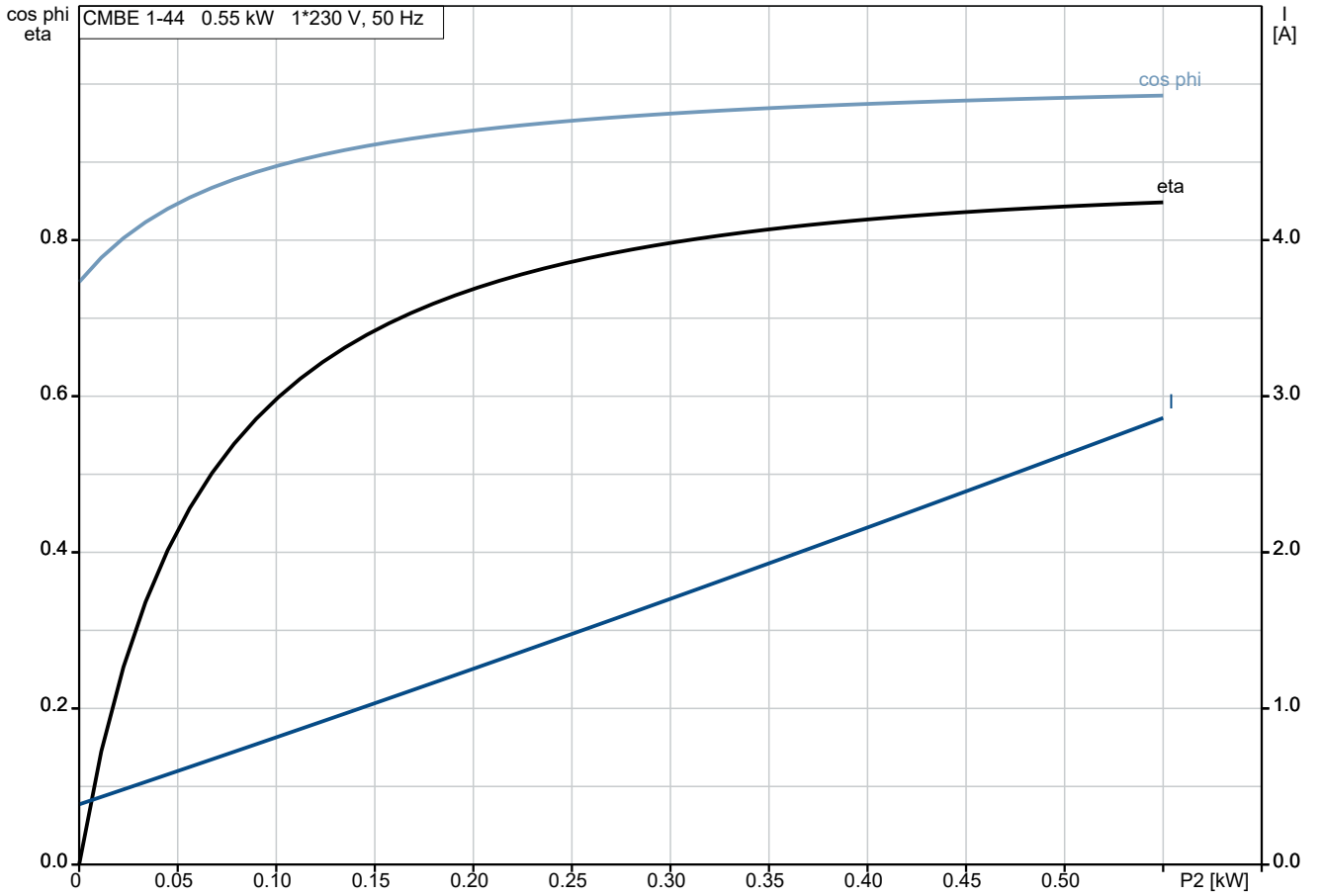
Phone:

Date:

08/08/2024

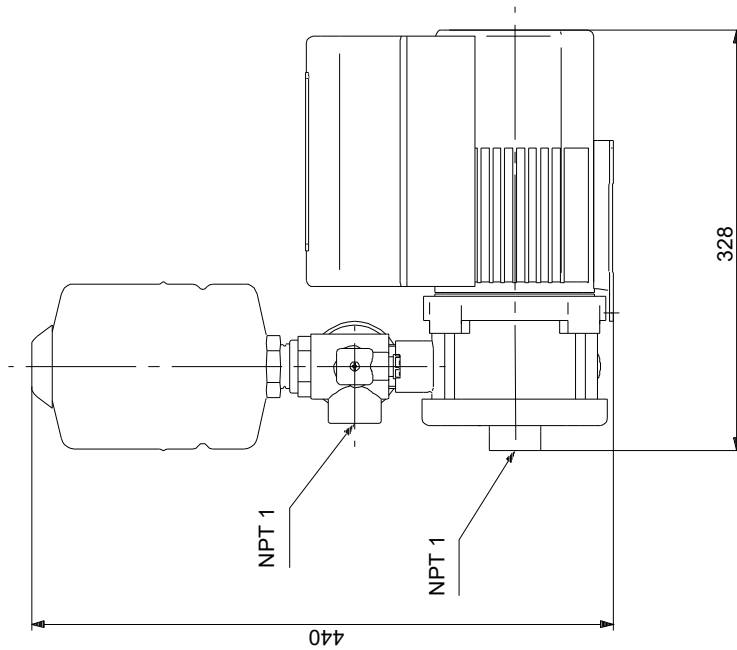
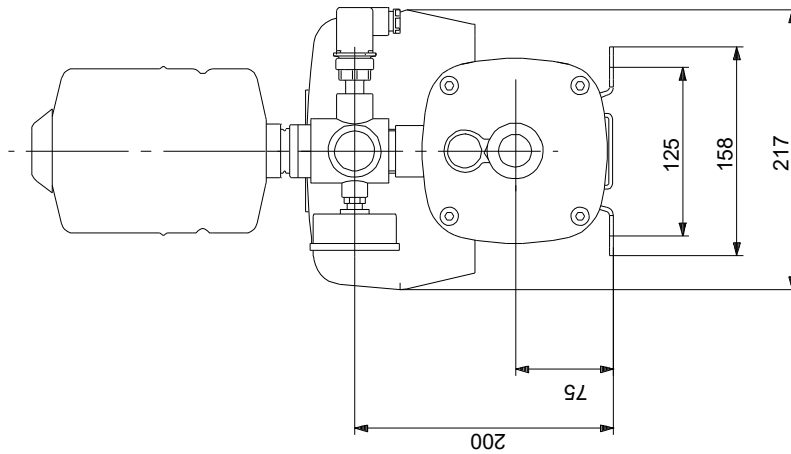
Description	Value
Shipping volume:	0.159 m <sup>3</sup>
Sales region:	Namreg
Config. file no:	98498325

## On request CMBE 1-44 I-U-A-E-D-E 50 Hz



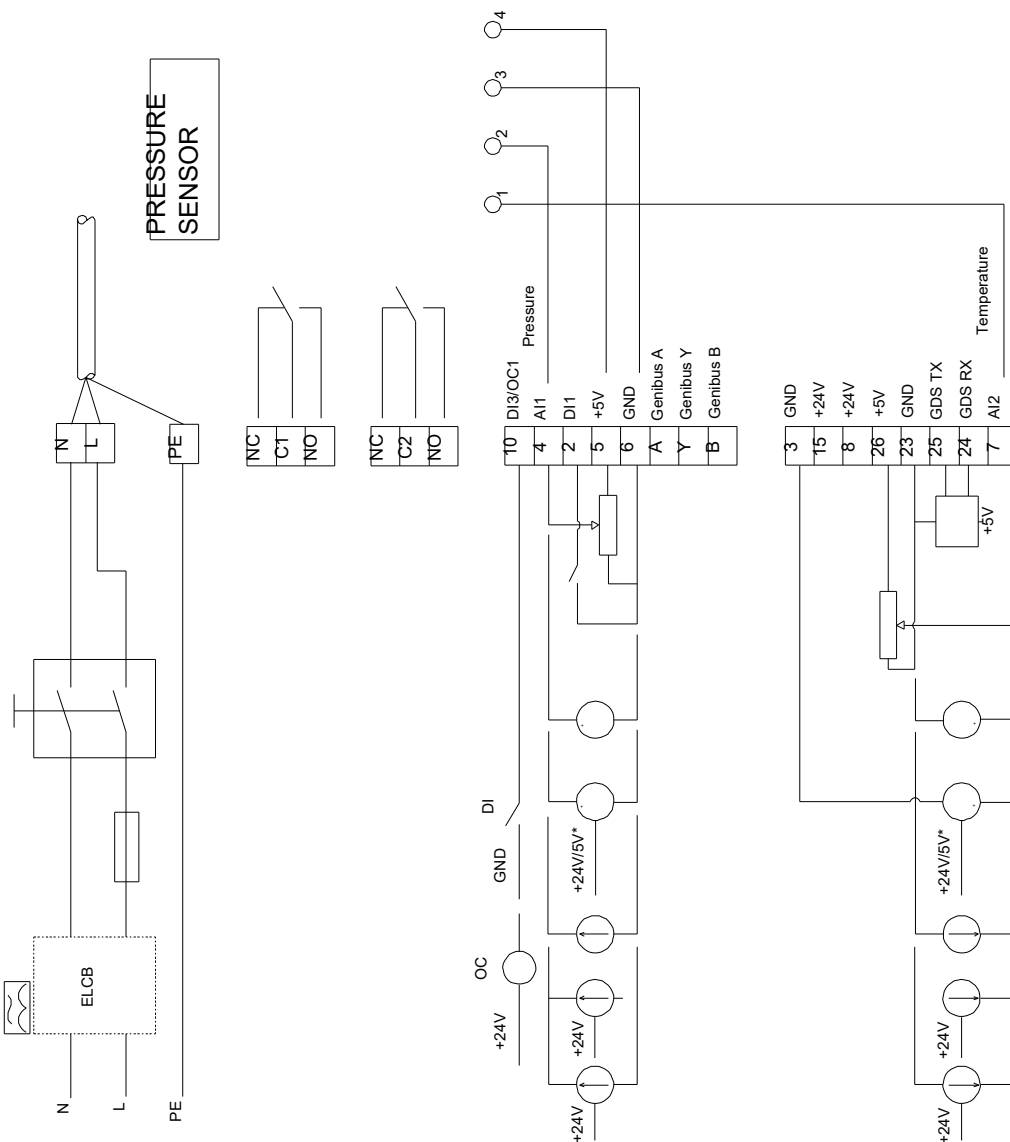
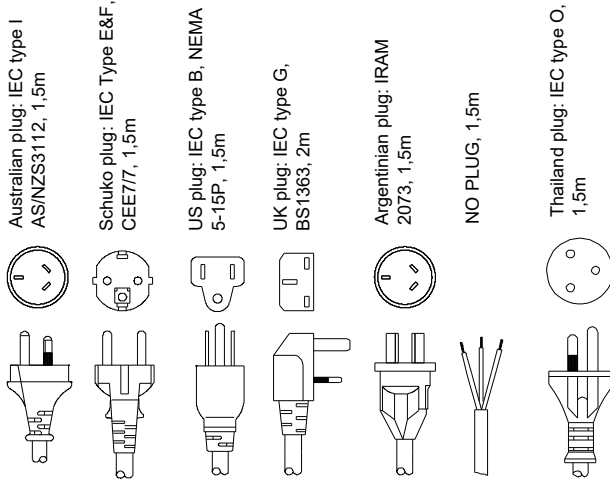


## On request CMBE 1-44 I-U-A-E-D-E 50 Hz



Note! All units are in [mm] unless others are stated.  
Disclaimer: This simplified dimensional drawing does not show all details.

## On request CMBE 1-44 I-U-A-E-D-E 50 Hz



Note! All units are in [mm] unless others are stated.

