

Submittal Data

PROJECT:	UNIT TAG:	QUANTITY:
REPRESENTATIVE: _____	TYPE OF SERVICE:	DATE: _____
ENGINEER:	SUBMITTED BY:	DATE:
CONTRACTOR:	APPROVED BY:	DATE:
	ORDER NO.:	DATE:

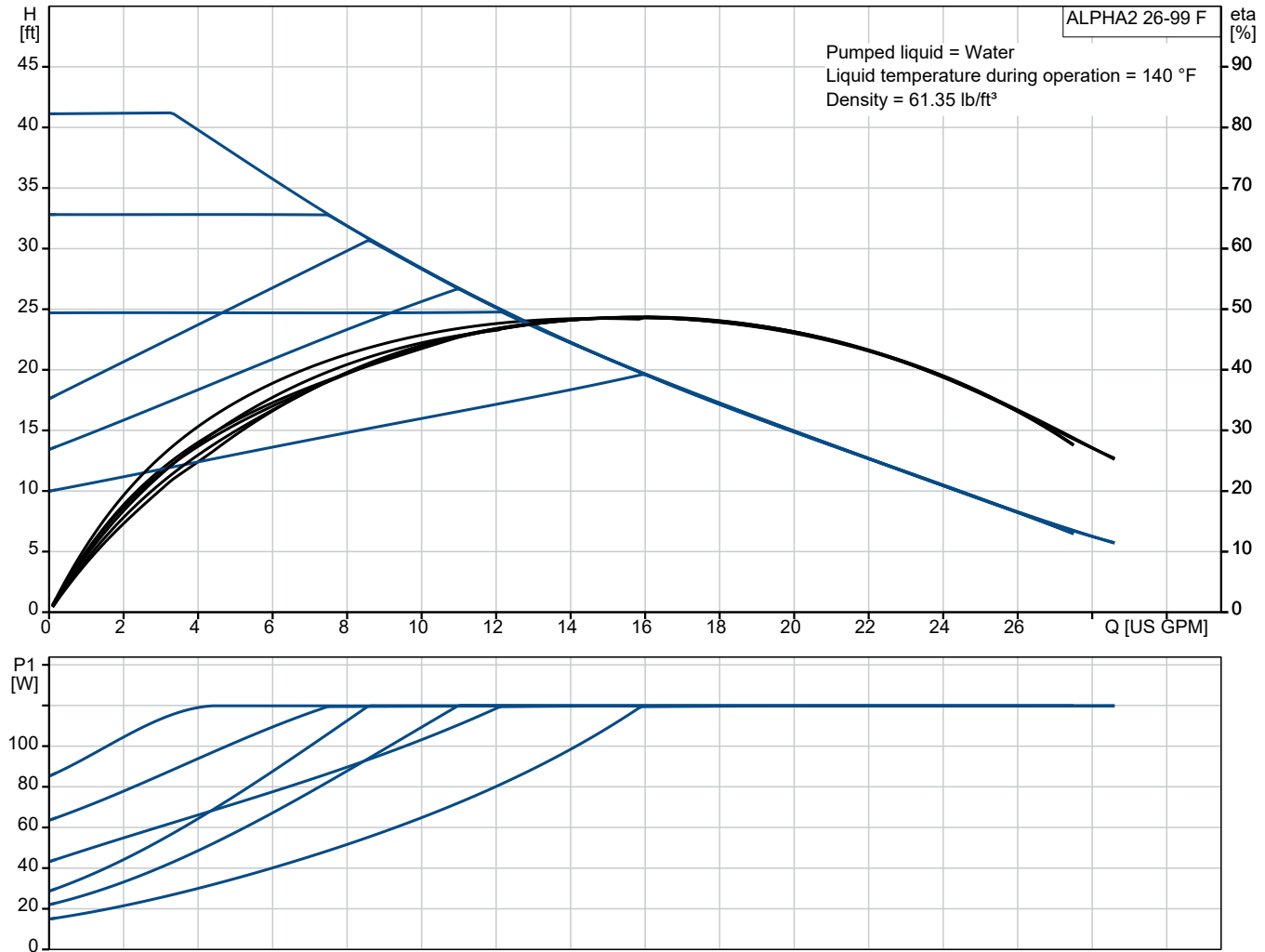


ALPHA2 26-99 F

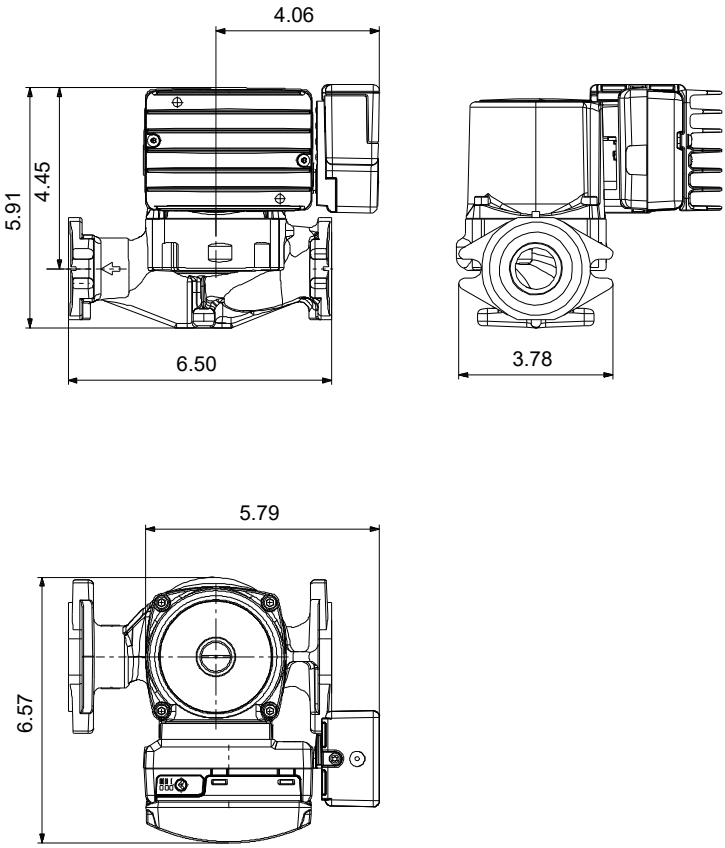
ALPHA2 26-99 is a high-efficiency circulator designed for heating and cooling applications. It features different operating modes, including constant pressure AUTOADAPT and proportional pressure AUTOADAPT.

Note! Product picture may differ from actual product

Conditions of Service		Pump Data		Motor Data	
Liquid:	Water	Liquid temperature range:	14 .. 203 °F	Mains frequency:	60 Hz
Temperature:	140 °F	Maximum ambient temperature:	131 °F	Enclosure class:	IP42
Specific Gravity:	0.985	Product number:	99490916	Thermal protection:	ELEC



Submittal Data



Materials:
Pump housing: Cast iron
Impeller: Composite

Qty. Description

1 ALPHA2 26-99 F



Note! Product picture may differ from actual product

Product No.: [99490916](#)

The Grundfos ALPHA2 is a medium sized high-efficiency, variable speed circulator fitted with electronically commutated motor. Designed for circulating liquids in heating systems.

It features a constant pressure control mode and a proportional pressure control mode each with three settings, and constant pressure and proportional pressure AUTOADAPT.

The constant and proportional pressure AUTOADAPT mode enables the pump to continuously adjust the pump performance to the actual heat demand, i.e.

the size of the system and the changing heat demands during the year.

The function will find the setting that provides optimal comfort with minimal energy consumption.

It contributes to fast, safe and easy commissioning.

The one-button operation and LED display makes the selection of the settings easy.

ALPHA2 materials and design are resistant to blockage from magnetite found in hydronic systems.

ALPHA2 is complete with an integrated check-valve.

It is fitted with a terminal box for conduit connections.

Liquid:

Pumped liquid: Water
 Liquid temperature range: 14 .. 203 °F
 Selected liquid temperature: 140 °F
 Density: 61.35 lb/ft³

Technical:

Rated flow: 15.9 US GPM
 Rated head: 19.69 ft
 TF class: 95
 Approvals: UL

Materials:

Pump housing: Cast iron
 EN 1561 EN-GJL-150
 Impeller: Composite
 Ultrason E 2010 G6 (PES 30%GF)

Installation:

Range of ambient temperature: 32 .. 131 °F
 Maximum operating pressure: 145.04 psi
 Type of connection: GF



Company name:

Created by:

Phone:

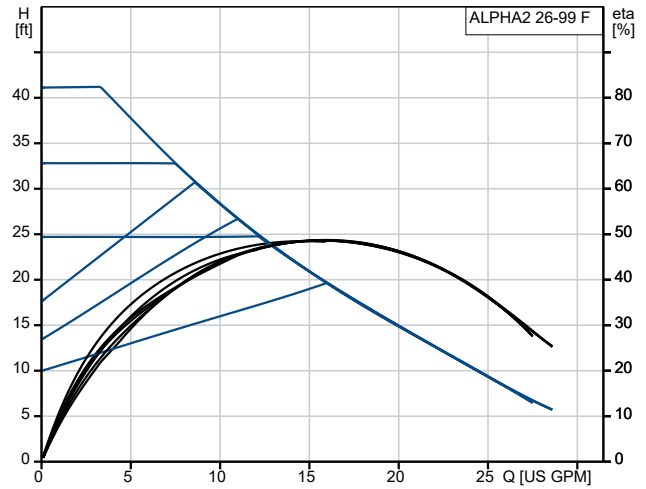
Date:

19/07/2024

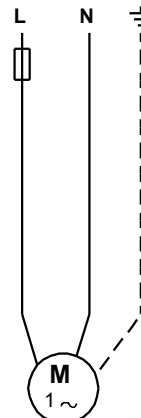
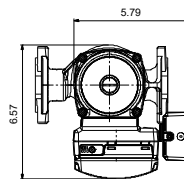
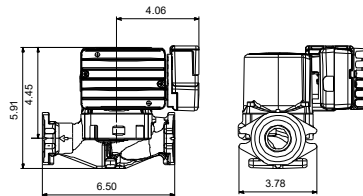
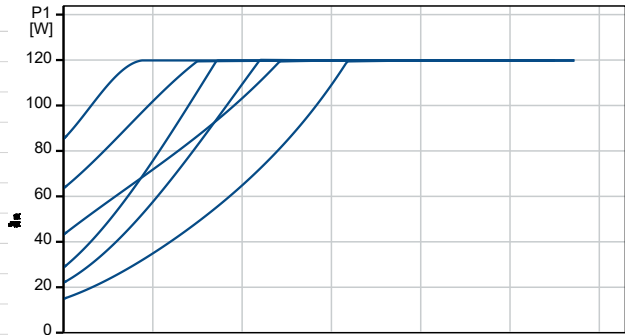
Qty. Description

1	Size of connection:	1 1/4 inch
	Pressure rating for connection:	PN 10
	Port-to-port length:	6 1/2 in
	Electrical data:	
	P1 min.:	3 W
	P1 max.:	120 W
	Mains frequency:	60 Hz
	Rated voltage:	1 x 115 V
	Minimum current consumption:	0.05 A
	Maximum current consumption:	1.7 A
	Enclosure class (IEC 34-5):	IP42
	Insulation class (IEC 85):	F
	Built-in motor protection:	NONE
	Others:	
	Terminal box position:	6H
	Net weight:	7.71 lb
	Gross weight:	8.47 lb
	Shipping volume:	0.28 ft ³
	Country of origin:	US
	Custom tariff no.:	8413.70.2005

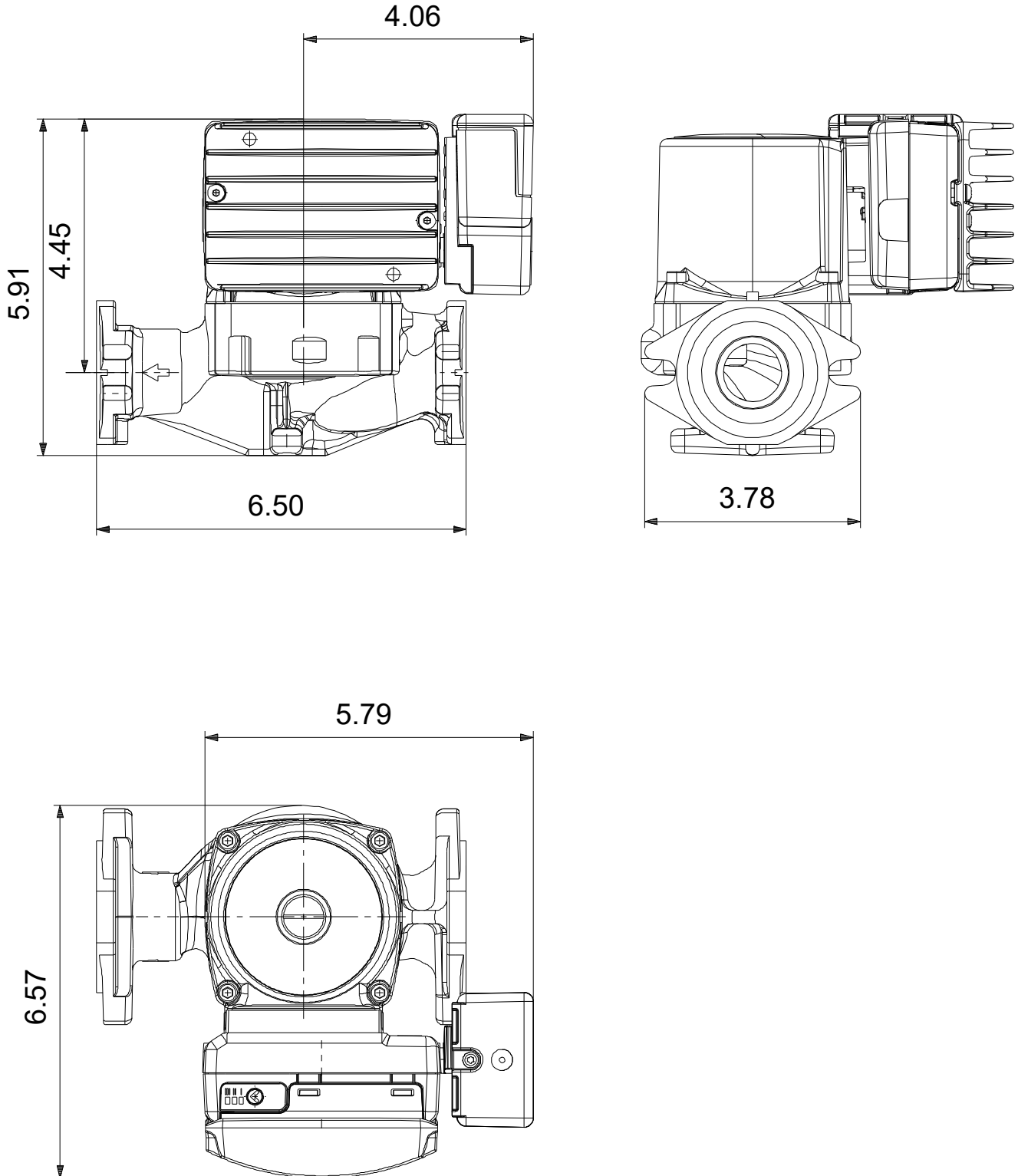
Description	Value
General information:	
Product name:	ALPHA2 26-99 F
Product No:	99490916
EAN number:	5713829959309
Price:	
Technical:	
Rated flow:	15.9 US GPM
Rated head:	19.69 ft
Maximum head:	32.48 ft
TF class:	95
Approvals:	UL
Model:	A
Materials:	
Pump housing:	Cast iron
Pump housing:	EN 1561 EN-GJL-150
Impeller:	Composite
Impeller:	Ultrason E 2010 G6 (PES 30%GF)
Installation:	
Range of ambient temperature:	32 .. 131 °F
Maximum operating pressure:	145.04 psi
Type of connection:	GF
Size of connection:	1 1/4 inch
Pressure rating for connection:	PN 10
Port-to-port length:	6 1/2 in
Liquid:	
Pumped liquid:	Water
Liquid temperature range:	14 .. 203 °F
Selected liquid temperature:	140 °F
Density:	61.35 lb/ft ³
Electrical data:	
P1 min.:	3 W
P1 max.:	120 W
Mains frequency:	60 Hz
Rated voltage:	1 x 115 V
Minimum current consumption:	0.05 A
Maximum current consumption:	1.7 A
Enclosure class (IEC 34-5):	IP42
Insulation class (IEC 85):	F
Built-in motor protection:	NONE
Thermal protec:	ELEC
Others:	
Terminal box position:	6H
Net weight:	7.71 lb
Gross weight:	8.47 lb
Shipping volume:	0.28 ft ³
Sales region:	USA
Country of origin:	US
Custom tariff no.:	8413.70.2005



Pumped liquid = Water
 Liquid temperature during operation = 140 °F
 Density = 61.35 lb/ft³

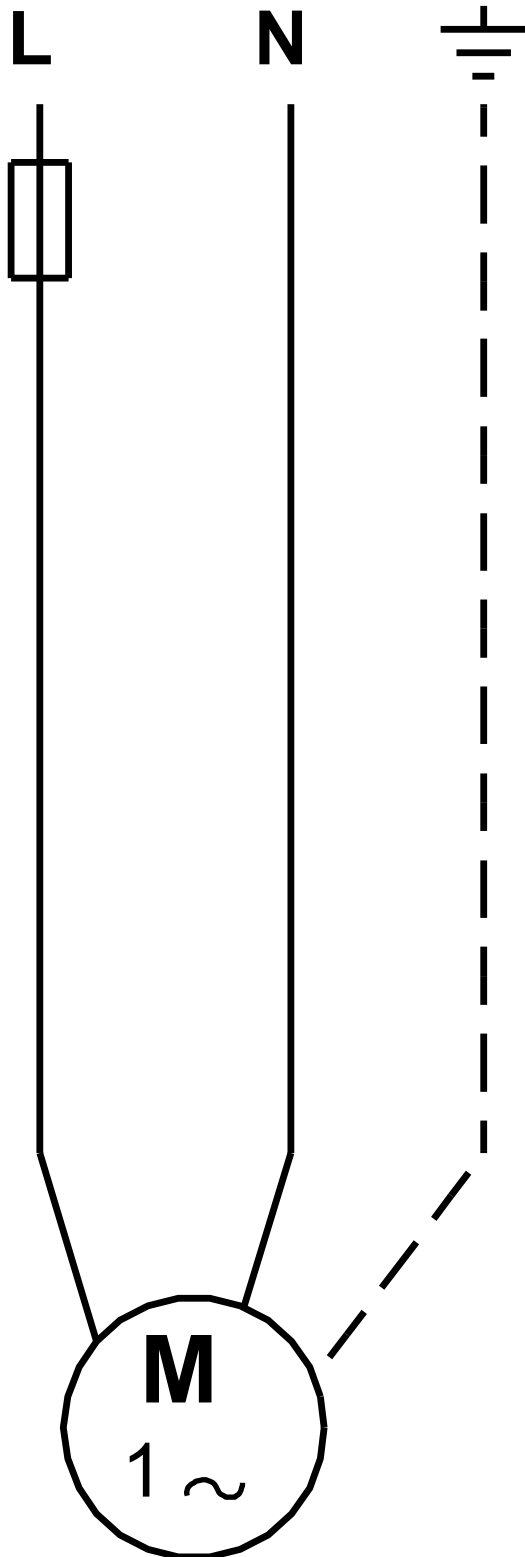


99490916 ALPHA2 26-99 F 60 Hz



Note! All units are in [in] unless others are stated.
Disclaimer: This simplified dimensional drawing does not show all details.

99490916 ALPHA2 26-99 F 60 Hz



Note! All units are in [in] unless others are stated.

