



5050 Control and Alarm System Installation Instructions

This 5050 alternating pump control and alarm system provides a pre-wired control panel for an indoor duplex pump application. The 5050 employs two receptacles to accept two 120 VAC pump plugs.

In normal operation pumps will alternate based on the pump switch level. If an alarm condition occurs (top float activates), the alarm light and horn turn on. The pump in use will turn off and the other pump will turn on. Pumping will continue until the pump switch deactivates (bottom float).

5050 FEATURES

- NEMA 1 rated for indoor use.
- Alternating pump action equalizes pump wear.
- Factory-installed 10ft power cord.
- Factory-installed pump activation and alarm activation switches for easy installations. (Various switch configurations available).
- Green power on indicator.
- Green pump run indicators (pump 1 & pump 2).
- Audible and visual high water alarm.
- Normal/silence alarm switch mounted externally for easy operation.
- Entire system is UL and cUL Listed to meet and/or exceed industry safety standards.
- Three-year limited warranty.

PREVENTATIVE MAINTENANCE

- Periodically inspect the product. Check that the cable has not become worn or that the housing has not been damaged so as to impair the protection of the product. Replace the product immediately if any damage is found or suspected.
- Periodically check to see that the floats are free to move and operate the pump and alarm.
- Use only SJE-Rhombus® replacement parts.

SJE-RHOMBUS® THREE-YEAR LIMITED WARRANTY

SJE-RHOMBUS® warrants to the original consumer that this product shall be free of manufacturing defects for three years after the date of consumer purchase. During that time period and subject to the conditions set forth below, SJE-RHOMBUS® will repair or replace, for the original consumer, any component which proves to be defective due to defective materials or workmanship of SJE-RHOMBUS®.

THIS WARRANTY DOES NOT APPLY: (A) to damage due to lightning or conditions beyond the control of SJE-RHOMBUS®; (B) to defects or malfunctions resulting from failure to properly install, operate or maintain the unit in accordance with printed instructions provided; (C) to failures resulting from abuse, misuse, accident, or negligence; (D) to units which are not installed in accordance with applicable local codes, ordinances, or accepted trade practices, and (E) to units repaired and/or modified without prior authorization from SJE-RHOMBUS®.

Some states do not allow limitations on how long an implied warranty lasts, so the above limitation may not apply to you. Some states do not allow the exclusion or limitation of incidental or consequential damages, so the above limitation or exclusion may not apply to you. This warranty gives you specific legal rights, and you may also have other rights which vary from state to state.

TO OBTAIN WARRANTY SERVICE: The consumer shall assume all responsibility and expense for removal, reinstallation, and freight. Any item to be repaired or replaced under this warranty must be returned to SJE-RHOMBUS®, or such place as designated by SJE-RHOMBUS®.

ANY IMPLIED WARRANTIES OF MERCHANTABILITY OR FITNESS ARE LIMITED TO THE DURATION OF THIS WRITTEN WARRANTY. SJE-RHOMBUS® SHALL NOT, IN ANY MANNER, BE LIABLE FOR ANY INCIDENTAL OR CONSEQUENTIAL DAMAGES AS A RESULT OF A BREACH OF THIS WRITTEN WARRANTY OR ANY IMPLIED WARRANTY.

⚠ WARNING**ELECTRICAL SHOCK HAZARD**

Disconnect power before installing or servicing this product. A qualified service person must install and service this product according to applicable electrical and plumbing codes.

**⚠ WARNING****EXPLOSION OR FIRE HAZARD**

Do not use this product with flammable liquids. Do not install in hazardous locations as defined by National Electrical Code, ANSI/NFPA 70.



Failure to follow these precautions could result in serious injury or death. Replace product immediately if switch cable becomes damaged or severed. Keep these instructions with warranty after installation. This product must be installed in accordance with National Electric Code, ANSI/NFPA 70 so as to prevent moisture from entering or accumulating within boxes, conduit bodies, fittings, float housing, or cable.

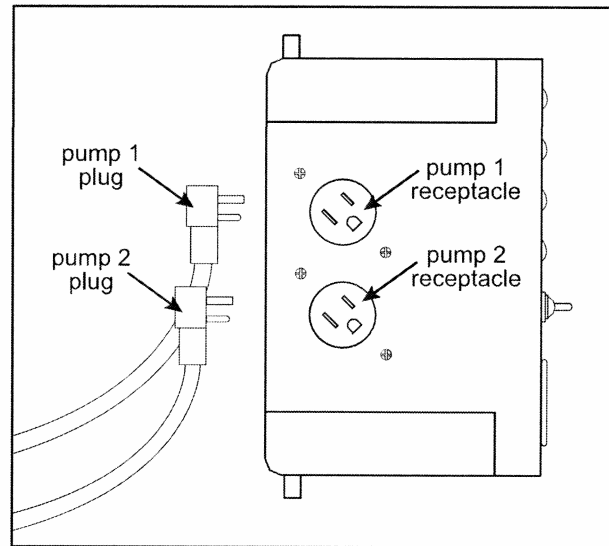
For detailed specifications on this product, or for the complete line of SJE-Rhombus® panel, alarm, and switch products, visit our web-site at www.sjehombus.com.

INSTALLING THE 5050 ALARM

NEMA 1 enclosures are for indoor use only, primarily to provide a degree of protection against contact with enclosed equipment. The 5050 alarm is designed to operate with two floats. These floats operate pump stop/start and high level alarm functions.

1. Determine mounting location for the 5050 alarm .
2. Plug the pump plugs into the receptacles as shown in Figure A.
3. Plug in power cord.
4. Check the installation by manually tipping the pump float and then the alarm float.
5. Test the unit periodically to insure proper operation.

Note: After any alarm condition is cleared, the Normal/Silence switch must be manually placed in "Normal" position.

Figure A**INSTALLING THE 5050W**

1. Determine the required cord tether length according to chart below and as shown in Figure B.

tether length (inches)	3.5 min.	6	9	12	15	18	22
pumping range (inches)	8	11	15	21	28	31	36

2. Place the cord into the clamp as shown as shown in Figure C.
3. Locate clamp at desired activation level and secure the clamp to the discharge pipe as shown in Figure C.
Note: Do not install cord under hose clamp.
4. Tighten the hose clamp using screwdriver. Over tightening may result in damage to the plastic clamp. Make sure the float cable is not allowed to touch the excess hose clamp band during operation.
5. Check installation. Allow system to cycle to insure proper operation.

Note: All hose clamp components are made of 18-8 stainless steel material. See your SJE-Rhombus® supplier for replacements.

INSTALLING THE 5050V

Warning: Do not install switch in direct flow of incoming liquid.

1. Determine desired activation level and pumping range as shown in Figure D. Pumping range can be adjusted by moving the float stop up or down the rod.
2. Insert hose clamp through slots in mounting bracket as shown in Figure E.
3. Position hose clamp around discharge pipe with bracket gripping tabs against pipe as shown in Figure E and F. Cable should remain outside of hose clamp.
4. Tighten the hose clamp securely.
5. Secure pump cable and switch cable to discharge pipe as shown in Figure D with wire ties (not supplied).
6. Check the installation. Verify that the float is free to move and activate the switch. Allow system to cycle to ensure proper operation.

Note: All hose clamp components are made of 18-8 stainless steel material. See your SJE-Rhombus® supplier for replacements.

Figure B

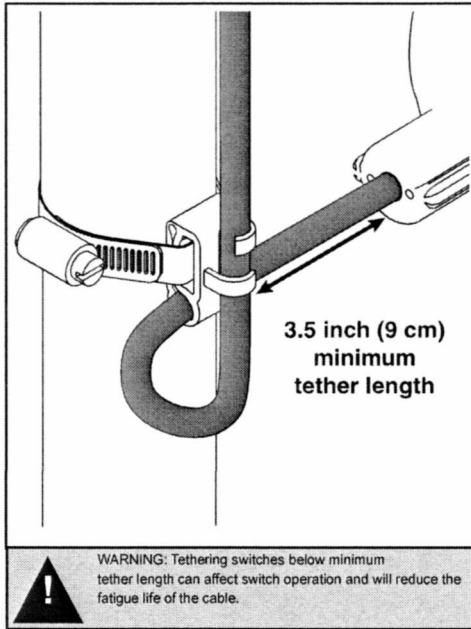


Figure C

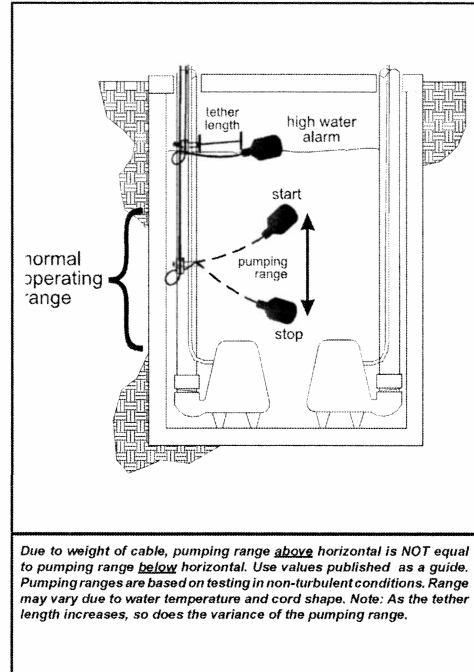


Figure D

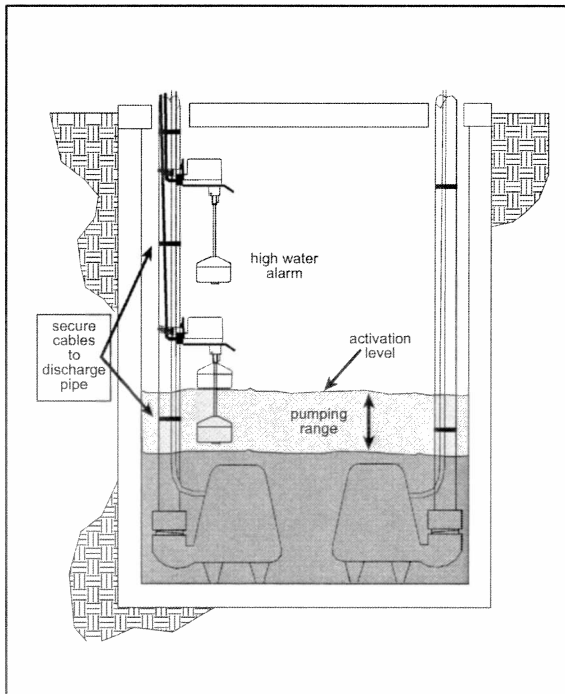


Figure E

