

212PXCELf Lead Free Cold Expansion Pex Frost-Proof Sillcock

Specification Sheet

FEATURES & BENEFITS

- Lead Free Frost-Proof Sillcock-Anti-Siphon
- Pressure Rating 125 PSI Non-shock
- Temperature Rating 180°F
- 1/2" Pex F1960 x 3/4" MHT x Hose
- ASSE 1019, ASTM F1960, CSA, NSF61, & UPC Approved
- 4" – 14" Length

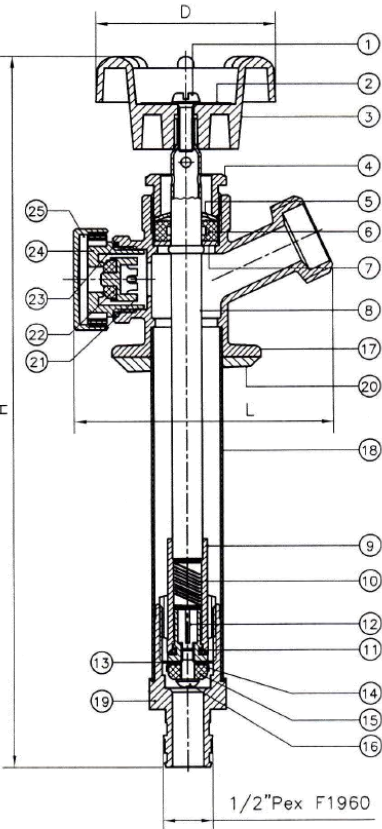
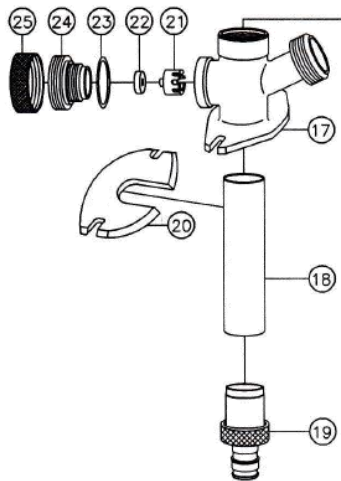
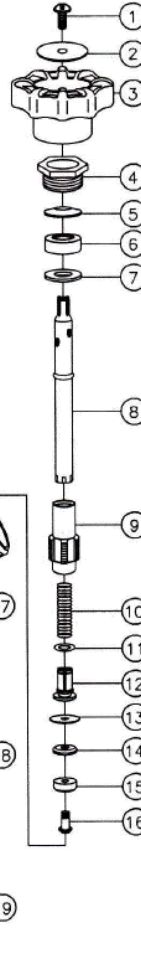
DIMENSIONS

Part #	Size	D	H	L
212004PXCELf	4"	2.21	8.65	3.07
212006PXCELf	6"	2.21	10.66	3.07
212008PXCELf	8"	2.21	12.67	3.07
212010PXCELf	10"	2.21	14.68	3.07
212012PXCELf	12"	2.21	16.73	3.07
212014PXCELf	14"	2.21	18.73	3.07



MATERIAL SPECIFICATIONS

No.	Part	Material
1	Bolt	Forged Brass C26000
2	Name Plate	Aluminum A1100
3	Handle	Zinc (Z30A)
4	Bonnet	Brass Rod C37700
5	Washer	Stainless Steel 304
6	Packing	Rubber (NBR) SN-719F
7	Washer	Stainless Steel 304
8	Pipe	Brass (Copper Alloy Nos.27000)
9	Stem	Brass Rod C46400
10	Spring	Stainless Steel 304
11	O-Ring	Rubber (NBR) SN-719F
12	Spring Seat	Brass Rod C46400
13	Flapper	Rubber (NBR) SN-719F
14	Seat	Forged Brass C26000
15	Seat Packing	Rubber (NBR) SN-719F
16	Screw	Forged Brass C26000
17	Body	Cast Brass C46400 MOD
18	Pipe	Brass (Copper Alloy Nos.27000)
19	Nipple	Brass Rod C46400
20	Packing	POM M90 Formocon FM090 CF500P
21	Floating	POM M90 Formocon FM090 CF500P
22	Floating Packing	Rubber (NBR) SN-719F
23	O-Ring	Rubber (NBR) SN-719F
24	Packing	POM M90 Formocon FM090 CF500P
25	Cap	Brass Rod C37700



MATCO-NORCA

Global sourcing. National compliance. Local service.

www.matco-norca.com • mail@matco-norca.com