

PTRAP Tubular P-Trap • Spec Sheet



FEATURES & BENEFITS

- Chrome Plated
- Size 1-1/2" x 1-1/4"

PTRAP0706CP20CO

- 20 Gauge With Cleanout

PTRAP0706CP22

- 22 Gauge Less Cleanout

PTRAP0706CP17

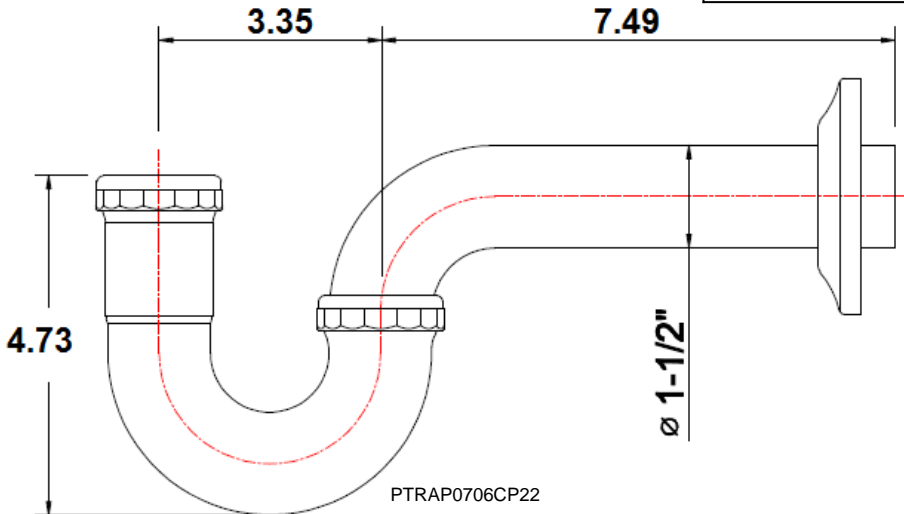
- 17 Gauge Less Cleanout

PTRAP0706CP17CO

- 17 Gauge With Cleanout

MATERIAL SPECIFICATIONS

Part	Material
Slip Nut, 1-1/2	Zinc Die Cast
Washer, 1-1/2x1-1/4	Plastic
Washer, 1-1/2	Rubber
J-Bend, 1-1/2	Brass
Wall Bend, 1-1/2	Brass
Flanges, 1-1/2	SS



Global sourcing. National compliance. Local service.

CALIFORNIA 5595 Fresca Dr., La Palma CA 90623
TEXAS 1150 Silber Rd., Houston TX 77055
ILLINOIS 278 Windy Point Dr., Glendale Heights, IL 60139
GEORGIA 113 Industrial Blvd., Americus, Georgia 31709
NEW YORK PO Box 27, Rt.22, Brewster NY 10509
 WEB: www.matco-norca.com

• Phone: 866-532-8306 • Fax: 866-532-8307
 • Phone: 800-935-5456 • Fax: 713-680-2999
 • Phone: 844-412-5068 • Fax: 800-640-2252
 • Phone: 800-433-7526 • Fax: 800-533-5134
 • Phone: 800-431-2082 • Fax: 845-278-9056
 EMAIL: mail@matco-norca.com