



# WIRING DIAGRAMS

gas-fired, power vented and separated combustion unit heaters  
for models HD/HDB, HDS/HDC, PTS/BTS, PTC



## WARNING

1. Fuel supply shall be shut-off and the electrical power disconnected before proceeding with the installation. Failure to do so could result in fire, explosion, electrical shock, or the unit starting suddenly resulting in injury.
2. All units must be wired strictly in accordance with wiring diagram furnished with the unit. Failure to wire this unit according to this wiring diagram could result in a hazard to persons and property. For deviations, contact the factory.
3. All wiring must be done with a wiring material having a temperature rating of at least 105°C.

## IMPORTANT

1. The use of this manual is specifically intended for a qualified installation and service agency. All installation and service of these kits must be performed by a qualified installation and service agency.
2. These instructions must also be used in conjunction with the Installation and Service manual originally shipped with the appliance being converted, in addition to any other accompanying component supplier literature which supersedes these instructions.

### Diagram Selection

Diagrams are provided for both single and three-phase circuits, and are readily identified in the selection table on page 2. The selection table enables easy selection of the correct wiring diagram after the electrical components of the unit heater have been determined.

**NOTE:** As indicated in every diagram, all wiring must comply with the National Electrical Code and all local codes. All components must agree with their respective power source.

### Abbreviations and Symbols

To facilitate interpretation and enable simplification the abbreviations and symbols have been selected as recommended by ANSI (American National Standards Institute) and NEMA (National Electrical Manufacturers Association) standards.

XFMR or TR	Transformer
H1, H2, etc.	Transformer Primary Terminals
X1, X2, etc.	Transformer Secondary Terminals
V	Volts
Hz	Hertz
∅	Phase
RC	Relay Contactor Coil
G	Ground
H	Hot
SW	Switch
HI	High
LO	Low
C	Common
"J" Box	Junction Box
S/W	Summer/Winter Switch
O.L.C.	Overload Contacts
SPDT	Single Pole Double Throw Switch
DPDT	Double Pole Double Throw Switch
VA	Volt-Ampere
L1, L2, L3	Load Terminals (Connect to Supply Voltage)
T1, T2, T3	Motor or Motor Starter Terminals
<b>Wire Color Coding</b>	
BK	Black
BR	Brown
BL	Blue
R	Red
W	White
GY	Gray
Y	Yellow

THIS MANUAL IS THE PROPERTY OF THE OWNER.  
PLEASE BE SURE TO LEAVE IT WITH THE OWNER WHEN YOU LEAVE THE JOB.

Modine Manufacturing Company has a continuous product improvement program, and therefore reserves the right to change design and specifications without notice.

# WIRING DIAGRAM SELECTION

Select the correct wiring diagram as follows:

1. Determine the 12 digit unit heater model number. Example: PTS350SS0122
2. Breakdown the model number into the following parts (using the above example):
  - a. Model: PTS
  - b. Size: 350
  - c. Power Code: 01
  - d. Control Code: 22
3. Review the model number breakdown against Table 2.1 to select the correct wiring diagram.  
For the example in Step 2 above, the correct wiring diagram is located on page 6.
4. Review Table 2.2 to determine if any additional wiring diagrams are necessary based on accessories included.

**Table 2.1 – Unit Heater Wiring Diagram Page Location Index**

Type	Model	Size	Power Code	Supply Voltage	Control Code	Gas Controls	Wiring Diagram	Page	
Propeller	HD/HDS	30-125	01 ①	115V/1ph	11 or 21	Single Stage	5H079963B1	3	
					12 or 22	Two Stage	5H079963B2	4	
	PTS	150-350	01 ①	115V/1ph	11 or 21	Single Stage	5H079963B1	3	
					12 or 22	Two Stage	5H079963B2	4	
		400	01 ①	115V/1ph	11 or 21	Single Stage	5H079963B3	5	
					12 or 22	Two Stage	5H079963B4	6	
	PTC	135-215	01 ①	115V/1ph	11 or 21	Single Stage	5H080716B1	11	
		260-310	01 ①	115V/1ph	11 or 21	Single Stage	5H080716B2	12	
Blower	HDB/HDC	60-125	01 ②	115V/1ph	11 or 21	Single Stage	5H079963B1	3	
					12 or 22	Two Stage	5H079963B2	4	
	BTS	150	01 ②	115V/1ph	11 or 21	Single Stage	5H079963B1	3	
					12 or 22	Two Stage	5H079963B2	4	
		150-400	02, 13, 24,35 ②	115/230V/1ph	11 or 21	Single Stage	5H080273B1	7	
					12 or 22	Two Stage	5H080273B2	8	
					208/230/460/575V/3ph	11 or 21	Single Stage	5H080274B1	9
						12 or 22	Two Stage	5H080274B2	10

① All propeller models (HD/HDS/PTS/PTC) are Power Code 01 for 115V/60Hz/1ph supply voltage only. To operate the unit on a supply voltage other than 115V/1ph, an accessory step down transformer is required. Refer to the latest revision of Literature #6-567 for instructions on properly wiring the unit heater and transformer.

② All blower models (HDB/HDC/BTS) that are operated with a supply voltage other than 115V/1ph, an accessory step down transformer is required. Refer to the latest revision of Literature #6-567 for instructions on properly wiring the unit heater and transformer.

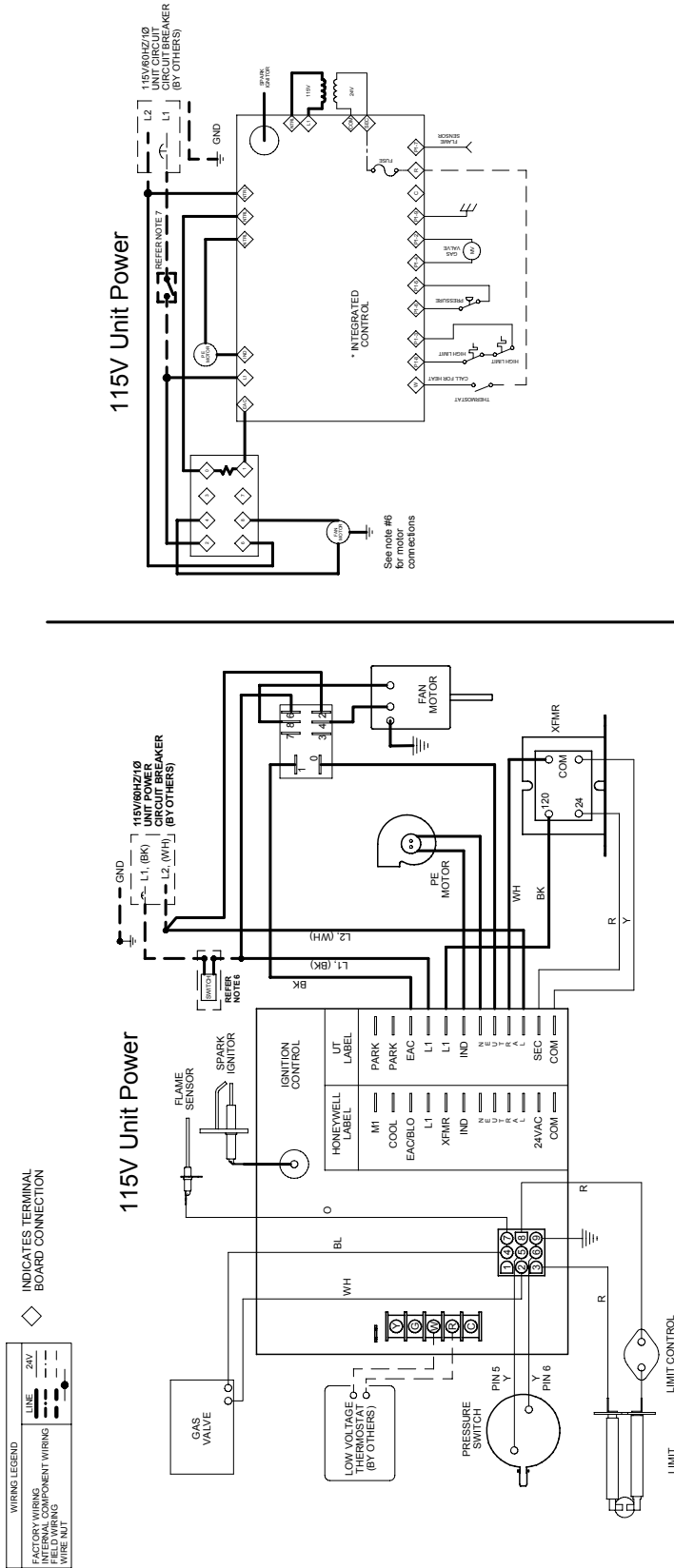
**Table 2.2 – Accessory Wiring Diagram Page Location Index**

Model	Accessory	Page
All	Thermostat <b>with</b> Fan On/Auto Subbase Switching	13
All	Thermostat <b>without</b> Fan On/Auto Subbase Switching <b>and</b> Summer/Winter Switch	13
All	Wiring Multiple Single Stage Unit Heaters to a Single Thermostat	14
PTC	Terminal Board Jumper Removal for Accessory Wiring	14





# WIRING DIAGRAMS – MODELS HD/HDB, HDS/HDC, PTS/BTS



**FOR BLOWER MOTORS,**  
 WH-NEUTRAL  
 BK-HI  
 BL-MED  
 RED-LO  
 ATTACH WIRES NOT USED TO "PARK" TERMINALS

- NOTES TO INSTALLER:**
1. ALL WIRING MUST COMPLY WITH NATIONAL ELECTRIC CODE AND ALL LOCAL CODES.
  2. ALL COMPONENTS MUST AGREE WITH THEIR RESPECTIVE POWER SOURCE.
  3. VERIFY THE POWER SOURCE AND THE UNIT POLARITY.
  4. USE TYPE 105°C REPLACEMENT WIRE 300V OR GREATER.
  5. USED ON PROPELLER MODELS 100 AND LARGER.
  6. OPTIONAL UNIT DISCONNECT SWITCH.

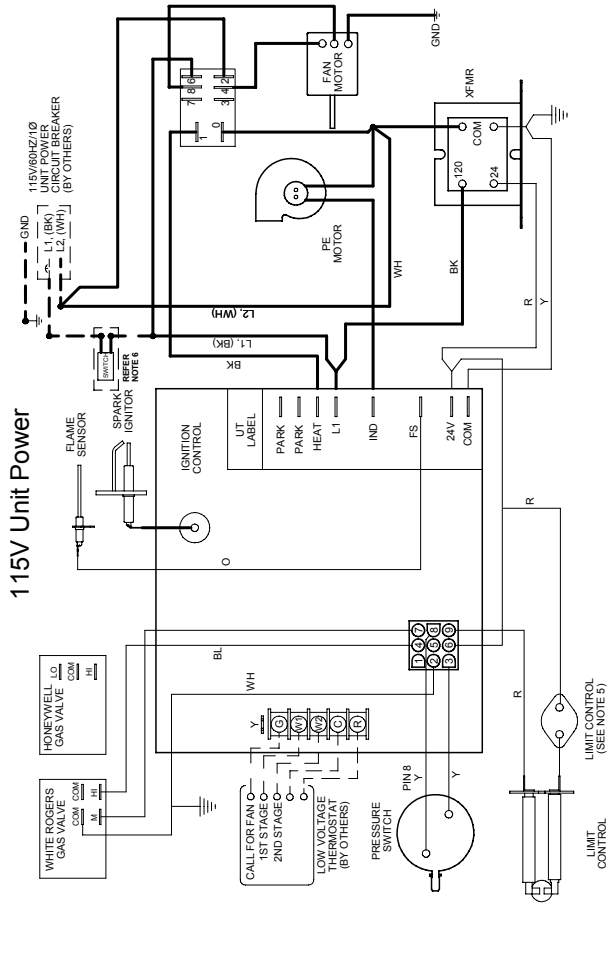
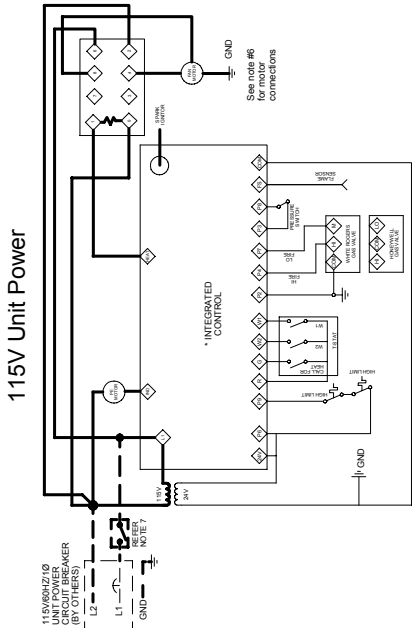
**CAUTION:**  
 FAILURE TO WIRE THIS UNIT ACCORDING TO THIS WIRING DIAGRAM MAY RESULT IN INJURY TO THE INSTALLER OR USER. FOR DEVIATIONS CONTACT THE FACTORY.

## 115V Unit Power

## 5H079963B3

WIRING DIAGRAM, SINGLE STAGE, RELAY

# WIRING DIAGRAMS – MODELS HD/HDB, HDS/HDC, PTS/BTS



TWO STAGE, DIRECT SPARK IGNITION.  
100% SHUT-OFF, MULTIPLE RETRY W/ AUTO RESET FROM LOCKOUT

NOTES TO INSTALLER:

1. ALL WIRING MUST COMPLY WITH NATIONAL ELECTRIC CODE AND ALL LOCAL CODES.
2. ALL COMPONENTS MUST AGREE WITH THEIR RESPECTIVE POWER SOURCE.
3. VERIFY THE POWER SOURCE AND THE UNIT POLARITY.
4. USE TYPE 105°C REPLACEMENT WIRE 300V OR GREATER.
5. USED ON PROPELLER MODELS 100 AND LARGER.
6. OPTIONAL UNIT DISCONNECT SWITCH.

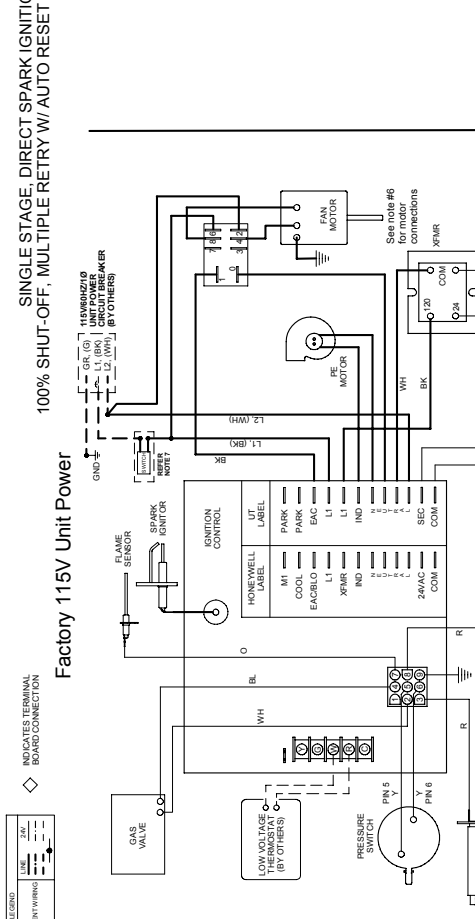
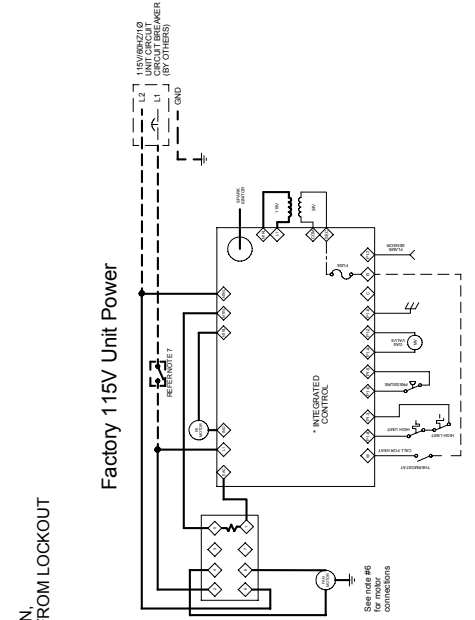
CAUTION:  
FAILURE TO WIRE THIS UNIT ACCORDING TO THIS WIRING DIAGRAM MAY RESULT IN INJURY TO THE INSTALLER OR USER. FOR DEVIATIONS CONTACT THE FACTORY.

5H079963B4

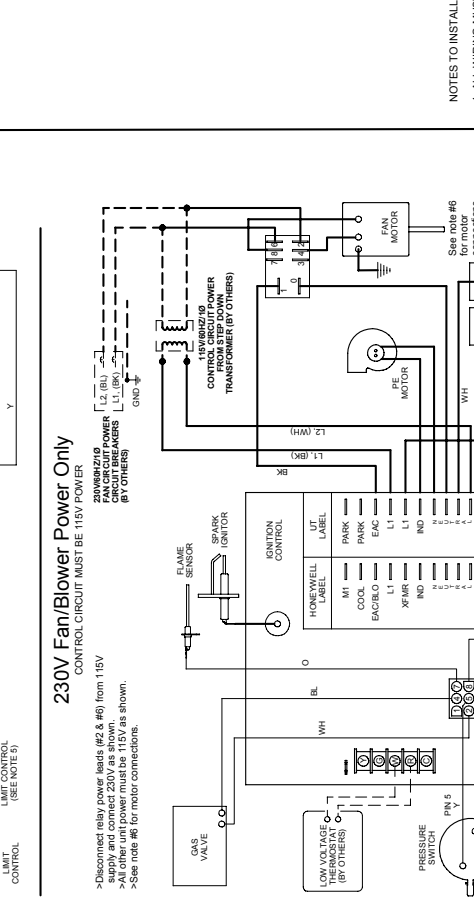
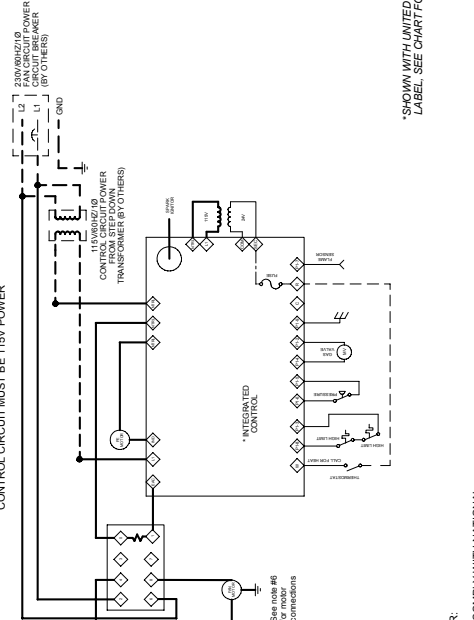
WIRING DIAGRAM, TWO STAGE, RELAY

# WIRING DIAGRAMS – MODELS HD/HDB, HDS/HDC, PTS/BTS

SINGLE STAGE DIRECT SPARK IGNITION,  
100% SHUT-OFF, MULTIPLE RETRY W/ AUTO RESET FROM LOCKOUT



WIRING LEGEND  
 FACTORY WIRING  
 REPAIRABLE COMPONENT WIRING  
 USER SUPPLY



WIRING LEGEND  
 FACTORY WIRING  
 REPAIRABLE COMPONENT WIRING  
 USER SUPPLY

5H080273B1

WIRING DIAGRAM, SINGLE STAGE, RELAY

\*SHOWN WITH UNITED TECHNOLOGIES LABEL. SEE CHART FOR OTHER LABELS

NOTES TO INSTALLER:

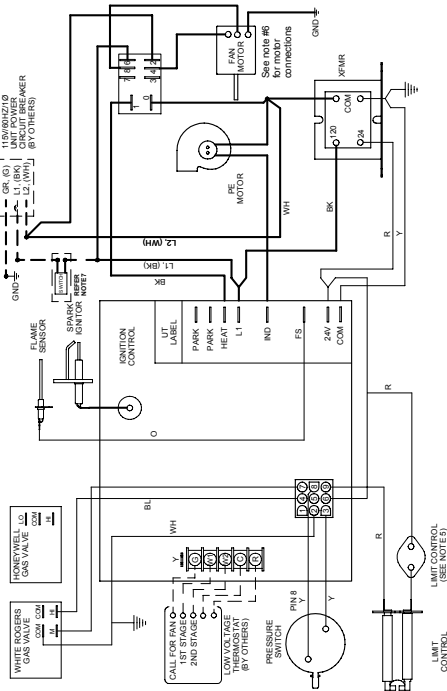
1. ALL WIRING MUST COMPLY WITH NATIONAL ELECTRIC CODE AND ALL LOCAL CODES.
2. ALL COMPONENTS MUST AGREE WITH THEIR RESPECTIVE POWER SOURCE.
3. VERIFY THE POWER SOURCE AND THE UNIT POLARITY.
4. USE TYPE 105°C REPLACEMENT WIRE 300V OR GREATER.
5. USED ON PROPELLER MODELS 100 AND LARGER.
6. UNIT IS SHIPPED WIRED FOR 115V. WHEN WIRING FOR 230V, FOLLOW THIS DIAGRAM AND MOTOR WIRE LABELS FOR 230V.
7. OPTIONAL UNIT DISCONNECT SWITCH USED ON 115V UNITS ONLY.

CAUTION:  
 FAILURE TO WIRE THIS UNIT ACCORDING TO THIS WIRING DIAGRAM MAY RESULT IN DAMAGE TO THE UNIT. CONTACT THE FACTORY FOR DEVIATIONS CONTACT THE FACTORY.

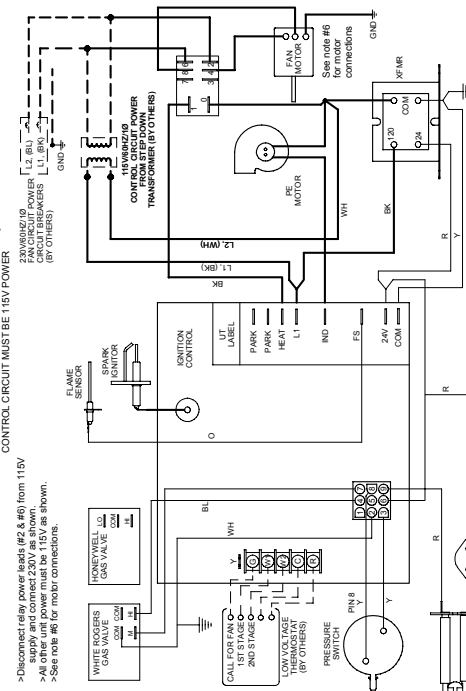
# WIRING DIAGRAMS – MODELS HD/HDB, HDS/HDC, PTS/BTS

TWO STAGE, DIRECT SPARK IGNITION,  
100% SHUT-OFF, MULTIPLE RETRY W/ AUTO RESET FROM LOCKOUT

## Factory 115V Unit Power

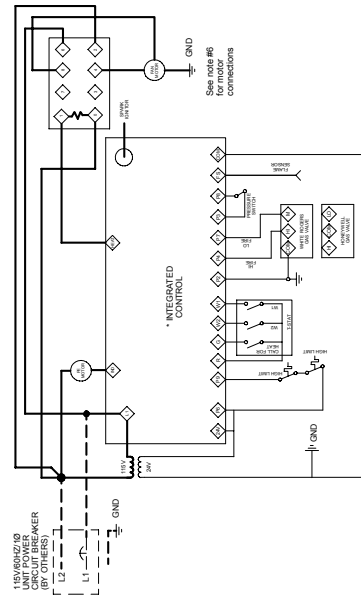


## 230V Fan/Blower Power Only

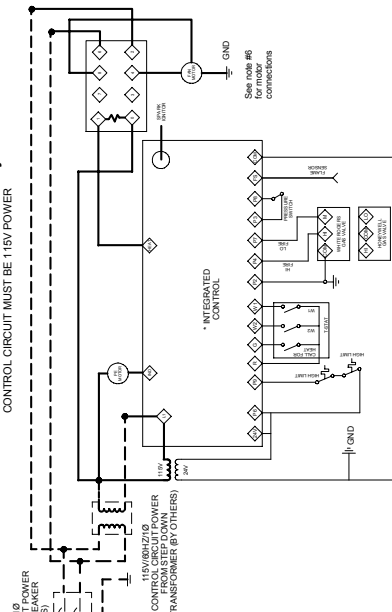


CAUTION:  
DO NOT WIRE THIS UNIT ACCORDING  
TO THIS WIRING DIAGRAM MAY RESULT  
IN INJURY TO THE INSTALLER OR USER.  
FOR DEVIATIONS CONTACT THE FACTORY.

## Factory 115V Unit Power



## 230V Fan/Blower Power Only



NOTES TO INSTALLER:

1. ALL WIRING MUST COMPLY WITH NATIONAL ELECTRIC CODE AND ALL LOCAL CODES.
2. ALL COMPONENTS MUST AGREE WITH THEIR RESPECTIVE POWER SOURCE.
3. VERIFY THE POWER SOURCE AND THE UNIT POLARITY.
4. USE TYPE 105°C REPLACEMENT WIRE 300V OR GREATER.
5. USED ON PROPELLER MODELS 100 AND LARGER.
6. UNIT IS SHIPPED WIRED FOR 115V. WHEN WIRING FOR 230V FOLLOW THIS DIAGRAM AND MOTOR WIRE LABELS FOR 230V.
7. OPTIONAL UNIT DISCONNECT SWITCH USED ON 115V UNIT'S ONLY.

\*SHOWN WITH UNITED TECHNOLOGIES LABEL. SEE CHART FOR OTHER LABELS

5H080273B2

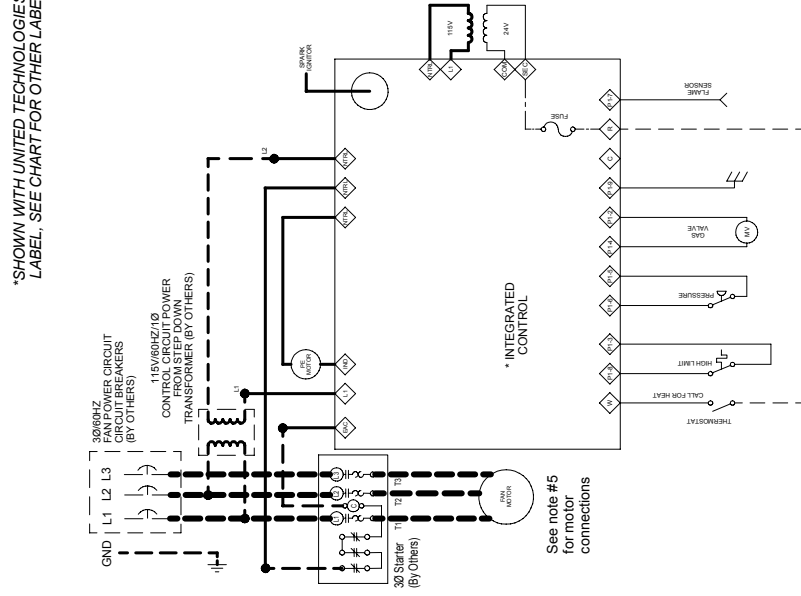
WIRING DIAGRAM, TWO STAGE, RELAY

WIRING LEGEND	LINE	24V
WHITE ROGERS GAS VALVE	---	---
WHITE ROGERS SPARK IGNITOR	---	---
WHITE ROGERS PRESSURE SWITCH	---	---
WHITE ROGERS LOW VOLTAGE	---	---
WHITE ROGERS 2ND STAGE	---	---
WHITE ROGERS 1ST STAGE	---	---
WHITE ROGERS CALL FOR FAN	---	---
WHITE ROGERS UT LABEL	---	---
WHITE ROGERS PARK	---	---
WHITE ROGERS HEAT	---	---
WHITE ROGERS L1	---	---
WHITE ROGERS L2	---	---
WHITE ROGERS IND	---	---
WHITE ROGERS FS	---	---
WHITE ROGERS 24V	---	---
WHITE ROGERS COM	---	---
WHITE ROGERS PN 8	---	---
WHITE ROGERS R	---	---
WHITE ROGERS Y	---	---
WHITE ROGERS BK	---	---
WHITE ROGERS C30	---	---
WHITE ROGERS C24	---	---
WHITE ROGERS XFR	---	---
WHITE ROGERS GND	---	---



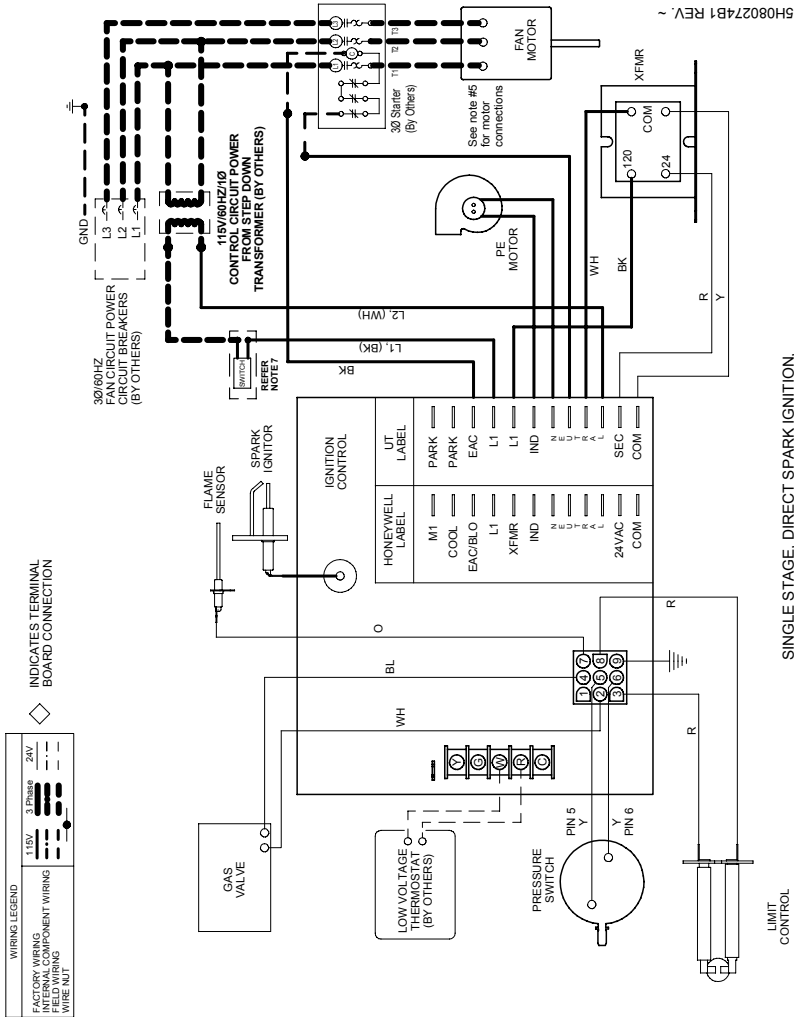
# WIRING DIAGRAMS – MODELS HD/HDB, HDS/HDC, PTS/BTS

\*SHOWN WITH UNITED TECHNOLOGIES LABEL. SEE CHART FOR OTHER LABELS



5H080274B1

WIRING DIAGRAM, SINGLE STAGE, 3 Ø



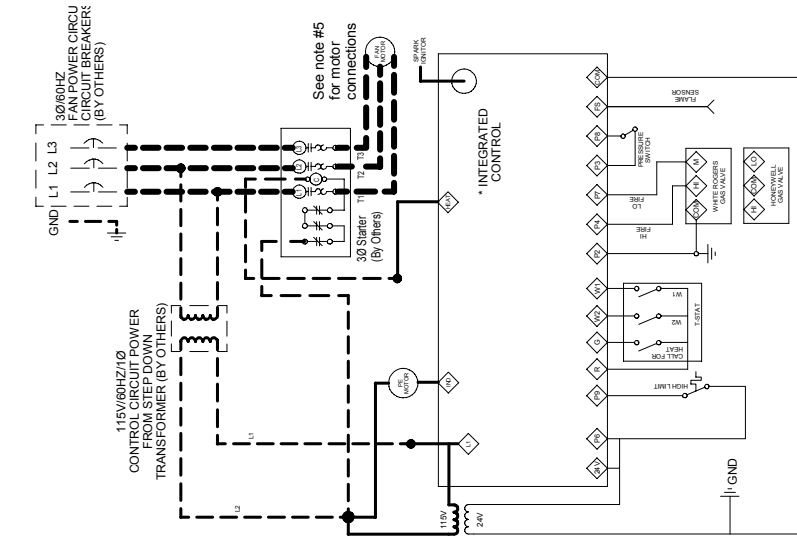
SINGLE STAGE, DIRECT SPARK IGNITION,  
100% SHUT-OFF, MULTIPLE RETRY W/ AUTO RESET FROM LOCKOUT

NOTES TO INSTALLER:

1. ALL WIRING MUST COMPLY WITH NATIONAL ELECTRIC CODE AND ALL LOCAL CODES.
2. ALL COMPONENTS MUST AGREE WITH THEIR RESPECTIVE POWER SOURCE.
3. VERIFY THE POWER SOURCE AND THE UNIT POLARITY.
4. USE TYPE 105°C REPLACEMENT WIRE 300V OR GREATER.
5. MAKE MOTOR CONNECTIONS PER THE MOTOR WIRE DIAGRAM.
6. NA
7. OPTIONAL UNIT DISCONNECT SWITCH.

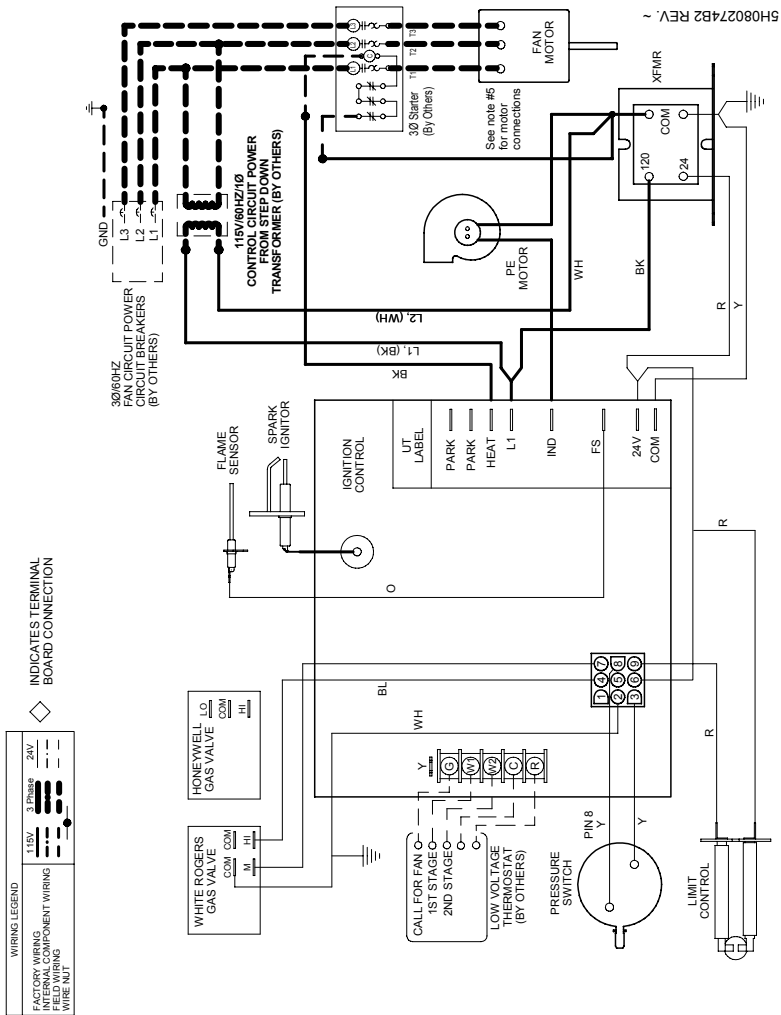
CAUTION:  
FAILURE TO WIRE THIS UNIT ACCORDING TO THIS WIRING DIAGRAM MAY RESULT IN INJURY TO THE INSTALLER OR USER. FOR DEVIATIONS CONTACT THE FACTORY.

# WIRING DIAGRAMS – MODELS HD/HDB, HDS/HDC, PTS/BTS



5H080274B2

WIRING DIAGRAM, TWO STAGE, 3 Ø



TWO STAGE, DIRECT SPARK IGNITION.  
100% SHUT-OFF, MULTIPLE RETRY W/ AUTO RESET FROM LOCKOUT

**NOTES TO INSTALLER:**

1. ALL WIRING MUST COMPLY WITH NATIONAL ELECTRIC CODE AND ALL LOCAL CODES.
2. ALL COMPONENTS MUST AGREE WITH THEIR RESPECTIVE POWER SOURCE.
3. VERIFY THE POWER SOURCE AND THE UNIT POLARITY.
4. USE TYPE 105°C REPLACEMENT WIRE 300V OR GREATER.
5. MAKE MOTOR CONNECTIONS PER THE MOTOR WIRE DIAGRAM.

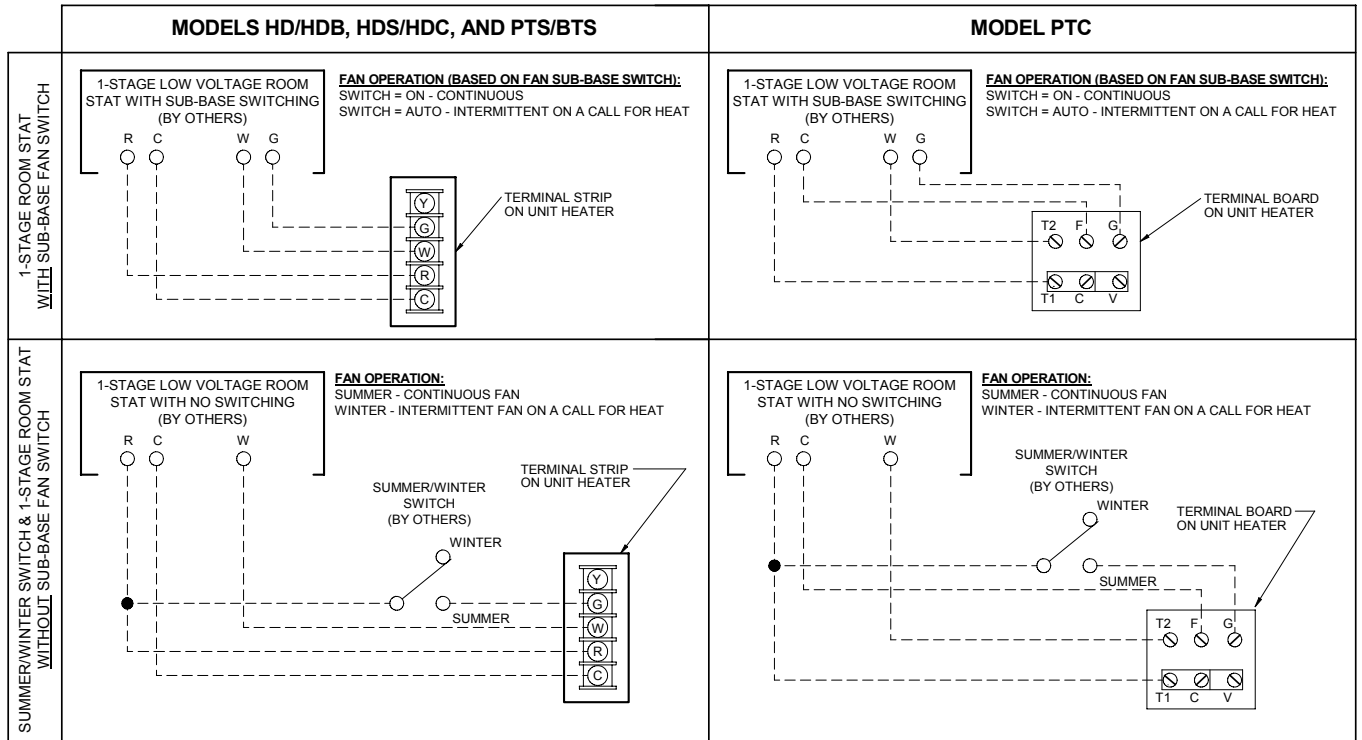
**CAUTION:**  
FAILURE TO WIRE THIS UNIT ACCORDING TO THIS WIRING DIAGRAM MAY RESULT IN INJURY TO THE INSTALLER OR USER. FOR DEVIATIONS CONTACT THE FACTORY.



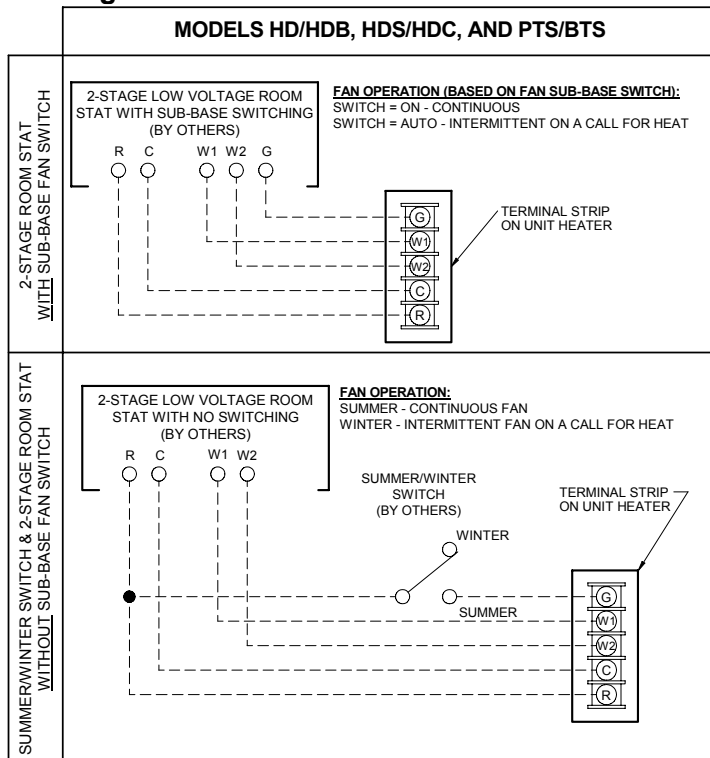


# WIRING DIAGRAMS – THERMOSTAT & SUMMER/WINTER SWITCH

## Single Stage Thermostat & Summer/Winter Switch Wiring



## Two Stage Thermostat & Summer/Winter Switch Wiring



NOTE:  
 GENERIC ROOM STAT TERMINALS SHOWN. ACTUAL STAT MAY USE DIFFERENT TERMINALS AND/OR WIRING. PLEASE CONSULT WIRING INSTRUCTIONS FOR STAT FOR PROPER WIRING.

### Notes on Thermostat and Summer/Winter Switch Wiring:

Units are equipped as standard with a controller that activates the unit fan in either of the following ways:

- On a call for heat (thermostat closure between R & W terminals (W1 for 2-stage units) on the unit heater terminal strip (T1 & T2 on the external terminal board for model PTC units). The control automatically recognizes a call for heat as requiring fan operation.
- With switch closure between R & G terminals on the unit heater terminal strip (T1 & G on the external terminal board for model PTC units). The control recognizes this as an override to the fan control based on a call for heat and starts the fan.

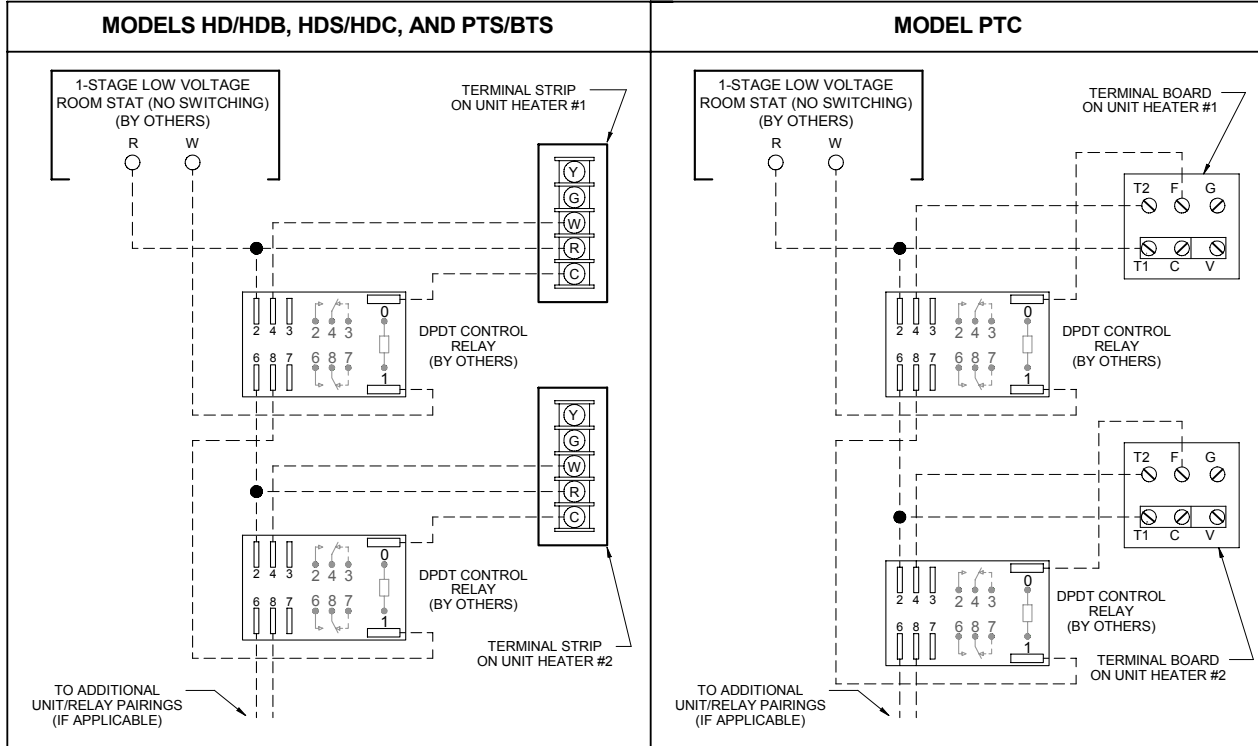
The diagrams on this page are arranged as follows:

1. Single stage thermostat with a Fan On/Auto switch for fan control.
2. Single stage thermostat without a Fan On/Auto switch and a Summer/Winter switch for fan control.
3. Two stage thermostat with a Fan On/Auto switch for fan control.
4. Two stage thermostat without a Fan On/Auto switch and a Summer/Winter switch for fan control.

**Note:** A Summer/Winter switch used on these models does NOT require a control relay as was required on previous models.

# WIRING DIAGRAMS – ACCESSORIES

## Wiring Multiple Single Stage Units to a Single Thermostat

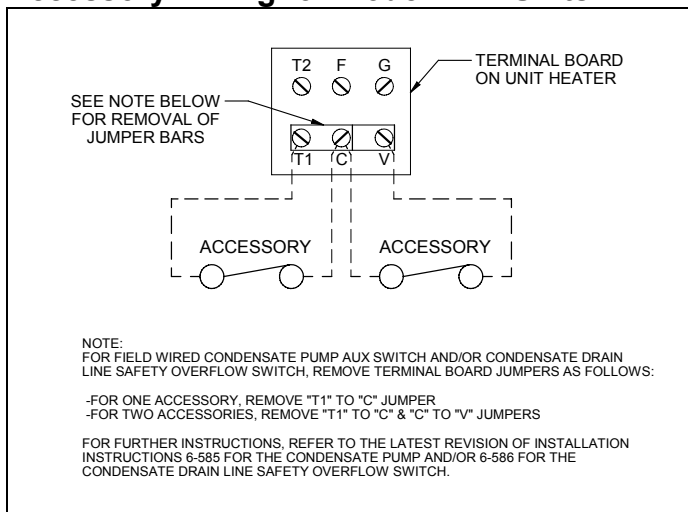


### Notes on Wiring Multiple Single Stage Units to a Single Thermostat

When two or more unit heaters are controlled by one thermostat, it is necessary to electrically isolate each unit by using relays. If relays are not used, feedback in the low voltage circuits can occur. This feedback may cause operational problems, damage the electrical components in the low voltage circuit, or cause burnout of the low voltage transformers.

The figure above shows that the thermostat, powered from the terminal strip of unit heater #1 (UH-1), energizes the relay coil of the first relay (RE-1). When the RE-1 coil is energized, the first set of normally open (NO) contacts of that DPDT relay close and activate the gas controls of UH-1. The second set of normally open (NO) contacts on RE-1 are used to energize the relay coil of the second relay RE-2, powered through the terminal strip of UH-2. The first set of NO contacts on RE-2 close and activate the gas controls of UH-2. If a third unit is to be controlled from the same thermostat, a third relay RE-3 coil is wired to the second set of contacts on RE-2. This procedure is repeated for each additional unit which is to be controlled by the thermostat. Generally, there should be a quantity of DPDT relays that is one less than the quantity of heaters to be controlled.

### Accessory Wiring for Model PTC Units



**THIS PAGE INTENTIONALLY LEFT BLANK**

