

OVERHEAD BRACKETING SYSTEM

523-3MS SERIES

Heavy Duty PowerBar™ Mini Strut

SPECIFICATION

Sioux Chief 523-3MS series Heavy Duty PowerBar™ Mini Strut shall be used where necessary for hanging pipes overhead from 3/8" threaded rod. Bracket shall be corrosion resistant. Bracket shall be used with Sioux Chief adjustable Touchdown clamps or TD+™ universal clamps for fastening any tube, pipe or conduit up to 2" maximum O.D. System shall be approved for use with insulated or non-insulated copper, CPVC, PEX/PB, steel pipe, plastic or steel conduit. System shall be UV resistant. Bracket and clamps shall be CPVC compatible. System shall be IAPMO certified.

INSTALLATION

Once adjustable clamps are installed in bracket channel, install onto 3/8" all-thread rod and suspend bracket, using approved 3/8" hex nuts and washers (not provided). When specified, use hardware above and below bracket channel. Bracket can also be secured to a wall or ceiling with approved hardware (not-included) and used as a tube or pipe organizer. Slide adjustable clamps to desired position within bracket channel. Place conduit between clamp posts and engage clamp bridge. Ratchet bridge of channel clamp down over both posts evenly. Bow the bridge to prevent lateral movement of clamp. Install optional Sioux Chief TD+™ universal clamps or accepted two-hole pipe strap directly to bracket using #6 - #10 screws. Optional SaddleUp™ clamp from Sioux Chief with stainless steel worm gear band to secure pipes larger than 2" diameter is acceptable.

MATERIALS

Bracket: 16 gauge galvanized steel
Channel clamp and bridge: Nylon 66, UL94 V2
Clamp insert: TPE

LOAD RATINGS

*BRACKET:

Short bracket: 250-lbs.
Long bracket: 100-lbs.

CHANNEL CLAMP:

Temp	Safe Load*
-10°F " – 130°F	70 lbs
131°F " – 179°F	38 lbs
180°F " – 220°F	12 lbs

*Safe working load = 1/2 failure of centrally hung load

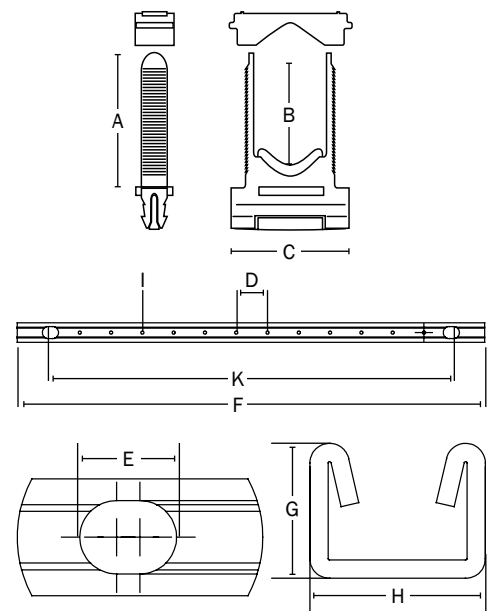
DIMENSIONS

	TouchDown Clamp	Short Bracket	Long Bracket
A: channel clamp post	1 7/8"	—	—
B: clamping range	1/4" – 1 1/8"	—	—
C: channel clamp base	1 7/8"	—	—
D: pilot hole spacing (centerline)	—	1.0"	1.0"
E: all-thread hole diameter	—	0.515"	0.515"
F: bracket length	—	15.00"	26.00"
G: bracket height	—	0.456"	0.456"
H: bracket width	—	0.675"	0.675"
I: bracket pilot hole diameter	—	0.100"	0.100"
J: bracket thickness	—	16-ga.	16-ga.

ITEM # SUBMITTED	_____
JOB NAME	_____
LOCATION	_____
ENGINEER	_____
CONTRACTOR	_____
PO#	_____ TAG _____



523-3MSS2



Made in USA

Create Item Number

523-3MSAB

e.g. 523-3MSS2: steel bracket with two channel clamps

BRACKET CONFIGURATION A

L = (26") long bracket

S = (15") short bracket

NUMBER OF CLAMPS B

_ = bracket only, no channel clamps

2 = bracket, two channel clamps*

3 = bracket, three channel clamps*

*Not available for 26" bracket