

SEDIMENT SCREEN

832 series

SPECIFICATION

Sioux Chief 832 series stainless steel sediment screen shall be used where necessary in drainage systems. Screen shall be constructed with 300 series stainless steel interwoven 0.026" (23 gauge) diameter wire mesh with a 0.188" (6 gauge) diameter ring-frame. Screen shall install in waterway of drain head and prevent debris from entering the drainage system. Screen shall be removable for cleaning and maintenance.

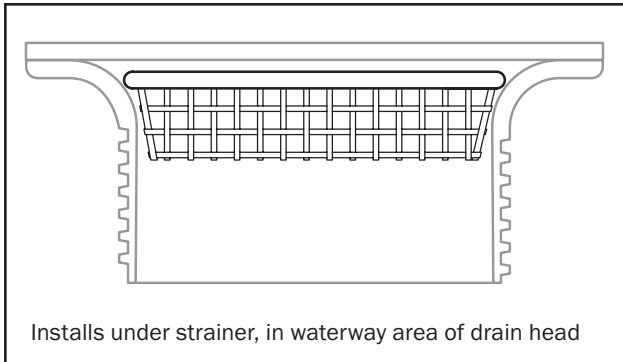
MATERIALS

300 Series stainless steel

DIMENSIONS

A: Diameter	4 5/16"
B: Height	1"
C: Opening	0.150" average
D: Ring-Frame Dia.	6 gauge (0.188")
E: Mesh Dia.	23 gauge (0.026")

INSTALLATION



Item # Submitted: 832-UM

Job Name: _____

Location: _____

Engineer: _____

Contractor: _____

PO #: _____ TAG: _____

