

**CK Trend Surface-Mounted Electric Fan Heaters**

**Engineer/Architect:** \_\_\_\_\_ **Date:** \_\_\_\_\_

**Job Name/Customer:** \_\_\_\_\_ **Phone:** \_\_\_\_\_

**Location:** \_\_\_\_\_ **Date Required:** \_\_\_\_\_

**Contractor:** \_\_\_\_\_ **Phone:** \_\_\_\_\_

	Item No.	Quantity	kW	Voltage
<b>CK Trend model</b>	_____	_____	_____	_____

**Description**

Stiebel Eltron CK Trend wall-mounted electric heaters are designed for installation where quick heat is needed. They have an ultra-quiet fan and will replace existing recess-mount heaters. A built-in thermostat has a frost protection setting.

**Specifications**

Model	Item number	CK 150-1 Trend	236304	CK 200-2 Trend	236305
Phase		single		single	single
Voltage		120 V		240 V or	208 V
Wattage		1500 W		2000 W	1800 W
Amperage		12.5 A		8.3 A	8.7 A
Rated output		5122 Btu/hr		6824 Btu/hr	6142 Btu/hr
Air volume		70.6 CFM		70.6 CFM	70.6 CFM
Recomm. circuit breaker size		15 A		15 A	15 A
Minimum wire size		14 AWG		14 AWG	14 AWG
Heating element		ceramic positive temperature coefficient (PTC)			
Thermostat		bimetal type			
High limit		bimetal type			
Motor		20 W shaded pole			
Blower		glass-reinforced polycarbonate, radial type			
Dimensions		HEIGHT 15 <sup>3</sup> / <sub>4</sub> " / 400 mm X WIDTH 10 <sup>7</sup> / <sub>8</sub> " / 275 mm X DEPTH 6 <sup>3</sup> / <sub>8</sub> " / 131 mm			
Weight		5.5 lb / 2.5 kg			
Housing		ABS plastic			
Color		Alpine White with gray grill			
Temperature range		45 - 95° F / 7 - 35° C			
Frost protection setting		45° F / 7° C			
Operating noise		49 dB(a)			



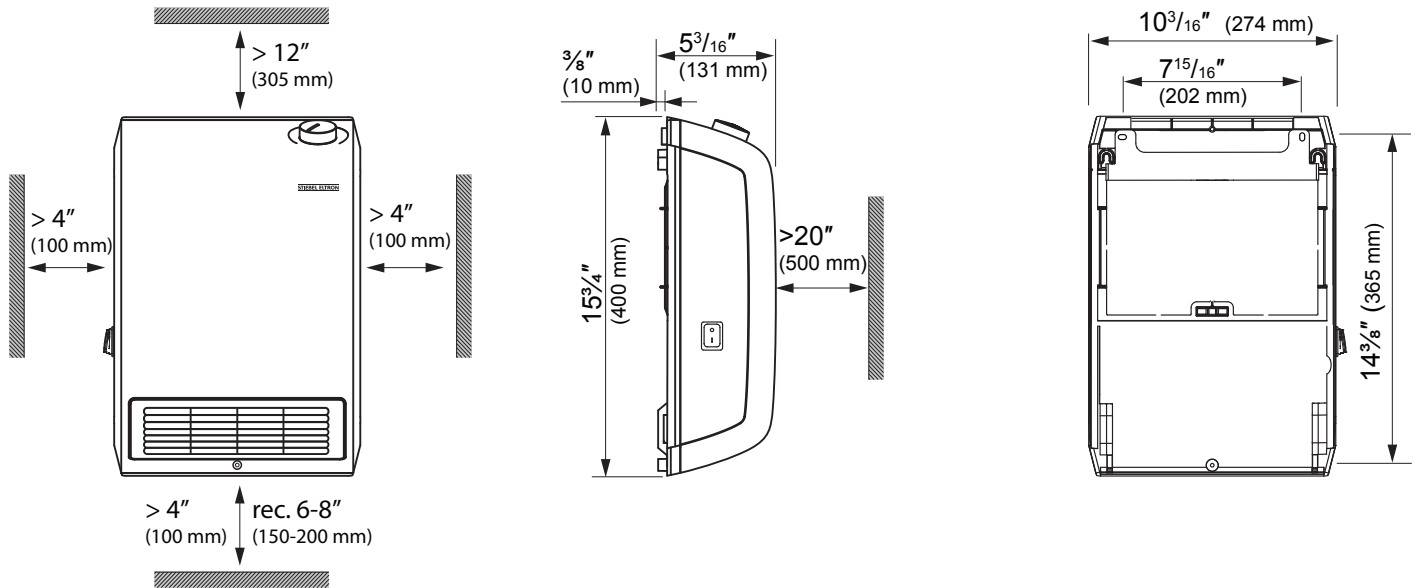
**Intertek**

Certified to  
ANSI/UL Std. 2021  
Conforms to  
CAN/CSA  
Std. 22.2 No. 46

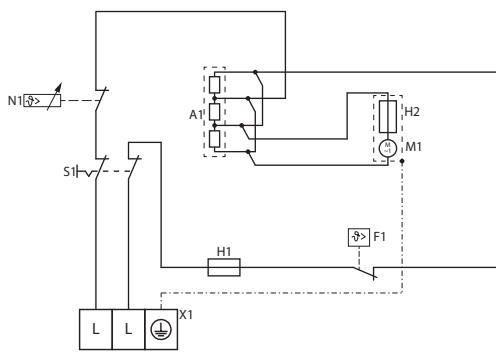
**ISO 9001  
CERTIFIED**

rev. 3.2019 Due to our continuous process of engineering and technological advancement, specifications may change without notice.

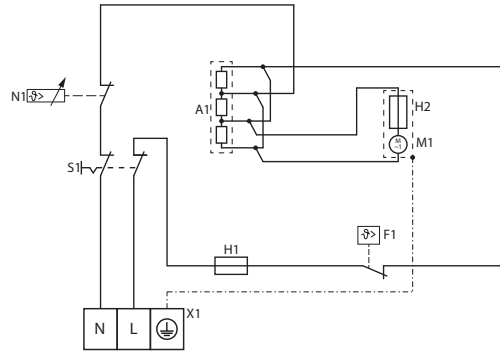
## Dimensions & clearances



Wiring diagram CK 200-2 Trend | 240 Vac



Wiring diagram CK 150-1 Trend | 120 Vac



- A1 Heating element assembly
- F1 High temperature limiter
- H1 Fusible link
- H2 Fusible link
- M1 Fan motor
- N1 Thermostat
- S1 On/off switch
- X1 Terminal block

## Warranty

**Residential & commercial warranty:** Stiebel Eltron warrants to the original owner that the CK Trend wall mounted electric fan heater will be free from defects in workmanship and materials for a period of three (3) years from the date of purchase. Should the part(s) prove to be defective under normal use during this period, Stiebel Eltron, Inc. will be responsible for replacement of the defective part(s) only. Stiebel Eltron, Inc. is not responsible for labor charges to remove and/or replace the defective part(s), or any incidental or consequential expenses. Should the owner wish to return the heater for repair, the owner must first secure written authorization from Stiebel Eltron, Inc. The owner shall be required to show proof of purchase date, and to pay all transportation costs to return the defective part(s) or heater for repair or replacement. Warranty is void if heater has been installed or used improperly or if design has been altered in any way.