

Control Panel and Wiring

1. Press the tabs on the side of the control panel and pull apart to separate the front panel from the back panel.
2. Using the hardware provided mount the back of the control panel in a location close enough to the water heater so that the both the actuator and sensor wiring can be connected to the control panel.
3. If using batteries install into the battery holder. Be sure to insert each battery in the correct orientation as indicated in the battery holder. If electrical power is being used the power cord may also be connected. LeakBreaker can be powered by batteries, power supply or both.
4. Assemble the front on the control panel to the back of the panel.
5. With screws on the sensor quick connect facing toward the back of the controller, plug the sensor wiring into the control panel port marked sensor. Place the sensor on the floor, at the base of the water heater, making sure it is located where water is likely to flow. If the water heater is in a pan place the sensor inside of the pan.
- 5a. If the sensor is installed in a metal pan or on a damp surface insert the 4 feet provided into the 4 holes on the corners of the sensor. If additional sensors were purchased locate them in different areas around the water heater.
6. With the screws on the actuator quick connect facing toward the back of the controller, plug the actuator wiring into the control panel port marked valve.

NOTE: When attaching the wires to the actuator quick connect the black wire must match up to the "B" on the control and the red wire must match up to the "R" on the control.
The LeakBreaker will not function correctly if it is not wired correctly.

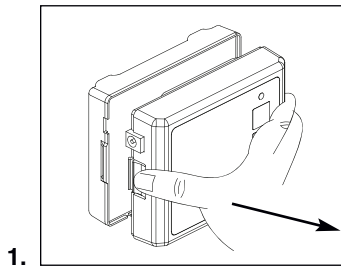
NOTE: If using multiple sensors break off the tab at the end (as shown in Note Fig. 5b) on all sensors except for the last one in the chain. Never remove the tab when using a single sensor or for the last sensor in the chain. See multiple sensor wiring diagram for wiring

Two (2) sets of dry contacts are provided, each set includes normally open and normally closed connections. They can be used to send a signal to any device requiring an open or close signal, such as a security system.

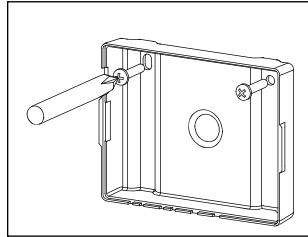
Testing Your Installation

1. Press the open button on the front panel to open the valve, watch the indicator on the top of the valve to make sure the valve rotates to the open position, press the close button to close the valve and watch the indicator on the top of the valve to make sure the valve rotates to the closed position.
2. Close any open fixtures and open any shut-off valves that were closed during the installation the valve. Make sure there are no leaks.
3. With the valve in the open position place the sensor in water. The valve should close, the LED should flash red and the audible alarm should sound. Once the valve closes press the mute button to silence the alarm.
4. To reset the LeakBreaker completely dry off the sensor and then press the open button.

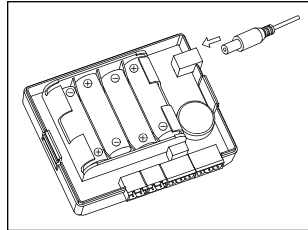
Congratulations on the successful installation of your LeakBreaker!



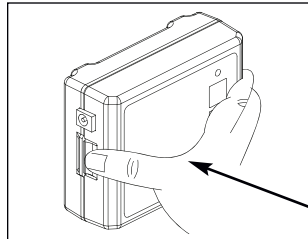
1.



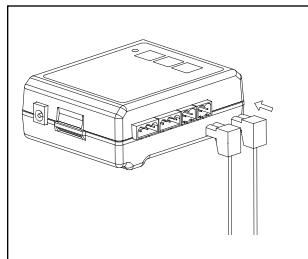
2.



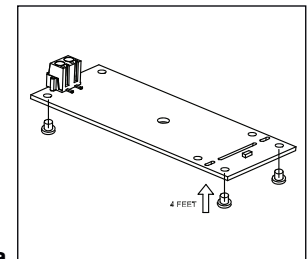
3.



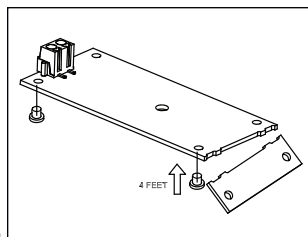
4.



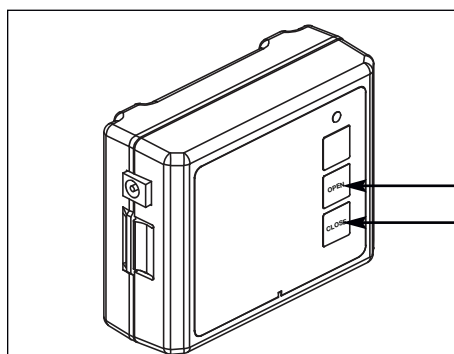
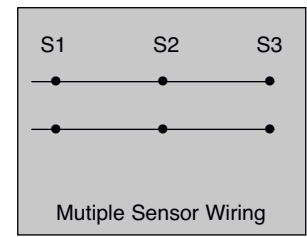
5.



5a.



5b.

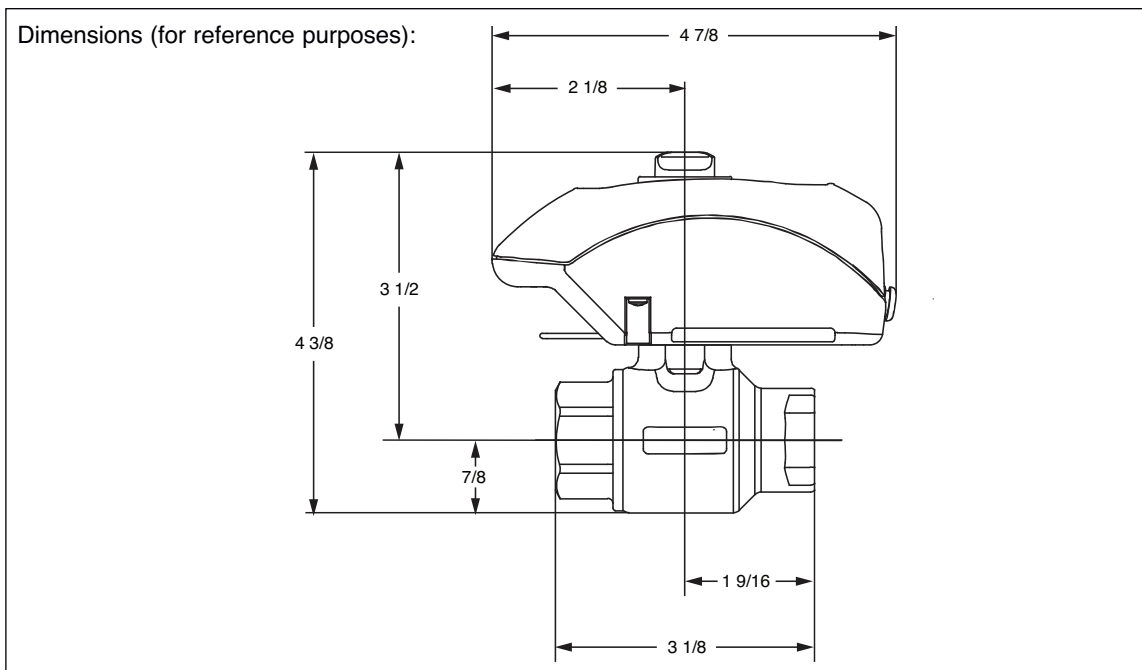


1.

Multi-Function LED and Troubleshooting:

This troubleshooting table is intended as a helpful guide and is not all inclusive. There could be other causes and solutions for a non-functioning product.

LED STATUS POWER	LED STATUS BATTERY ONLY	INDICATES	POSSIBLE CAUSE	POSSIBLE SOLUTION	Audible Alarm
Solid Green	-----	Normal			
-----	1 Green Blink every 10 Seconds (Approximately)	Normal	-----	-----	-----
Solid Green with one red blink	-----	Low Batteries	Low Batteries	Replace batteries	Chirp every 60 second
			Batteries installed incorrectly	Install batteries correctly	Chirp every 60 second
Not illuminated	-----	Power off	Power supply not plugged in	Plug in power supply	-----
-----	Not illuminated	Power off	Batteries installed incorrectly or not at all	Install batteries correctly/ install batteries	-----
		In between cycles	Normal	Wait 15 seconds for indication blinks	
Solid Red with 2 red blinks	Solid dim Red with 2 red blinks	Sensor error	Bad wire connection	Make sure wiring connections are solid and tight and the quick connect is all the way in	Chirp every 60 seconds
				Make sure sensors wired per instructions	Chirp every 60 seconds
Solid Red with 3 red blinks	Solid Dim Red with 3 red blinks	Valve error	Valve is not connected to the control	Connect the valve to the control	Chirp every 60 seconds
			Bad wire connection	Make sure wiring connections are solid and tight and the quick connect is all the way in	Chirp every 60 seconds
Solid Red with 3 red blinks	-----	AC power error	Wrong power supply	Use power supply provided	Chirp every 60 seconds
Continuous Red blinks	Continuous Red blinks	LeakBreaker has Triggered	Sensor has detected water	Determine the water source and correct. Dry the sensor and reset the LeakBreaker. Press the open button to reset.	Constant alarm. Press the mute button to silence the alarm.
Solid Red	Solid Red	LeakBreaker has triggered and the water on the sensor has dried up	Sensor has detected water	Determine the water source and correct. Press the open to reset.	Constant alarm. Press the mute button to silence the alarm.



PRODUCT SPECIFICATIONS	
Maximum Static Pressure	300 PSI (2,100 kPa)
Maximum Shutoff Pressure	125 PSI (875 kPa)
Maximum Ambient Temperature	135°F
Fluid Temperature Range	33° to 220°F, (1° to 105°C)
Service	Potable water
Seat Leakage	Drop-Tight Close-Off
Electrical	Input: 120VAC 60 HZ, Output 6VDC 600mA Power Supply or 4 AA Batteries
Auxiliary Switch Rating	Class 2. 1Amp 24Volts
MATERIALS OF CONSTRUCTION	
Control Panel	
Body	High Performance Engineered Polymer
Actuator	
Body	High Performance Engineered Polymer
Gears	High Performance Internally Lubricated Engineered Polymer
Valve	
Body	Forged Brass
Stem	Brass
Press Ring	Brass
Ball	Brass (Chrome Plated)
Seat	Modified Teflon®
O-rings	Viton®

LIMITED WARRANTY STATEMENT

Taco, Inc. will repair or replace without charge (at the company's option) any product or part which is proven defective under normal use within one (1) year from the date manufacture.

In order to obtain service under this warranty, it is the responsibility of the purchaser to promptly notify the local Taco stocking distributor or Taco in writing and promptly deliver the subject product or part, delivery prepaid, to the stocking distributor. For assistance on warranty returns, the purchaser may either contact the local Taco stocking distributor or Taco. If the subject product or part contains no defect as covered in this warranty, the purchaser will be billed for parts and labor charges in effect at time of factory examination and repair.

Any Taco product or part not installed or operated in conformity with Taco instructions or which has been subject to misuse, misapplication, the addition of petroleum-based fluids or certain chemical additives to the systems, or other abuse, will not be covered by this warranty.

If in doubt as to whether a particular substance is suitable for use with a Taco product or part, or for any application restrictions, consult the applicable Taco instruction sheets or contact Taco at [401-942-8000].

Taco reserves the right to provide replacement products and parts which are substantially similar in design and functionally equivalent to the defective product or part. Taco reserves the right to make changes in details of

design, construction, or arrangement of materials of its products without notification.

TACO OFFERS THIS WARRANTY IN LIEU OF ALL OTHER EXPRESS WARRANTIES. ANY WARRANTY IMPLIED BY LAW INCLUDING WARRANTIES OF MERCHANTABILITY OR FITNESS IS IN EFFECT ONLY FOR THE DURATION OF THE EXPRESS WARRANTY SET FORTH IN THE FIRST PARAGRAPH ABOVE.

THE ABOVE WARRANTIES ARE IN LIEU OF ALL OTHER WARRANTIES, EXPRESS OR STATUTORY, OR ANY OTHER WARRANTY OBLIGATION ON THE PART OF TACO.

TACO WILL NOT BE LIABLE FOR ANY SPECIAL, INCIDENTAL, INDIRECT OR CONSEQUENTIAL DAMAGES RESULTING FROM THE USE OF ITS PRODUCTS OR ANY INCIDENTAL COSTS OF REMOVING OR REPLACING DEFECTIVE PRODUCTS.

This warranty gives the purchaser specific rights, and the purchaser may have other rights which vary from state to state. Some states do not allow limitations on how long an implied warranty lasts or on the exclusion of incidental or consequential damages, so these limitations or exclusions may not apply to you.

