

Z-Vent

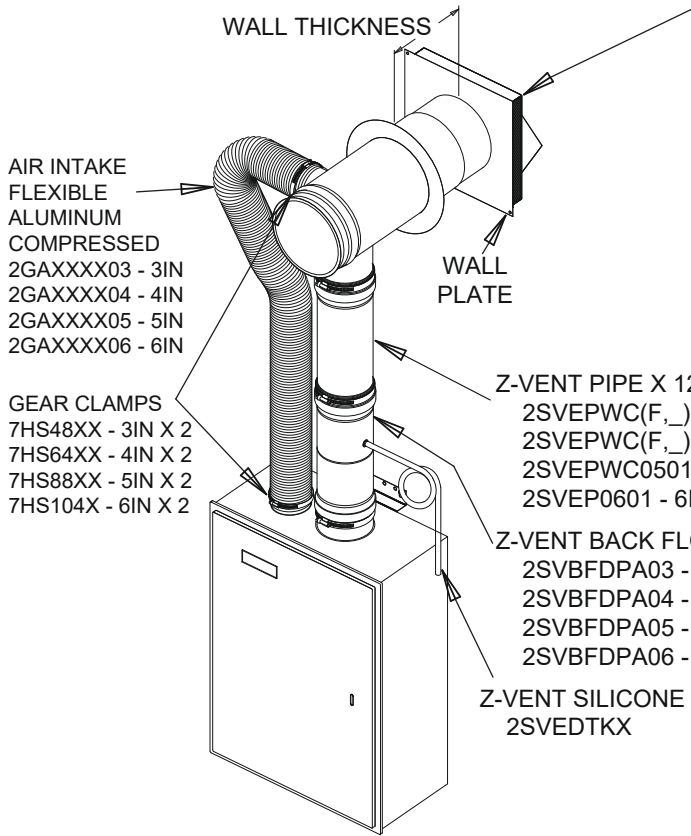
Coaxial Horizontal Termination

Kit: 2SVSHTCKIT_ _ _



CONTENTS INCLUDES

(1 EACH IN APPROPRIATE DIAMETER EXCEPT WHERE NOTED):



2GAXXXX03 - 3IN
2GAXXXX04 - 4IN
2GAXXXX05 - 5IN
2GAXXXX06 - 6IN

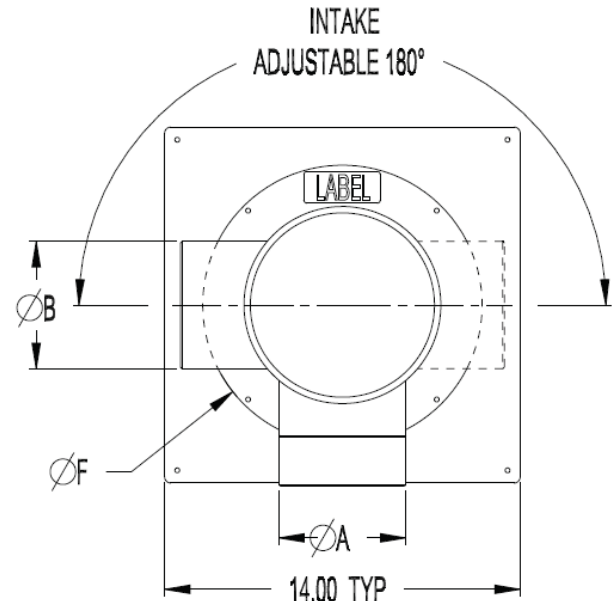
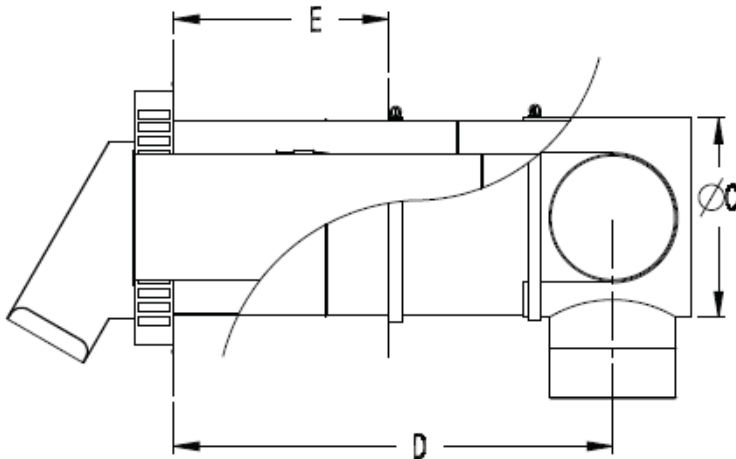
7HS48XX - 3IN X 2
7HS64XX - 4IN X 2
7HS88XX - 5IN X 2
7HS104X - 6IN X 2

2SVEPWC(F_)0301 - 3IN
2SVEPWC(F_)0401 - 4IN
2SVEPWC0501 - 5IN
2SVEP0601 - 6IN

2SVBFDPA03 - 3IN
2SVBFDPA04 - 4IN
2SVBFDPA05 - 5IN
2SVBFDPA06 - 6IN

2SVEDTKX

Coaxial Termination	Vent Diameter "A" (inches)	Air Intake Diameter "B" (inches)	Wall Drill Diameter Minimum "C" (inches)	Back of Wall Plate to Centerline of Vent/Air Intake "D" Min-Max (inches)	Adjustable Wall Thickness Maximum "E" (inches)	Trim Diameter "F" (inches)
2SVSHTC03S	3	3	5	8-12	9	9
2SVSHTC03	3	3	5	12-21	17.5	9
2SVSHTC43S	4	3	6	8-12	9	10
2SVSHTC43	4	3	6	12-21	17.5	10
2SVSHTC04S	4	4	7	8-12	9	10
2SVSHTC04	4	4	7	12-21	17.5	10
2SVSHTC05S	5	5	8	11-17	12	11
2SVSHTC05	5	5	8	17-21	17.5	11
2SVSHTC06S	6	6	9	11-17	12	12
2SVSHTC06	6	6	9	17-21	17.5	12



COAXIAL TERMINATION (SEE TABLE)

Notes:

1. Coaxial Termination can be purchased separately.
2. Air intake "B" can accept flexible aluminum duct or single wall metal pipe (C-vent) or PVC.

Canada: 452 Attwell Drive, Etobicoke, ON M9W 5C3 tel: 416.679.0045 • fax: 416.679.0051

U.S.A.: 20 Commerce Park North, Bedford, New Hampshire 03110 tel: 603.669.5136 • fax: 603.669.0309 • 800.654.5600

rev: 06/2019